

The home of the turntable

THE VINYL ENGINE®

For more turntable manuals and setup information
please visit www.vinylengine.com

SME

PRECISION GRAMOPHONE EQUIPMENT

Spare Parts List

SERIES II & SERIES II IMPROVED

C O N T E N T S

1. Spare parts list 1500 - 1600 - 1700.
2. Spare parts list 1800 - 1900 - AUDIO LEADS.

4. Illustrated assemblies SERIES II IMPROVED MODELS 3009 and 3009/S2.
- 4a. Illustrated assemblies SERIES II IMPROVED MODELS 3009 and 3009/S2
(incorporating latest design changes).
5. Illustrated assemblies SERIES II MODELS 3009 and 3009 HE.
6. Illustrated assemblies SERIES II MODELS 3012 and 3012 HE.

SPARE PARTS LIST

SERVICE SHEET 1

Components which are not listed form part of an assembly and are not offered separately.

Refer to Service Sheets 3,4,4a and 5 for illustrated assemblies.

*Denotes model(s) to which items are fitted.

'R' Denotes re-designed - see Design Change notices and Service Sheet 4a for details.

'X' Denotes the parts no longer manufactured and enquiries regarding the possible availability from existing stocks should be made to the factory before ordering.

| NEW PART NO. | DESCRIPTION | SERIES II | | | | SERIES II IMPROVED | |
|--------------|-----------------------------|-----------|--------|------|--------|--------------------|---------|
| | | 3009 | 3009HE | 3012 | 3012HE | 3009 | 3009/S2 |
| 1500 | PILLAR ASSEMBLY | * | * | * | * | * | * |
| 1501 | Yokehead | * | * | * | * | * | * |
| X 1502 | Bias lever | * | * | * | * | | |
| 1503 | Bias lever | | | | | * | * |
| 1504 | 4BA x 3/16" setscrew | * | * | * | * | * | * |
| 1505 | 6BA x 1/4" Inst/hd.screw | * | * | * | * | * | * |
| 1506 | Retaining Ring | * | * | * | * | * | * |
| R. 1600/T | CONTROL BRACKET ASSEMBLY | * | * | * | * | * | * |
| R. 1600/M | CONTROL BRACKET ASSEMBLY | * | * | * | * | * | * |
| 1601 | Arm rest and bracket | * | * | * | * | * | * |
| 1602 | Cam/lever/knob | * | * | * | * | * | * |
| 1603 | Circlip | * | * | * | * | * | * |
| 1604 | 4BA x 5/16" setscrew | * | * | * | * | * | * |
| 1605 | 6BA x 3/16" capscrew | * | * | * | * | * | * |
| 1606 | Allen key to suit 6BA | | | | | | |
| 1607 | 8BA x 3/16" capscrew | | | | | * | * |
| 1608 | Arm lift | | | | | * | * |
| 1609 | Arm rest catch + 2 dowels | | | | | * | * |
| 1610 | Silicone fluid 1.75 ml.vial | | | | | | |
| R. 1700 | BASE ASSEMBLY | | | | | * | * |
| X 1700/9 | BASE ASSEMBLY | * | | | | | |
| X 1700/9HE | BASE ASSEMBLY | | * | | | | |
| X 1700/12 | BASE ASSEMBLY | | | * | | | |
| X 1700/12HE | BASE ASSEMBLY | | | | * | | |
| 1701 | Bedplate | * | * | * | * | * | * |
| R. 1702 | Base 3009 | * | * | | | * | * |
| X 1703 | Base 3012 | | | * | * | | |
| 1704 | Base washer | * | * | * | * | * | * |
| 1705 | Base clamp bolt | * | * | * | * | * | * |
| 1706 | Base clamp nut | * | * | * | * | * | * |
| 1707 | Bedplate grommet | * | * | * | * | * | * |
| 1708 | Output socket | * | * | * | * | * | * |
| 1709 | Terminal spacer | * | * | * | * | * | * |
| X 1710 | 6BA x 2" screw | * | | * | | | |
| 1711 | 6BA x 1.88" screw | | * | | * | * | * |
| 1712 | Ground socket | * | * | * | * | * | * |
| X 1713 | Screening can | * | | * | | | |
| X 1714 | Screening can | | * | | * | | |
| R. 1715 | Screening can | | | | | * | * |
| X 1716 | Can clip | * | * | * | * | | |
| 1717 | Output plug and shroud | * | * | * | * | * | * |
| 1718 | Earth tag | * | * | * | * | * | * |
| 1719 | Spacing washer | * | * | * | * | | |
| 1720 | 4BA x 3/16" setscrew | * | * | * | * | | |
| 1722 | No. 2 x 3/8" woodscrews | * | * | * | * | * | * |
| X 1723 | H.E. Angle bracket | | * | | * | | |
| R. 1724 | H.E. Angle bracket | | | | | * | * |
| 1725 | 6BA x 1/4" Ch/hd. screw | | * | | * | * | * |
| 1726 | 8BA x 3/16" capscrew | | | | | * | * |
| 1727 | 10BA x 1/8" Inst/hd. screw | | | | | * | * |

Components which are not listed form part of an assembly and are not offered separately.

Refer to Service Sheets 3,4,4a and 5 for illustrated assemblies.

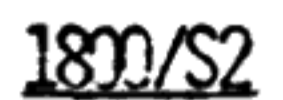
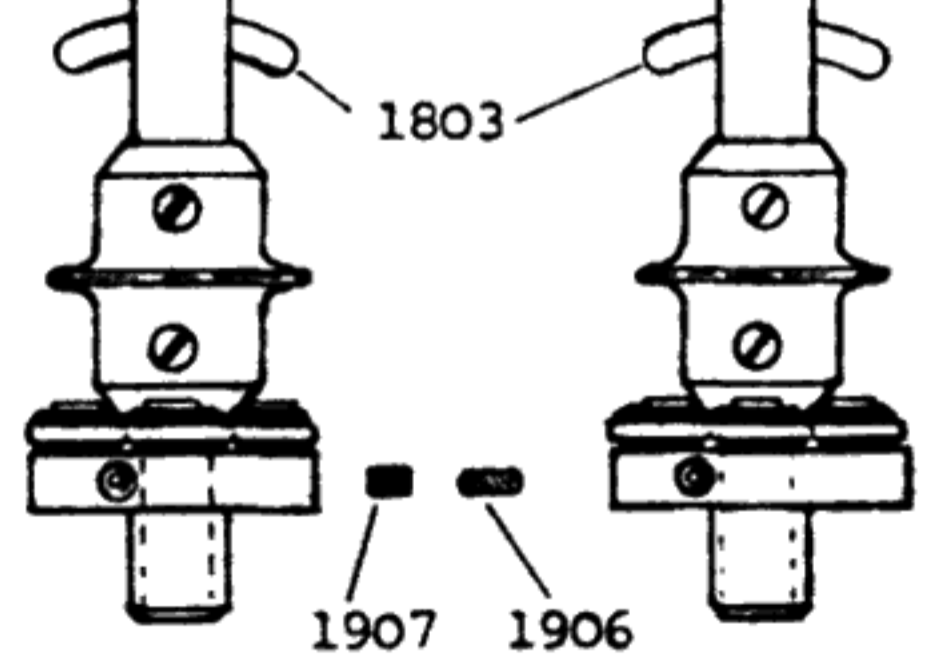
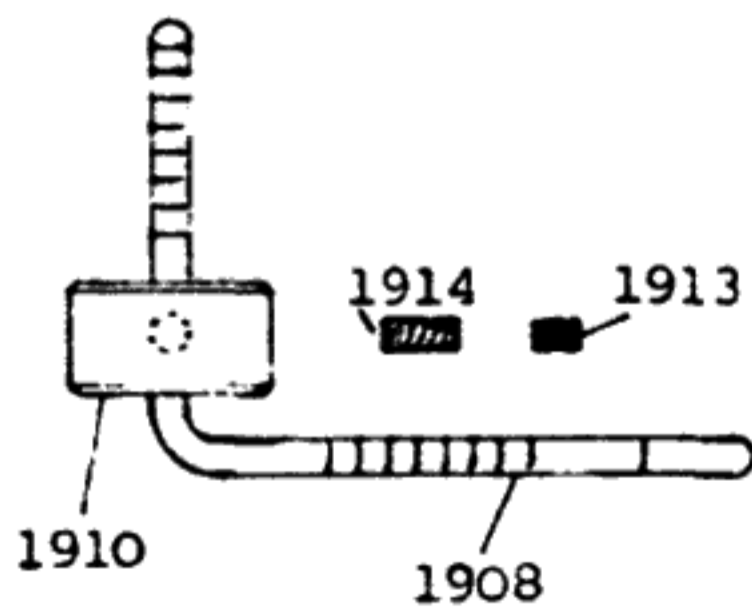
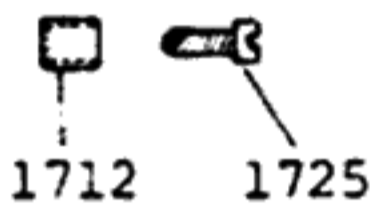
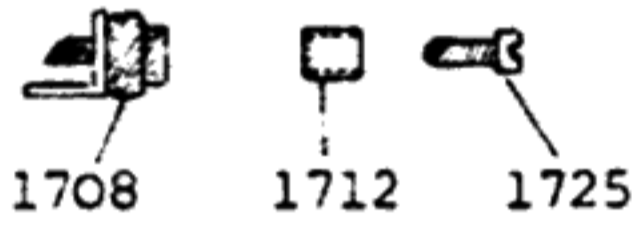
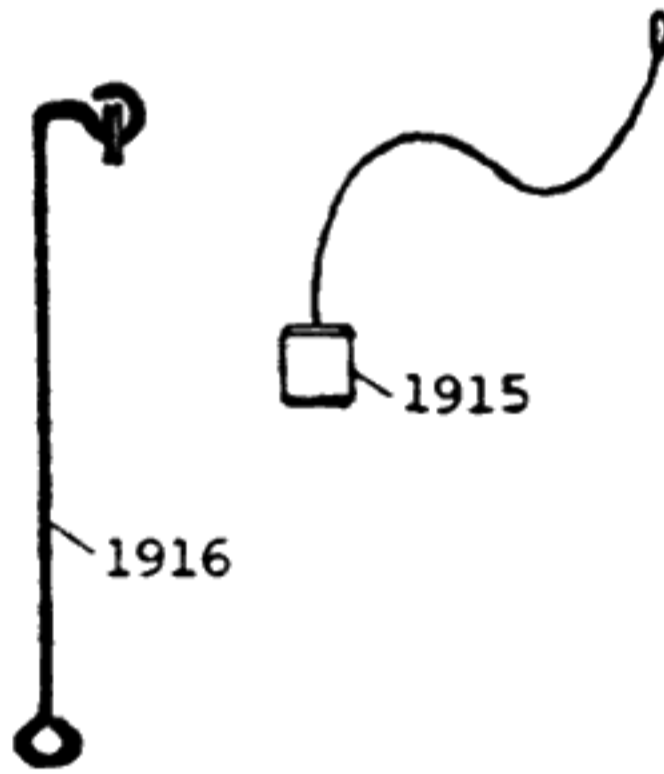
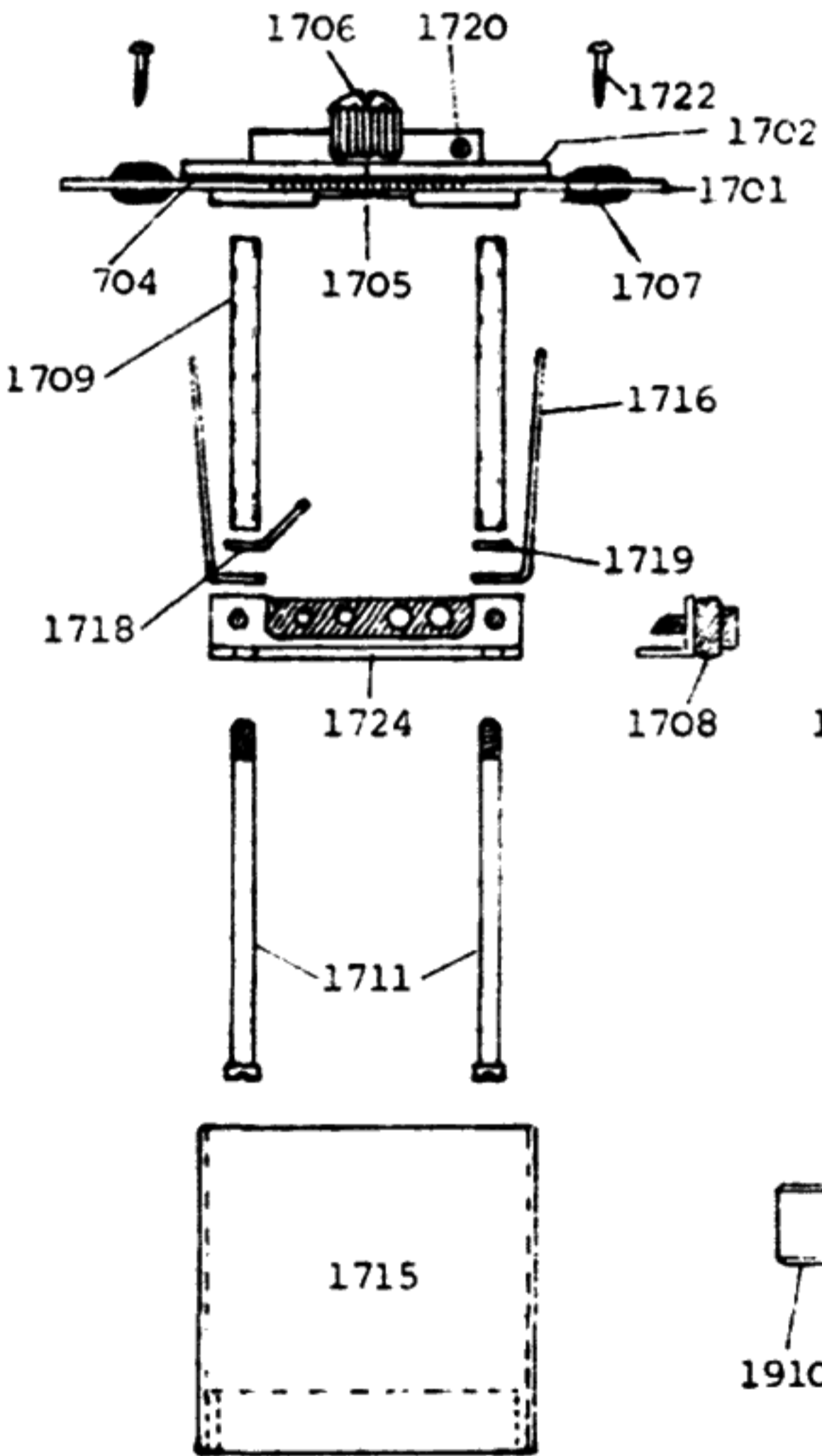
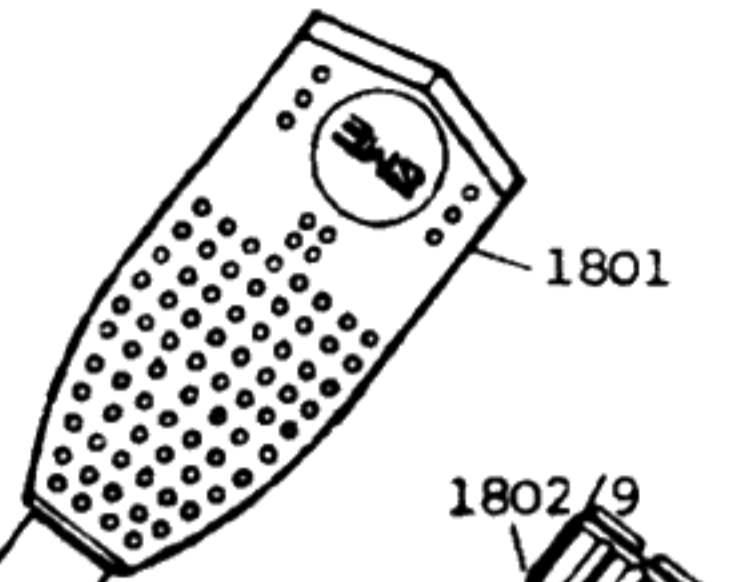
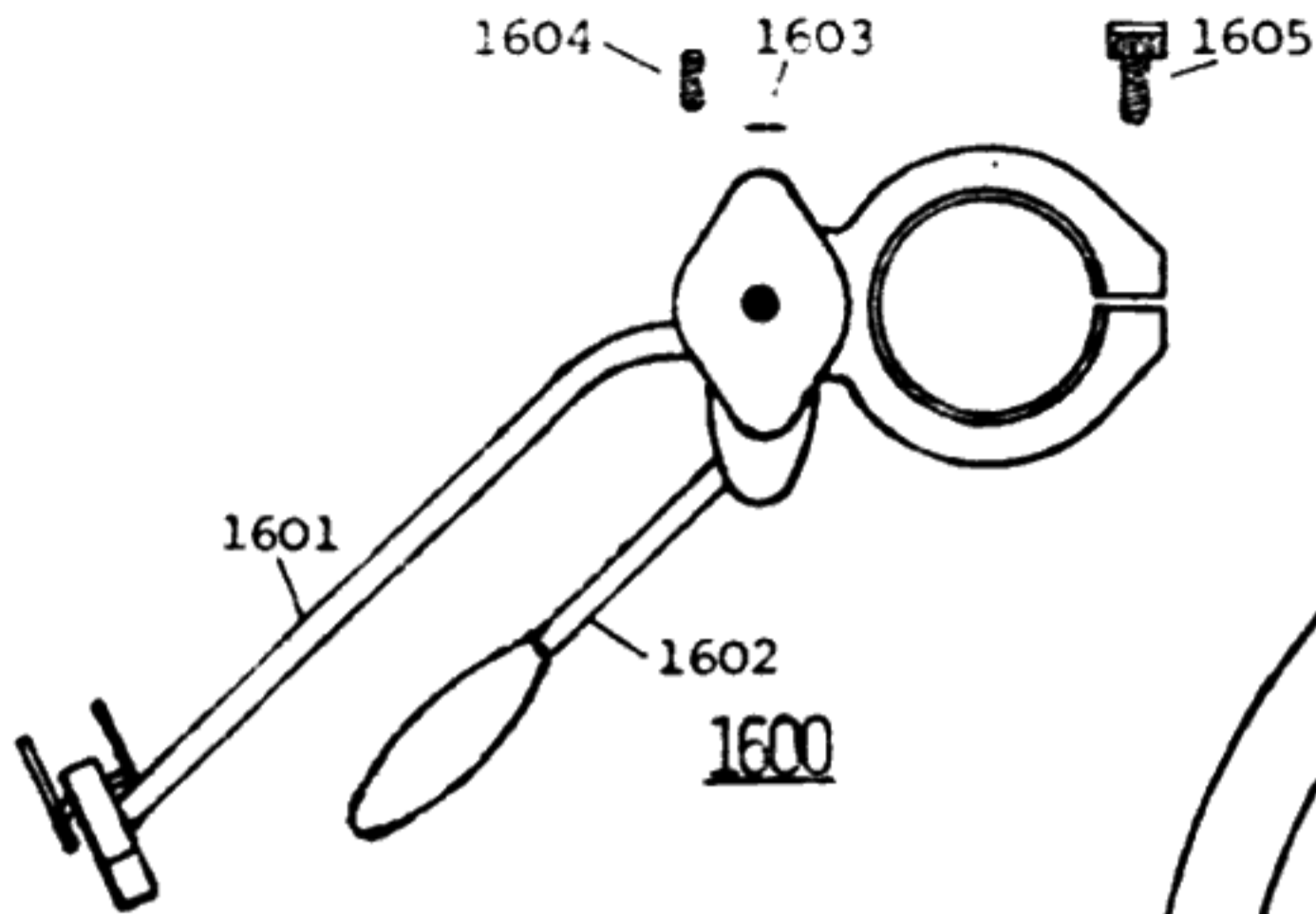
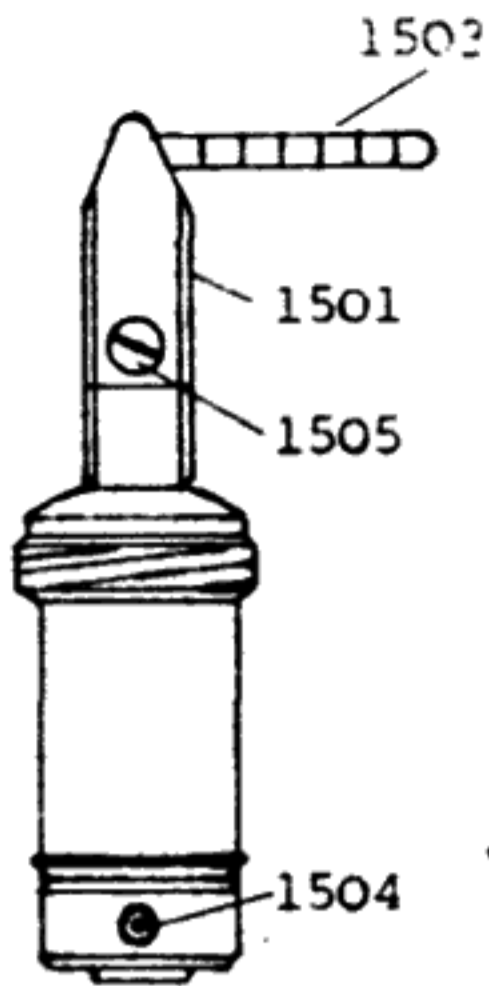
*Denotes model(s) to which items are fitted.

'R' Denotes re-designed - see Design Change notices and Service Sheet 4a for details.

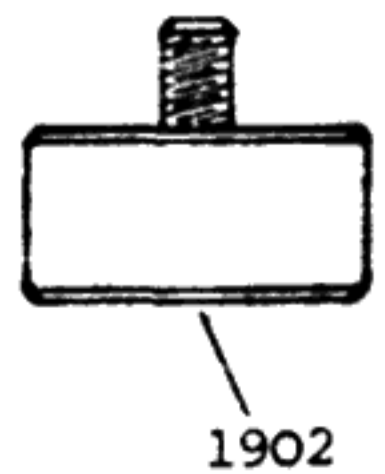
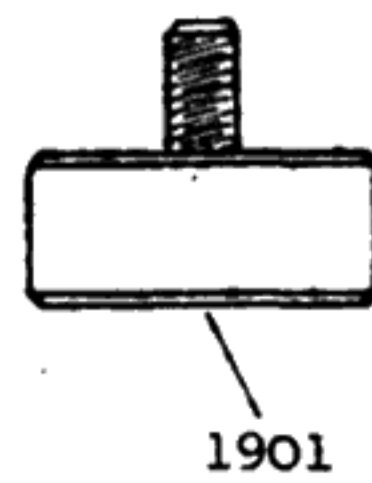
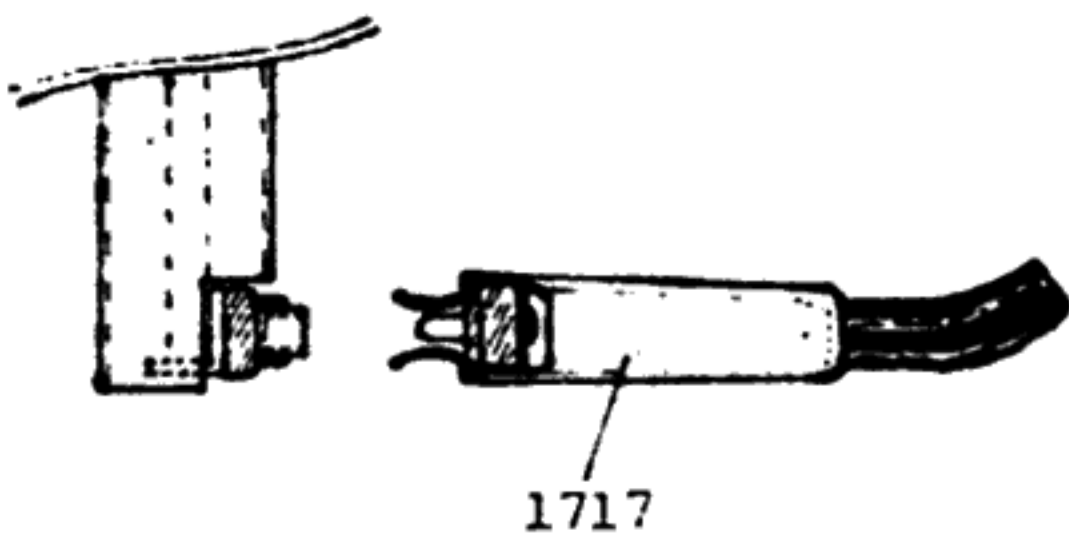
'X' Denotes the parts no longer manufactured and enquiries regarding the possible availability from existing stocks should be made to the factory before ordering.

| NEW PART NO. | DESCRIPTION | SERIES II | | | | SERIES II IMPROVED | |
|-----------------|-----------------------------------|-----------|--------|------|--------|--------------------|---------|
| | | 3009 | 3009HE | 3012 | 3012HE | 3009 | 3009/S1 |
| R.1800 | TONE ARM ASSEMBLY | | | | | * | |
| R.1800/S2 | TONE ARM ASSEMBLY | | | | | | * |
| X 1800 | TONE ARM ASSEMBLY | | | | | * | |
| X 1800/S2 | TONE ARM ASSEMBLY | | | | | | * |
| X 1800/9 | TONE ARM ASSEMBLY | * | * | | | | |
| X 1800/12 | TONE ARM ASSEMBLY | | | * | * | | |
| 1801 | Non-detachable shell | | | | | * | |
| 1802/9 | Arm socket | * | * | | | | * |
| 1802/12 | Arm socket | | | * | * | | |
| X 1803 | Track | * | * | * | * | | |
| 1805 | Cartridge fixing screws | * | * | * | * | * | * |
| 1806 | Shell tails and tags | * | * | * | * | | * |
| 1807 | Finger lift H.1 | * | * | * | * | * | * |
| 1901 | Balance weight | | | | | * | |
| 1902 | Balance weight | | | | | | * |
| X 1903/9 | Balance weight | * | * | | | | |
| X 1903/12 | Balance weight | | | * | * | | |
| X 1904 | Nylon insert setscrew | * | * | * | * | | |
| 1905 | 4 BA x 3/16" setscrew | * | * | * | * | | |
| 1906 | 4 BA x 1/8" setscrew | | | | | * | * |
| 1907 | Wayrod brass slug | * | * | * | * | * | * |
| 1908 | Wayrod | | | | | * | * |
| X 1909/9 | Wayrod | * | * | | | | |
| X 1909/12 | Wayrod | | | * | * | | |
| 1910 | Rider weight | | | | | * | * |
| X 1911 | Rider weight front | * | * | * | * | | |
| X 1912 | Rider weight rear | * | * | * | * | | |
| 1913 | Nylon plunger | * | * | * | * | * | * |
| 1914 | 1/8" dia. spring | * | * | * | * | * | * |
| 1915 | Bias weight | * | * | * | * | * | * |
| R.1916 | Bias guide | * | * | * | * | * | * |
| X 1940 | Instruction book | * | * | * | * | | |
| 1941 | Instruction book | | | | | * | * |
| X 1942 | Mounting template | * | * | * | * | | |
| 1943 | Mounting template | | | | | * | * |
| 1944 | Alignment protractor | * | * | * | * | * | * |
| 1945 | Allen key 1/16" A/F | * | * | * | * | * | * |
| 1946 | Nylon spanner (Base clamp nut) | * | * | * | * | * | * |
| L2 | 2' audio lead (PHONO) | * | * | * | * | * | * |
| L2D | 2' audio lead (DIN) | * | * | * | * | * | * |
| L4 | 4' audio lead (PHONO) | * | * | * | * | * | * |
| L4D | 4' audio lead (DIN) | * | * | * | * | * | * |
| L6 | 6' audio lead (PHONO) | * | * | * | * | * | * |
| L6D | 6' audio lead (DIN) | * | * | * | * | * | * |

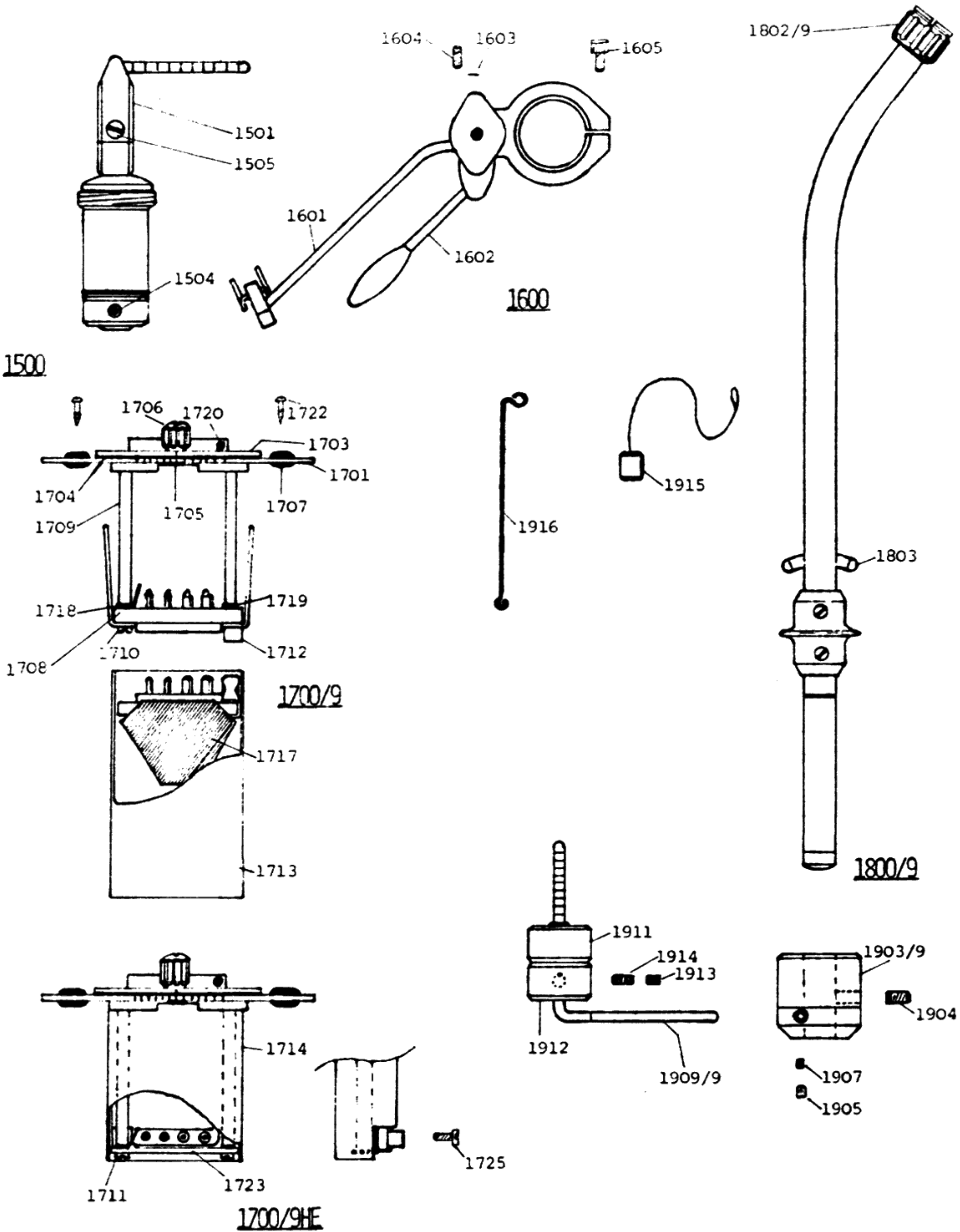
SERIES II IMPROVED MODELS 3009 and 3009/S2



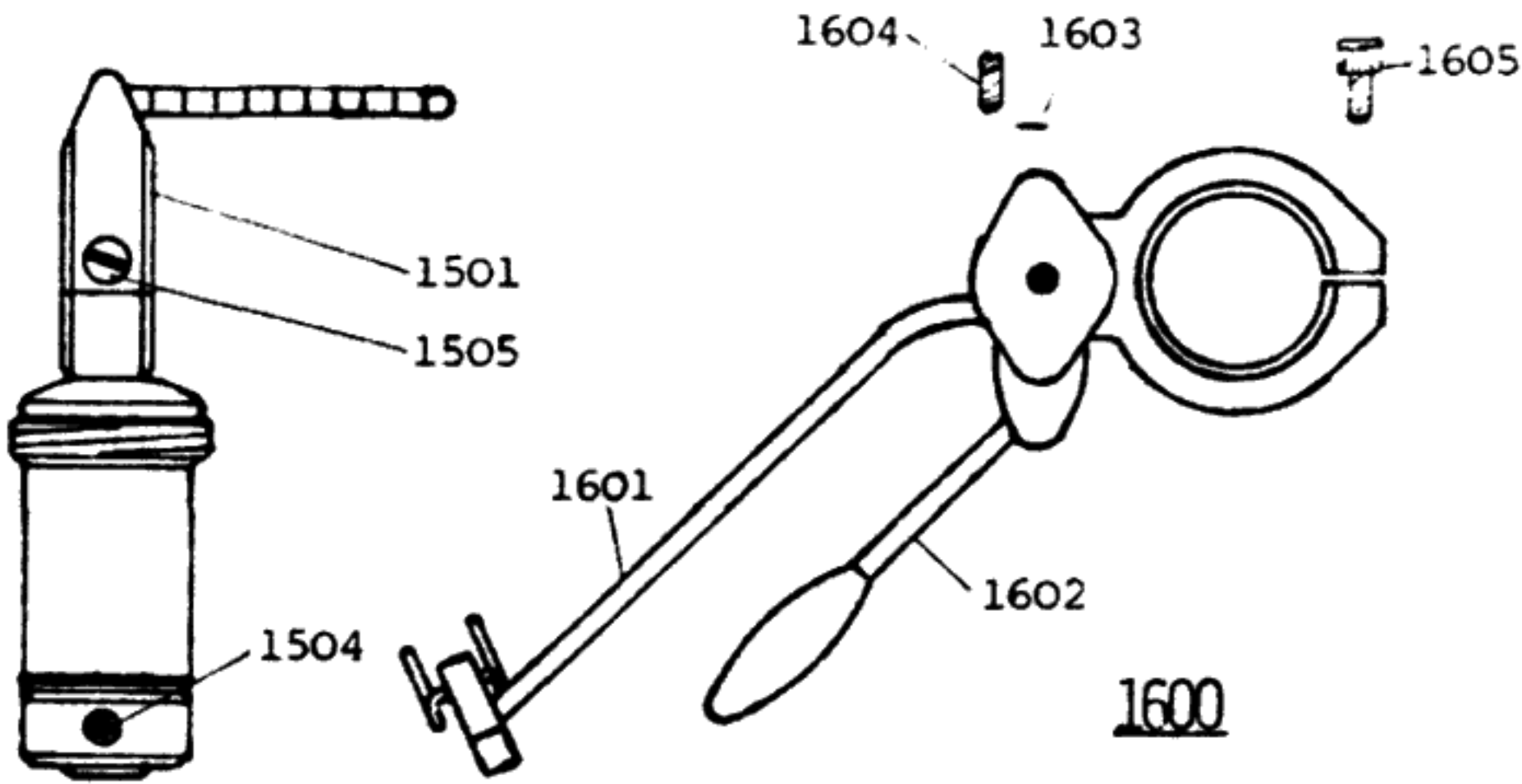
1700



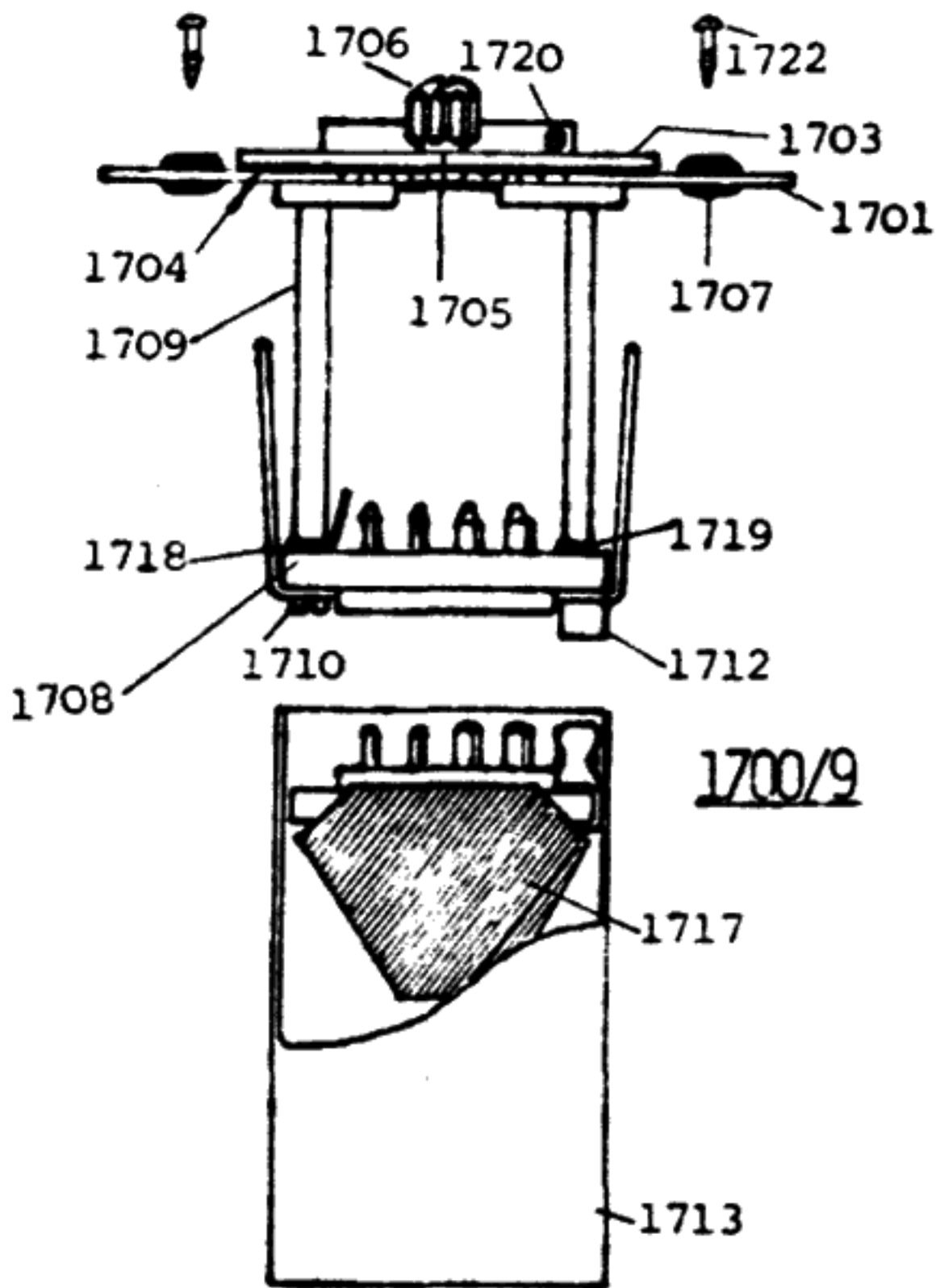
SERIES II MODELS 3009 and 3009 HE



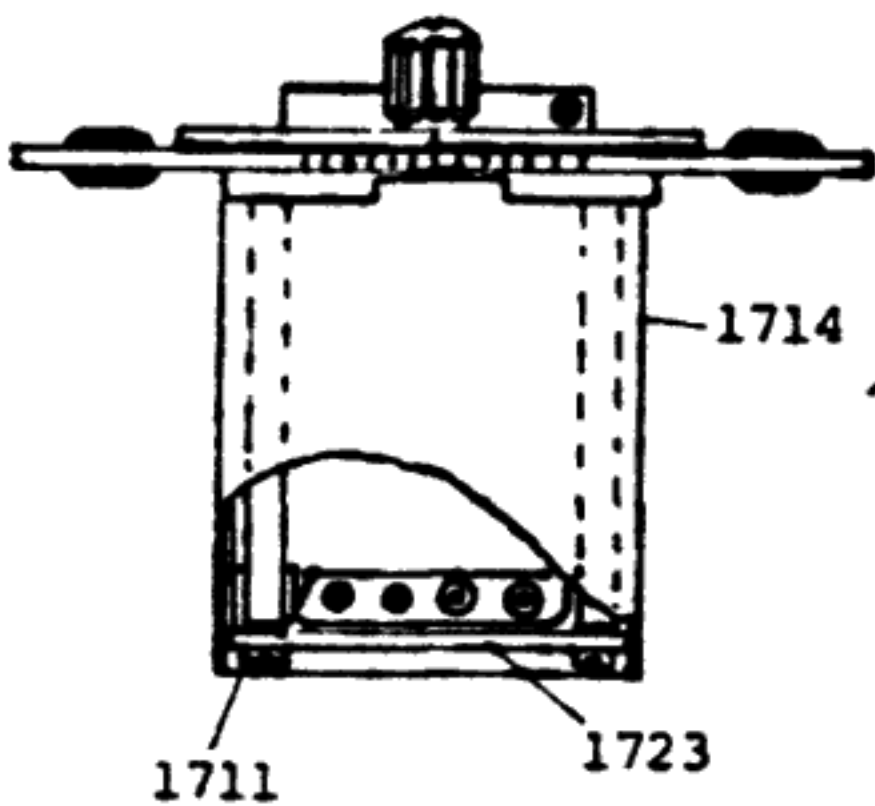
SERIES II MODELS 3012 and 3012 HE



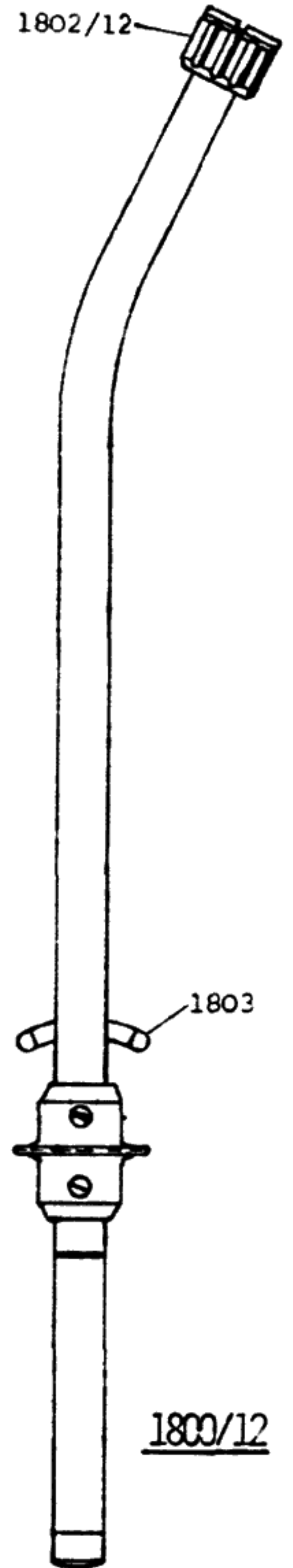
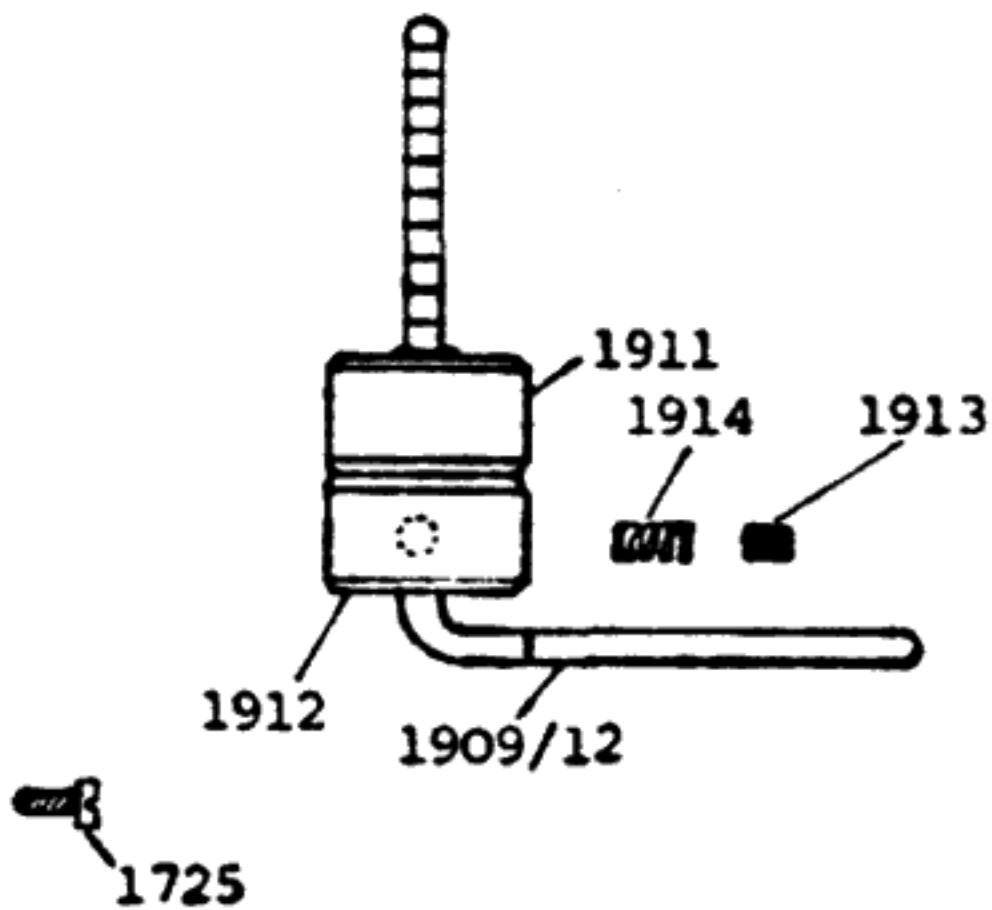
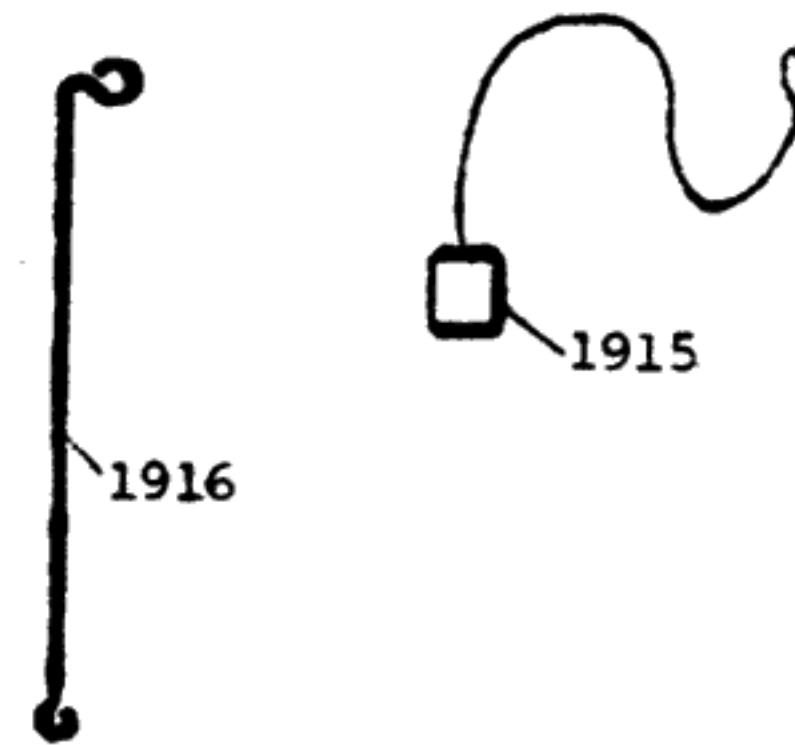
1500



1700/9



1700/9HE



1800/12

