

The home of the turntable

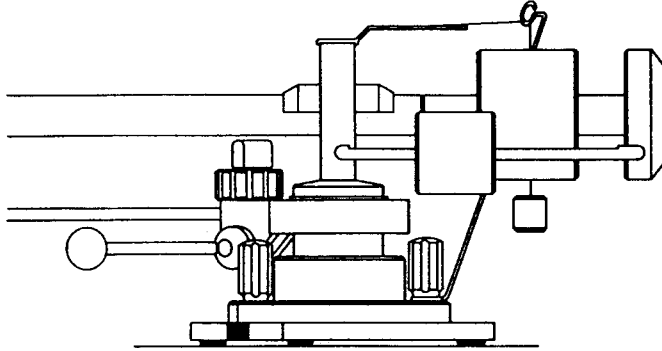
THE VINYL **ENGINE**®

For more turntable manuals and setup information
please visit www.vinylengine.com

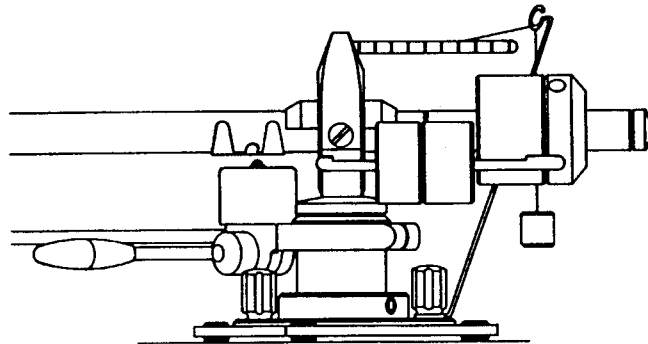
SME

In order to handle your recent service enquiry it will be necessary to identify your present arm from the drawings.

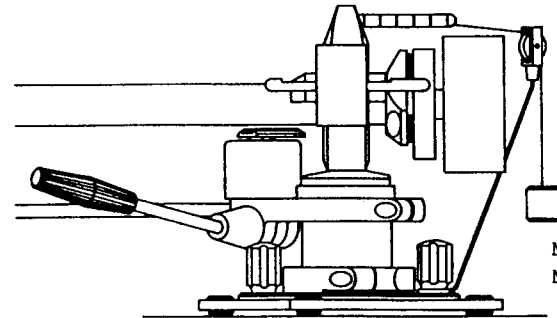
Please let us know which model your arm is and restate your enquiry.



SERIES I MODEL 3009
MODEL 3012



SERIES II MODEL 3009
MODEL 3012
SERIAL No.



SERIES II IMPROVED
MODEL 3009 NON-DETACHABLE SHELL
MODEL 3009/S2 DETACHABLE SHELL
SERIAL No.
