



QUAD

SERVICE MANUAL

QC . TWENTY FOUR

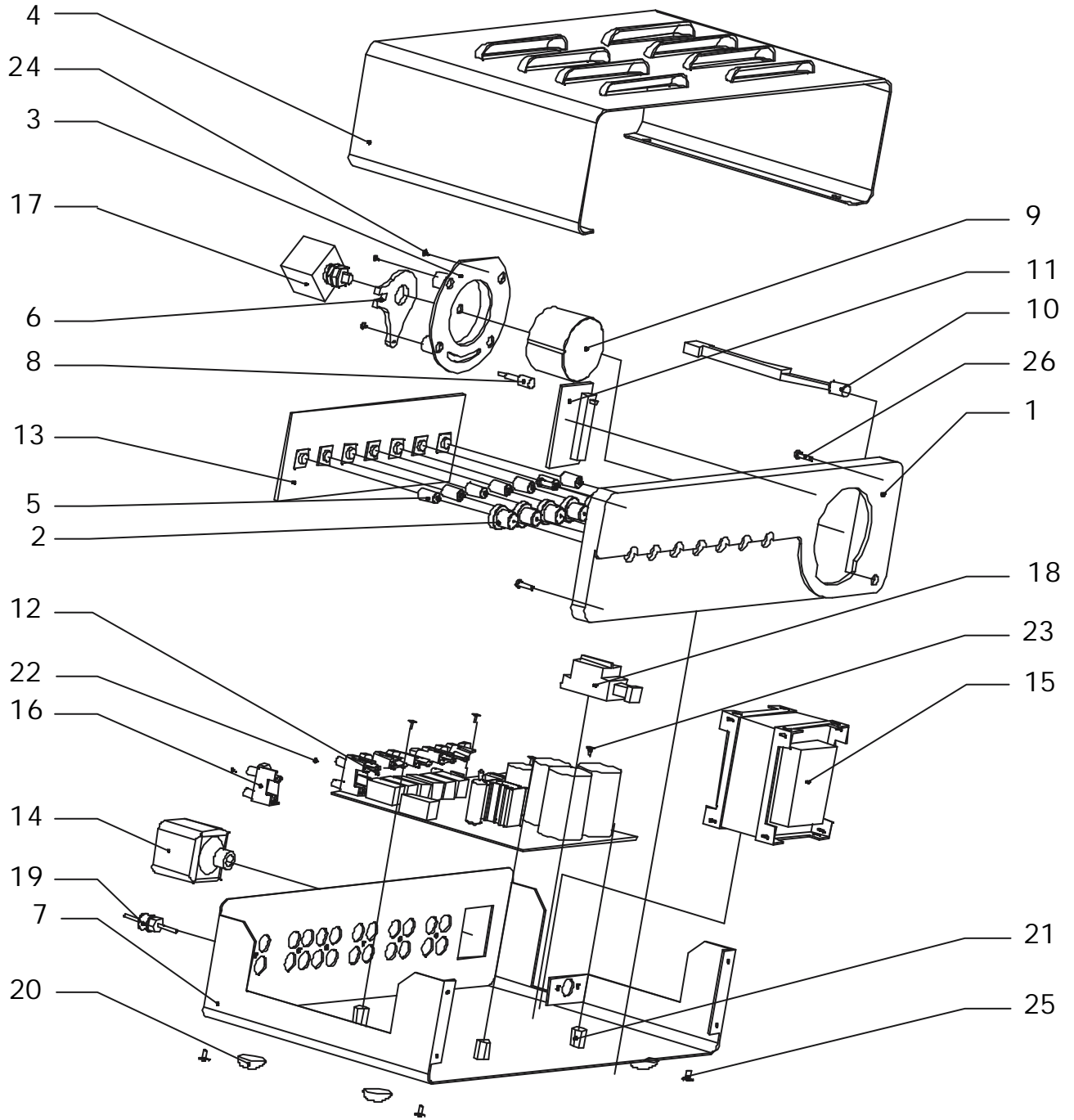
QC . TWENTY FOUR

1. SPECIFICATIONS

Signal/noise ratio	-68dB(-83.5dB)
Distortion	0.6%
Abruption	-33.5dB
Dimensions	90mm ×302mm× 203mm(H × W × D)
Weight	3.4Kg

2. ASSEMBLY SKETCH

QC TWENTY FOUR

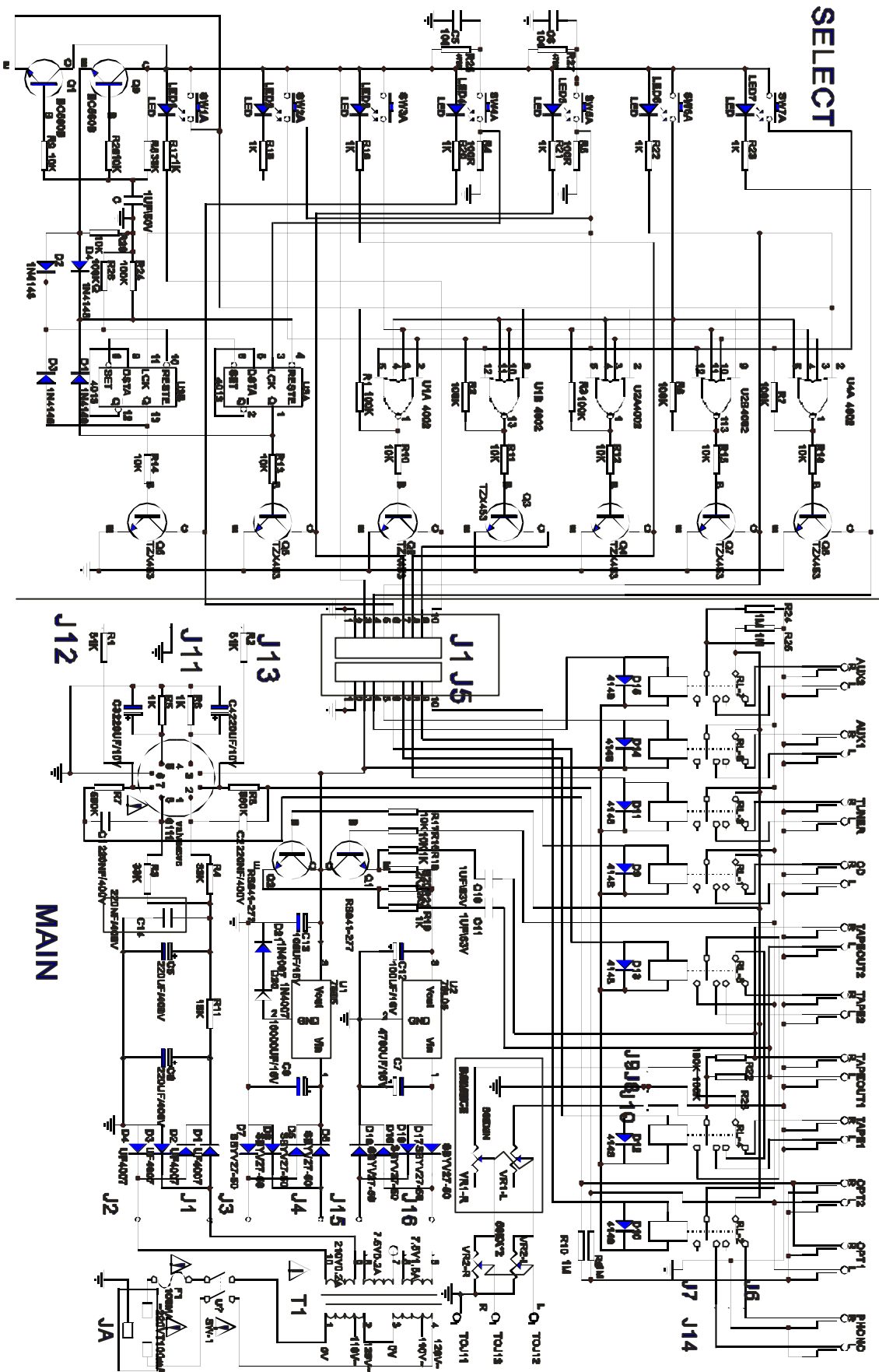


3. ASSEMBLY PARTS LIST

QC TWENTY FOUR

R/P	P/N	PART NAME	DESCRIPTION	QUA	U/P(GBP)
1	300-116000001	FRONT PANEL		1	33.783
2	215-116000001	KNOB		7	0.25
3	282-116000001	DIAL		1	0.25
4	302-116000001	TOP COVER		1	13.16
5	207-116000001	CLEAR KNOB		7	0.444
6	283-116000001	SALVER		1	0.25
7	303-118100001	BOTTOM COVER		1	14
8	215-116000002	KNOB		1	0.566
9	213-116000001	KNOB		1	8
10	209-118100001	POLE		1	1.583
11	088-1181001500	BALANCE P.C.B		1	20
12	088-116000000	MAINBOARD P.C.B		1	266
13	088-1160002000	SELECT P.C.B		1	50.7
14	044-040000000	SOCKET POWER		1	2.5
15	022-1067802093	TRANSFORMER	D8675	1	20.739
16	051-470000000	AUDIO TERMINALS	HSP-212 VRED BOTT	1	1.268
17	020-503220925	ROTARY POTENTIOMETE	04 1* 50KA* 2ALFS	1	1.268
18	041-118200000	SWITCH	SOLTEAM PS 3-22	1	2.51
19	046-320000000	TERMINALS		1	0.476
20	226-016000821	FOOT		4	0.367
21	307-130000201	CUPER POLE	M3*20Ni	4	0.335
22	526-301200811A	SCREW	SP(+)*3*9DC H B Zn	6	0.25
23	533-3001060301A	SCREW	MP(+)*3*6ZnD	16	0.25
24	533-3001050801A	SCREW	MT(+)*3*5ZnD	4	0.25
25	536-4001080301A	SCREW	MB(+)*4*8ZnD	9	0.25
26	539-4001080603A	SCREW	MC(*)*4*8NiD	4	0.25

4. SCHEMATIC DIAGRAM



QC TWENTY FOUR

5. ELECTRONIC PARTS LIST

QC TWENTY FOUR

R/P	P/N	PART NAME	DESCRIPTION	U/P(GBP)	REF/N
	088-1181001500	BALANCE P.C.B			
1	053-1160001600	P.C.B		28.12	
2	001-5103105010	RESISTORS	51 K 1/4W 5%	0.25	R1,2
3	001-3303105050	RESISTORS	33 K 1/4W 5%	0.25	R3,4
4	001-1002105010	RESISTORS	1K 1/4W 5%	0.25	R5,6,18,19
5	001-5604105050	RESISTORS	560K 1/4W 5%	0.25	R7,8
6	001-1005105010	RESISTORS	1M 1/4W 5%	0.25	R9,10,24,25
7	001-1503105050	RESISTORS	15 K 1/4W 5%	0.25	R11
8	001-1003105050	RESISTORS	10K 1/4W 1%	0.25	R16,17
9	001-2202105050	RESISTORS	2.2K 1/4W 5%	0.25	R20,21
10	001-1004105050	RESISTORS	100K 1/4W 5%	0.25	R22,23
11	014-2240511001	CAPACITOR	220nF 10%400V	1.081	C1,2
12	014-1050200028	CAPACITOR	1uF 63V 10%	1.905	C10,11
13	006-2214061223	CAPACITOR	220uF10V20%6*12	0.25	C3,4
14	006-1004051163	CAPACITOR	220uF400V20%25*40	4.02	C5,6
15	006-1014061233	CAPACITOR	100uF16V20%6*12	0.142	C12,13
16	006-4724152633	CAPACITOR	4700uF16V20%15*26	1.776	C7
17	006-1034203633	CAPACITOR	10000uF16V20%20*36	1.33	C9
18	067-1104007000	S.M. BARRIER DIODES	UF4007	0.68	DI~4
19	067-2202750000	S.M. BARRIER DIODES	SBYV 27-50	0.42	D5~8,16~9
20	067-1104148000	S.M. BARRIER DIODES	1N4148	0.25	D9~15
21	067-2204007000	S.M. BARRIER DIODES	1N4007	0.25	D20,21
22	018-3700010115	S.M. TRANSISTORS	VN10LP	0.42	Q1,2
23	017-0300000000	IC	7805 TO-220	0.32	U1
24	017-0640000000	IC	79L05	0.31	U2
25	819-0611111000	RADIO TUBE	6111	2.59	V1
26	024-1050101016	RELOYS	G5V-2-H1	1.35	RLY1~7

5. ELECTRONIC PARTS LIST

(CONTINUE)

QC TWENTY FOUR

R/P	P/N	PART NAME	DESCRIPTION	U/P(GBP)	REF/N
27	051-440000000	AUDIO TERMINAL	HSP-214 VJB423 BW-RR WW -G	2.703	AUX1,AUX2,CD, OPTI,OPT2,TAPE OUT 1,TAPE1,TAP E2,TUNER
28	086-190000000	TERMINALS	TURRETTAGS	0.68	J1~4,6~20
29	048-280000000	MIC	AMP10WAY S KT	1.3	J1
	088-116000200	SELECT P.C.B			
1	053-1160001620	P.C.B		11.068	PCB1
2	001-1004205010	RESISTORS	100K 1/4W 1%	0.25	R1,2,3,6,7,24,26
3	001-1001205010	RESISTORS	100R 1/4W 1%	0.25	R4,5
4	001-3303205010	RESISTORS	33 K 1/4W 1%	0.25	R8
5	001-1003205010	RESISTORS	10 K 1/4W 1%	0.25	R9~16,28,29
6	001-1002205010	RESISTORS	1K 1/4W 1%	0.25	R17~23
7	001-4704205010	RESISTORS	470R 1/4W 1%	0.25	R25,27
8	009-1040508110	RESISTORS	100nF 50V 20%	0.25	C1~6
9	009-1050508110	RESISTORS	1uF 50V 20%	0.405	C8
10	067-1104148000	S.M.BARRIER DIODES	1N4148	0.25	D1~4
11	018-1400560115	S.M. TRANSISTORS	BC560B	0.418	Q1,9
12	018-3200453115	S.M. TRANSISTORS	ZTX453	0.31	Q2~8
13	017-2580000000	IC	Mc14002	0.31	U1,2,4
14	017-2590000000	IC	CD4013BE	0.31	U3
15	055-2310150566	WIRE	10WAY RIBBON L=150mm	1.5	J5
16	039-0900000000	SWITCH	B3F-9300	1.5	SW1~7