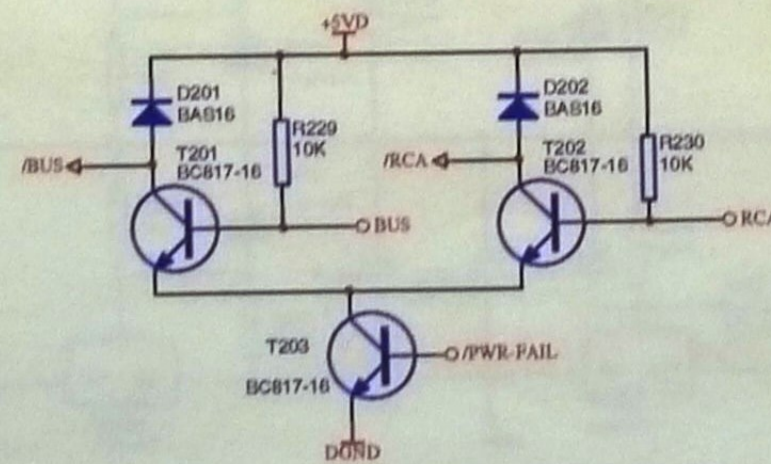
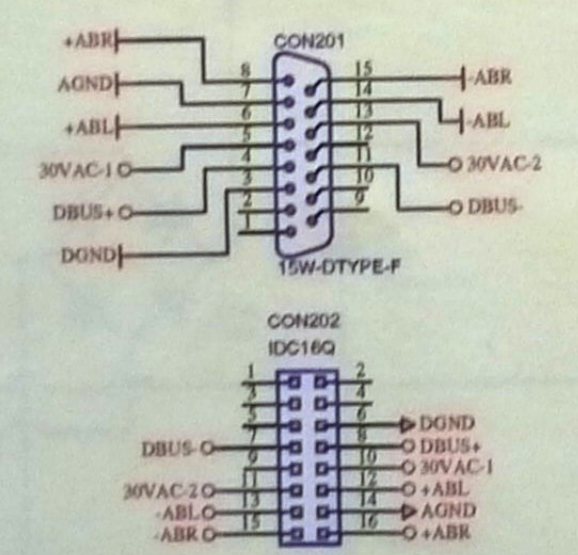
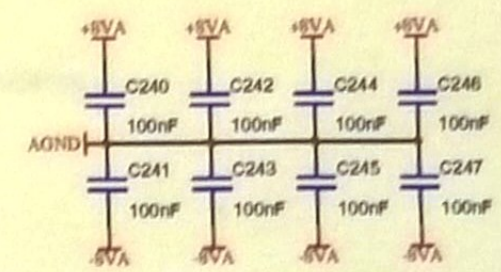
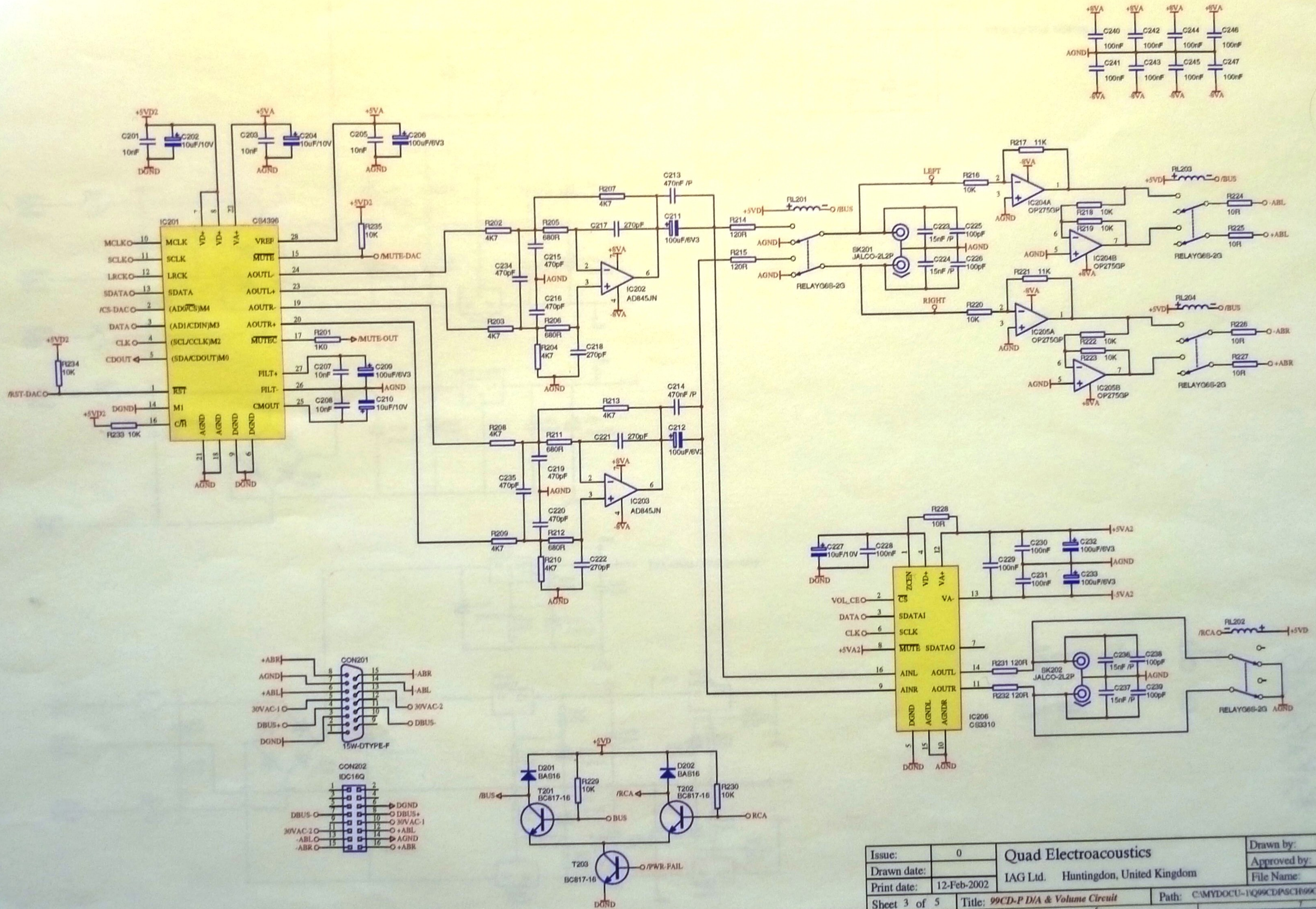


Issue:	0	Quad Electroacoustics	Drawn by:	JAN ERTNER
Drawn date:			IAG Ltd. Huntingdon, United Kingdom	Approved by:
Print date:	12-Feb-2002		File Name:	99CD221
Sheet 3 of 5	Title: 99CD-P/D/A & Volume Circuit	Path:	C:\MYDOCU-1\Q99CD\PSCH\99CD2210.SCH	



Issue:	0	Quad Electroacoustics	Drawn by:	JAN ERTNER
Drawn date:			Approved by:	JAN ERTNER
Print date:	12-Feb-2002	IAG Ltd. Huntingdon, United Kingdom	File Name:	99CD221
Sheet 3 of 5	Title: 99CD-P/D/A & Volume Circuit	Path:	C:\MYDOCU-1\99CD\PSCH\99CD2210.SCH	