

QUAD

SERVICE MANUAL

MODEL QUAD909 MONO

909 MONO

★ TABLE OF CONTENTS

SPECIFICATION-----	2
EXPLODED DIAGRAM-----	3
SCHEMATIC DIAGRAM-----	4
ASSEMBLY PART LIST-----	8
ELECTRONICS PARTS LIST-----	9

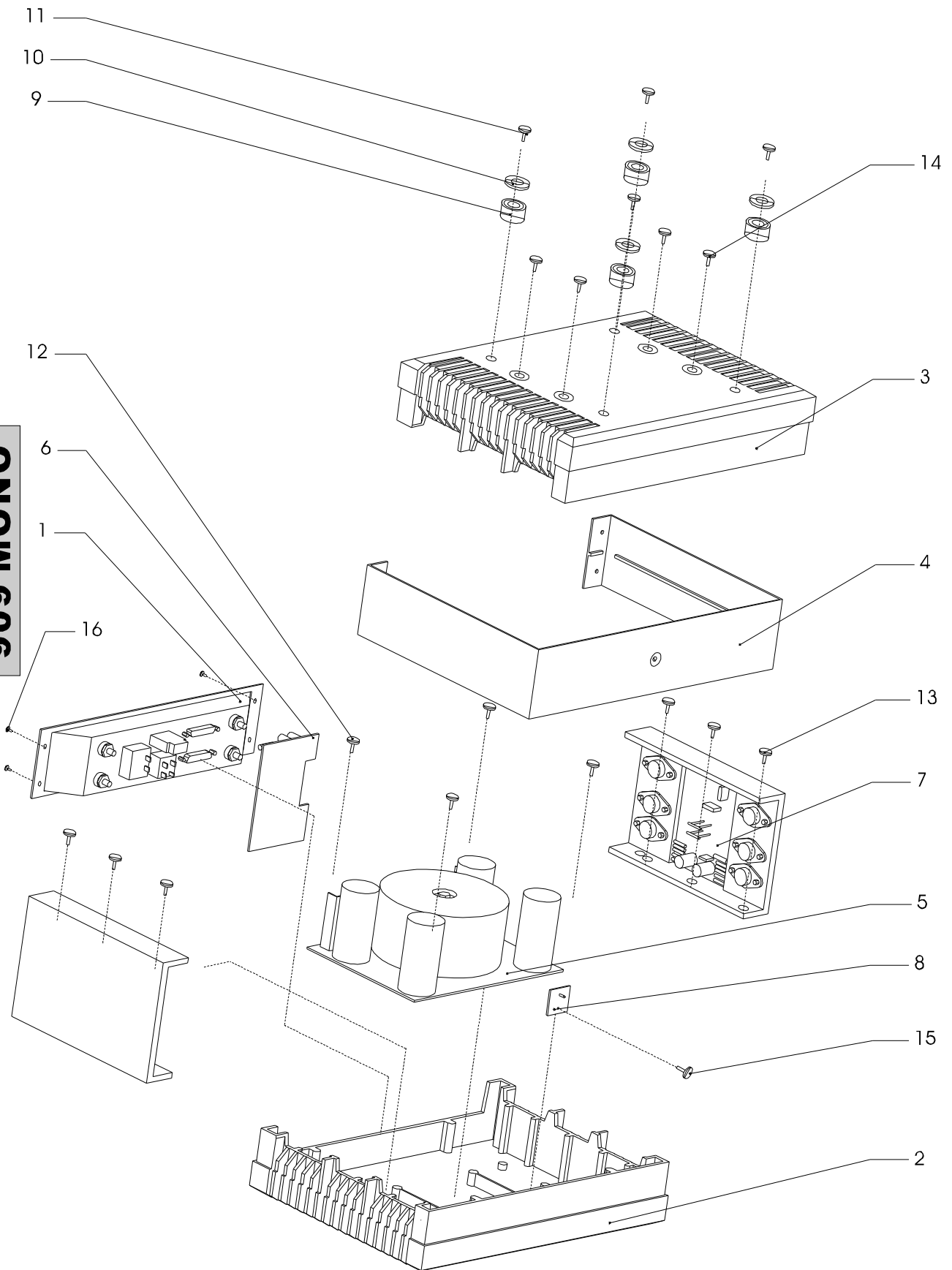
★ SPECIFICATION

Power Output	140W into 8 ohms(0.05% THD)
Total Harmonic Distortion (100W/8 ohm 20Hz-20kHz)	<0.01%
Output Impedance	0.05 ohm in parallel with 1.5uH
DC Offset Voltage	<10mV
Frequency Response	-1.0 dB at 13 Hz and 40 kHz, ref. 1kHz
Power Response	-0.25 dB at 20 Hz and 20 kHz, ref. 1kHz
Input Sensitivity	775mV(RCA line input)
Input Impedance	20kohm
Crosstalk	-90dB at 1 kHz(input loaded with 600 ohm)
Signal to Noise Ratio (ref.140 Watts)	108 dB (20 kHz measurement bandwidth)
Stability	Unconditional with any load and input
Dimensions(W*H*D)	321*140*240
Weight	12Kg

909 MONO

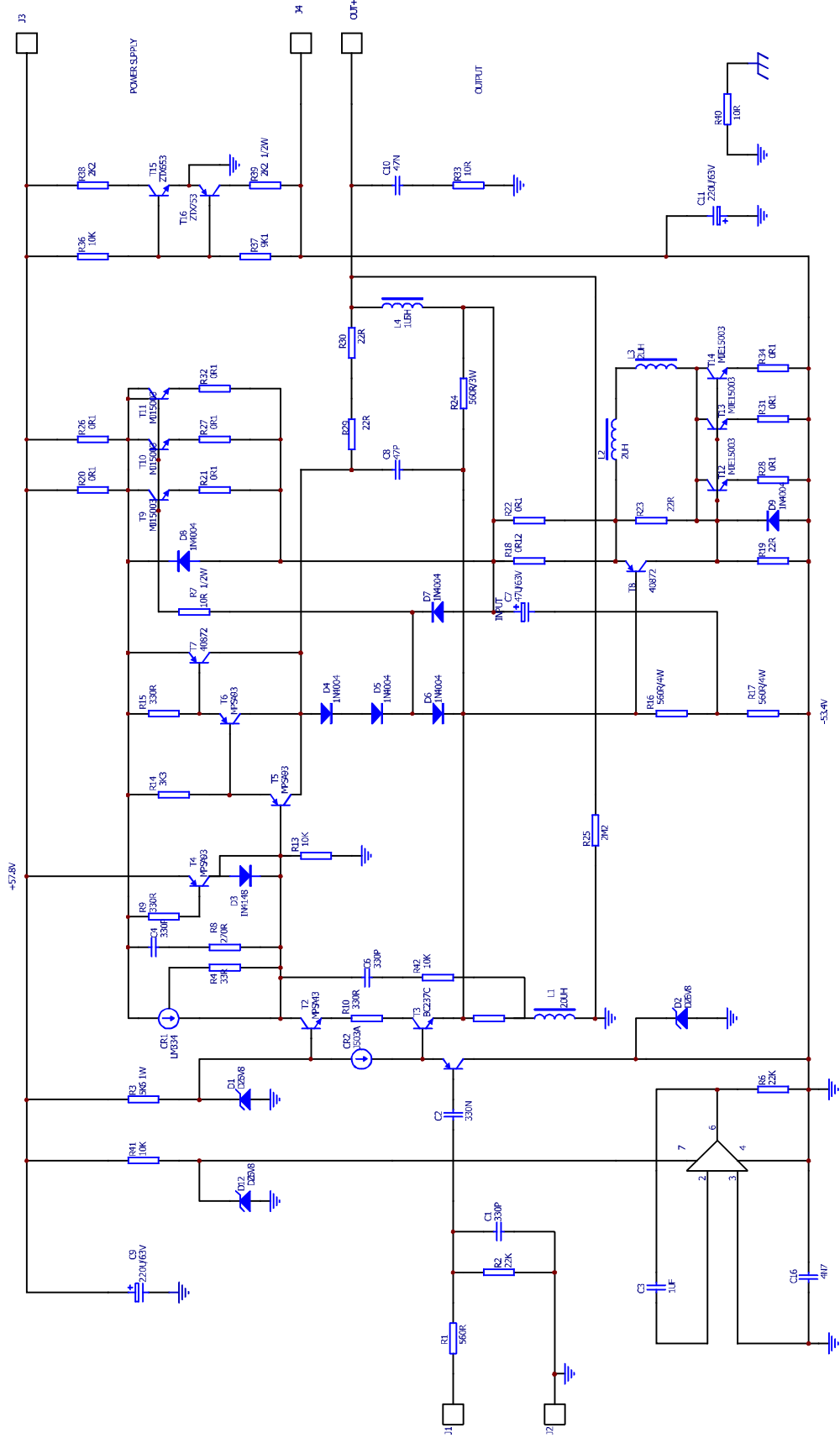
★ EXPLODED DIAGRAM

909 MONO



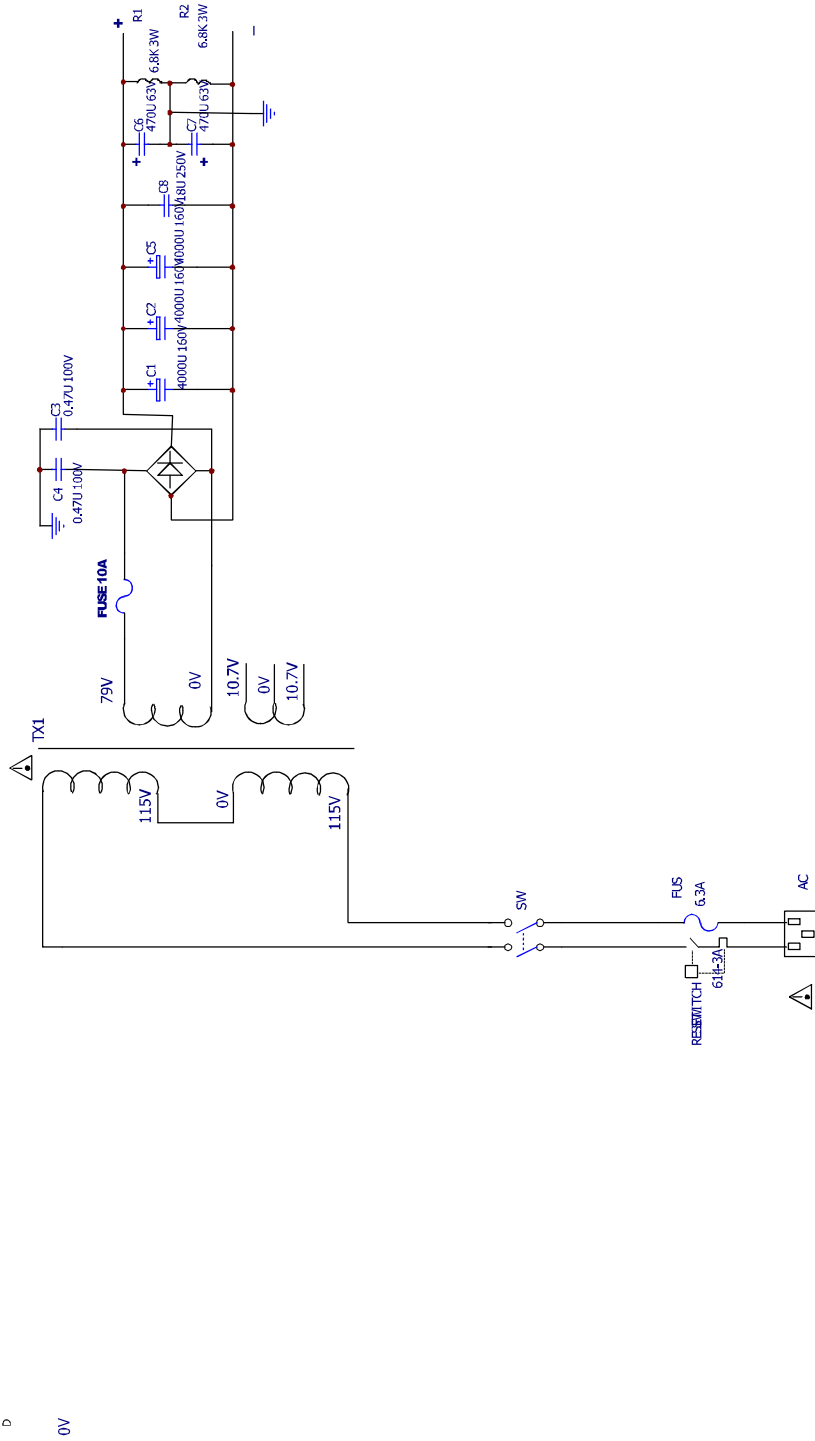
★ SCHEMATIC DIAGRAM

909 MONO



★ SCHEMATIC DIAGRAM

909 MONO



1

1

★ **ASSEMBLY PARTS LIST**

R/P	P/N	PART NAME	DESCRIPTION	QUA
1	301-1336000001	REAR PANEL		1
2	302-1185000001	TOP COVER		1
3	303-1185000001	BOTTOM COVER		1
4	309-1336000001	QUAD909 ENCRUST		1
5	088-1336000400	POWER SUPPLY P. C. B		1
6	088-1336000300	CONTROL P. C. B		1
7	088-1336001000	AMPLIFIER P. C. B		2
8	088-1040000800	LED P. C. B		1
9	392-0501800432	FOOT		4
10	231-2016006300	FEEL SELF-ADHESIVE		4
11	536-4001140801A	SCREW	MB (+) 4*14MF HB NI	4
12	533-5001080801A	SCREW	MT (+) 5*10 B Zn D	4
13	533-4001060301A	SCREW	MT (+) 4*6 NI	6
14	534-4001120801A	SCREW	MK (+) 4*12 BZn D	4
15	534-3001080801A	SCREW	MK (+) 3*8 B ZnD	1
16	533-3001080801A	SCREW	MT (+) 3*8ZnD	4

909 MONO

★ **ELECTRONICS PARTS LIST**

R/P	P/N	PART NAME	DESCRIPTION	QUA
1	022-2000044199	TRANSFORMER	QUAD909 MONO	1
2	031-4200515121	SAFETY TUBE	T6. 3A 250V 5*20MM	1
3	041-2191000000	POWER SWITCH	T85 EATON MEXICO	1
4	044-1700000000	JACK	R-3014-2PIN	1
5	046-3100000000	TERMINAL		1
6	051-4800000000	JACK		1
7	060-0180080100	LEAD	L=80mm	2
8	060-0180080300	LEAD	L=80mm BLUE	1
9	060-1260150510	LEAD	L=150MM	4
10	062-6118000220	POWER CORD	PHP-H03VVH2-F	1
11	071-1100000000	CABLE TIES	100MM YJ-100	4
12	079-0081000000	PROTECTOR	T1-614 3A	1
	088-1040000800	LED BOARD	QUAD707	1
1	019-0321122001	LED BOARD		1
2	053-1040001608	PCB BOARD	LED PCB 2.5*2.6	1
3	060-2220281100	LEAD		1
4	742-0201000000	HEAT-SHRINKABLE TUBING		0.02
	088-1336000300	CONTROL BOARD		1
1	001-1003205010	RESISTOR	10K 1/4W F	2
2	001-1005205010	RESISTOR	1M 1/4W F	2
3	001-1202205010	RESISTOR	1.2K 1/4W F	2
4	001-1302205010	RESISTOR	1K3 1/4W 1%	1
5	001-2002205010	RESISTOR	2K 1/4W F	2
6	001-2201205010	RESISTOR	220 OHM 1/4W F	2
7	001-2202205010	RESISTOR	2.2K 1/4W F	1
8	001-3002205010	RESISTOR	3K 1/4W F	6
9	001-4702205010	RESISTOR	4.7K 1/4W F	1
10	001-4703205010	RESISTOR	47K 1/4W F	1
11	001-5901205010	RESISTOR	590 OHM 1/4W F	2
12	001-7501205010	RESISTOR	750 OHM 1/4W 1%	1
13	006-1004051163	CAPACITOR	SM10uF 50V 20%	2
14	006-1024101733	CAPACITOR	1000uF 16V	2
15	006-1024132043	CAPACITOR	SM1000uF 25V	2
16	011-1553501110	CAPACITOR		1
17	013-2240210501	CAPACITOR	0.22UF/63V J	3
18	013-4710310502	CAPACITOR	470P 100V WIMA	1
19	014-1040211028	CAPACITOR	MKS2 100nF 63V 10%	2
20	014-8250411002	CAPACITOR	8.2uF 250V 10%	2
21	017-0240000000	IC	LM317LZ	1
22	017-0340000000	IC	OP275GP	1

909 MONO

★ **ELECTRONICS PARTS LIST**

909 MONO

23	017-0350000000	IC	LM337LZ	1
24	017-0360000000	IC	LM393N DIP-8	1
25	018-1400214115	AUDION	BC214C TO-92	1
26	018-2800110115	FIELD EFFECT TRANSISTOR	J110 TO-92	2
27	031-4200504121	SAFETY TUBE	50T010H 1A250V	2
28	053-1336001603	PCB BOARD	107*72MM	1
29	086-1500000000	TERMINAL	H2071Z01	3
	088-1336000400	POWER BOARD		1
1	001-6802308055	RESISTOR	6.8K 2W	2
2	006-4024429003	CAPACITOR	4000UF/160V	3
3	006-4711132573	CAPACITOR	SM 470uF 63V 10%	2
4	013-4740321004	CAPACITOR	B32561-J1474K	2
5	014-1860411002	CAPACITOR	18uF 250V 10%	1
6	034-1119992508	BRIDGE RECTIFIERS	RBV2510	1
7	053-1336001604	PCB BOARD	155*201MM	1
8	086-1500000000	TERMINAL	H2071Z01	8
9	306-5003000001	RADIATOR		1
10	500-3050240300A	NUT	M3 Zn	1
11	513-3006100900A	WASHER		1
12	537-3001160301A	SCREWS	MP(+) 3*16 NI D	1
	088-1336001000	AMPLIFIER BOARD		2
1	001-0010609050	RESISTOR	0.1 OHM 3W	18
2	001-0129609050	RESISTOR	0.12 OHM 3W	2
3	001-0750205010	RESISTOR	7.5 OHM 1/4W	2
4	001-1000205010	RESISTOR	10 OHM 1/4W F	2
5	001-1000306050	RESISTOR	10 OHM 1/2W J	4
6	001-1003205010	RESISTOR	10K 1/4W F	8
7	001-2200205010	RESISTOR	22 OHM 1/4W F	8
8	001-2202306050	RESISTOR	2.2K 1/2W J	4
9	001-2203205010	RESISTOR	22K 1/4W F	4
10	001-2205025010	RESISTOR	2.2M 1/4W	2
11	001-2701205010	RESISTOR	270 OHM 1/4W F	2
12	001-3300205010	RESISTOR	33 OHM 1/4W F	2
13	001-3301205010	RESISTOR	330 OHM 1/4W F	6
14	001-3302107050	RESISTOR	3.3K 1W J	2
15	001-3302205010	RESISTOR	3.3K 1/4W F	2
16	001-5601109050	RESISTOR	560 OHM 3W J	2
17	001-5601124050	RESISTOR	560R 5W 5%	4
18	001-5601205010	RESISTOR	560 OHM 1/4W F	2
19	001-5602107050	RESISTOR	5.6K 1W J	2
20	001-6203205010	RESISTOR	62K 1/4W F	2

★ **ELECTRONICS PARTS LIST**

21	001-9102205010	RESISTOR	9.1K 1/4W F	2
22	006-2214122073	CAPACITOR	220uF 100V	4
23	006-4704081173	CAPACITOR	47uF 63V	2
24	009-3311007000	CAPACITOR	330pF 100V	6
25	009-4721007000	CAPACITOR	4.7nF 100V	2
26	012-4703500101	CAPACITOR	47P 350V MICA	2
27	013-1050321004	CAPACITOR	B32561-J1105K	2
28	013-3340311004	CAPACITOR	0.33u 100V(R60)	2
29	013-4720211001	CAPACITOR	4.7n 63V	2
30	013-4730511004	CAPACITOR	MKT R60 47n 400V J	2
31	017-0370000000	IC	TLC271CP	2
32	018-1400237115	AUDION	BC237C T0-92	2
33	018-1400560115	TRANSISTOR	BC560B T0-92	2
34	018-1815003112	TRANSISTOR	MJ15003 T0-3P	12
35	018-2700043115	TRANSISTOR	MPSA43 T0-92	2
36	018-2700093115	TRANSISTOR	MPSA93 T0-92	6
37	018-2800503115	TRANSISTOR	J503A	2
38	018-3000334115	TRANSISTOR	LM334Z T0-92	2
39	018-3140872111	TRANSISTOR	ST BD912 T0-220	4
40	018-3200653115	TRANSISTOR	ZTX653 T0-92	2
41	018-3200753115	TRANSISTOR	ZTX753 T0-92	2
42	026-0205101150	INDUCTANCE	503276/2UH	4
43	026-1595101150	INDUCTANCE	503275/1.5UH	2
44	026-2005001100	INDUCTANCE	503966/20uH	2
45	053-1336001610	PCB BOARD	188*120MM	2
46	067-1104148000	DIODE	IN4148	2
47	067-2204004000	DIODE	IN4004	12
48	067-3305235000	ZENER	6.8V 1/2W IN5235	6

909 MONO