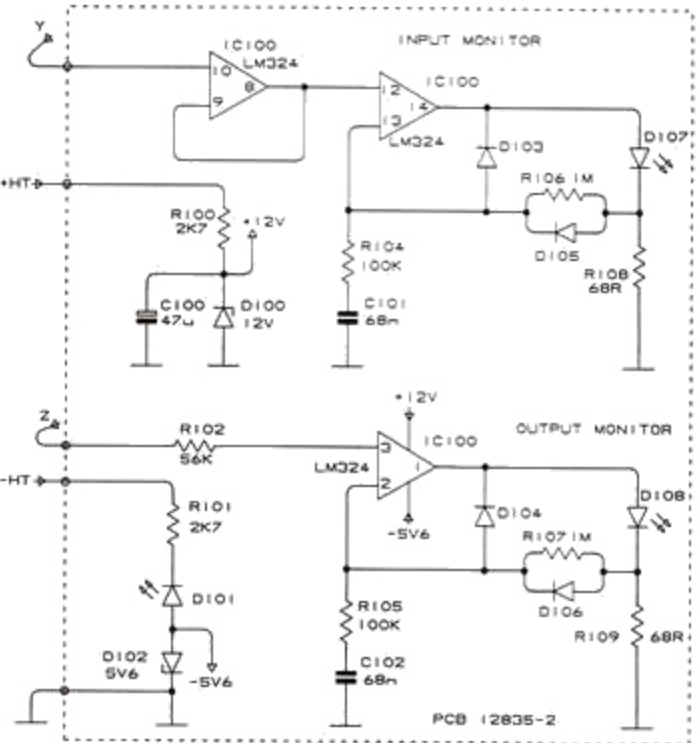
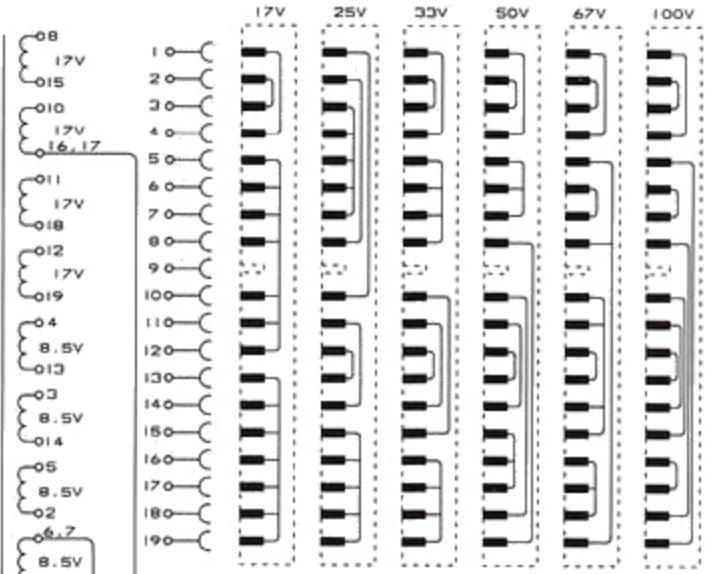
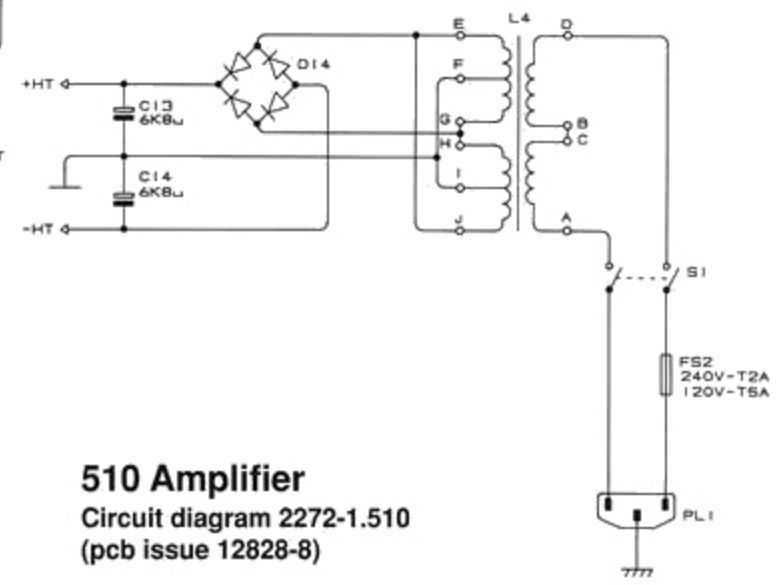
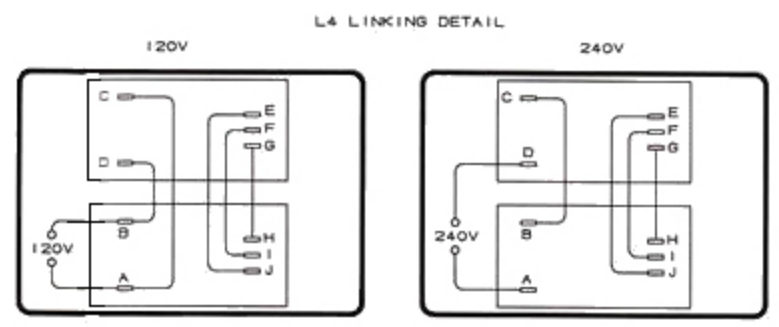


L6

| | |
|-------------|--------|
| 19 | 12 |
| 18 | 11 |
| 1 | 6.7 |
| 2 | 5 |
| PR1 - PR1 + | |
| 3 | 14 |
| 4 | 13 |
| 10 | 16, 17 |
| 8 | 15 |



* VALUE SUBJECT TO CHANGE
 17556 ALTERNATIVE - MJ15003
 MPSA93 ALTERNATIVE - ZTX 542



510 Amplifier
 Circuit diagram 2272-1.510
 (pcb issue 12828-8)