

SCHEMATIC DIAGRAM

FOR

**MODEL MAC 1700
STEREO FM RECEIVER**

McINTOSH AUDIO COMPANY

2 CHAMBERS STREET

BINGHAMTON, N. Y. 13903

Unless otherwise specified, resistance values are in ohms, 1/2 watt, and 10% tolerance. Capacitance values smaller than 1 are in microfarads (MF); values greater than 1 are in picofarads (PF). Inductors are in microhenries.

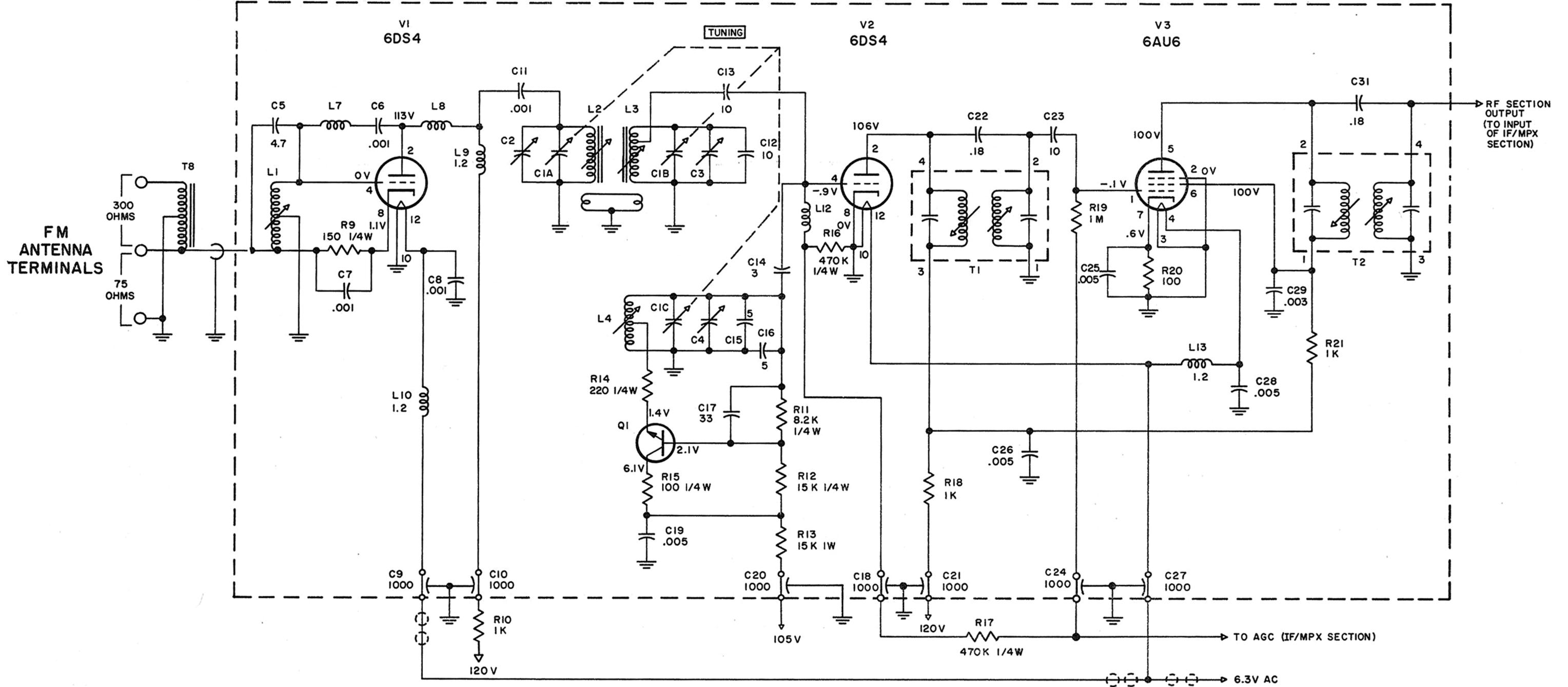
Rotary switches are viewed from the front with the knob in the extreme counterclockwise position. The terminal numbering of rotary switches is for reference only.

All voltages are measured under the following conditions:

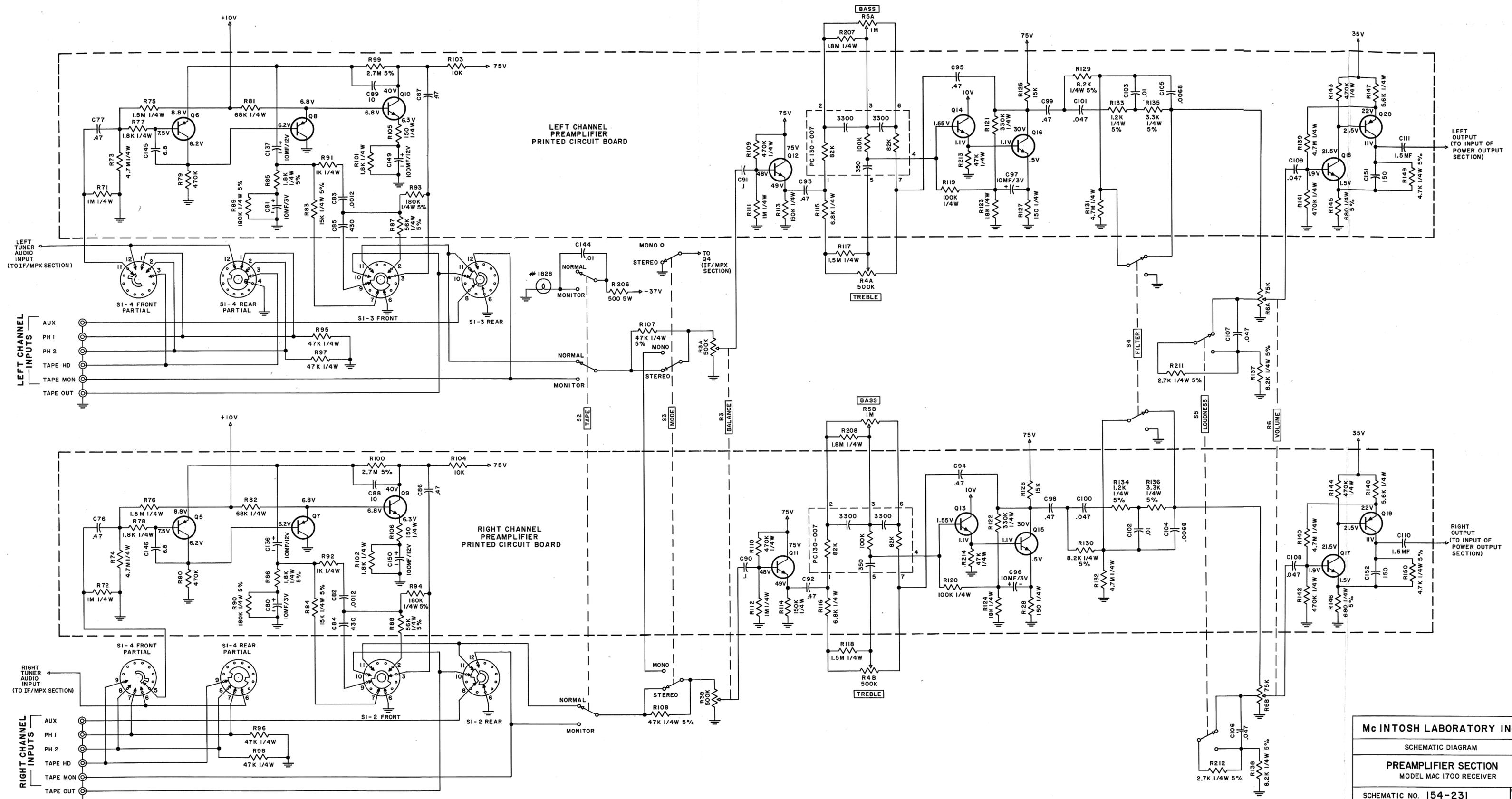
1. Use of an 11 megohm input impedance VTVM voltmeter.
2. All voltages $\pm 10\%$ with respect to ground.
3. No signal at antenna or other input terminals.
4. AC input at 117 volts, 50/60 cycles.
5. Front panel controls at:

Mode Selector	Stereo
Input Selector	Aux
Volume Control	Max
Balance Control	Zero
Tone Controls	Flat
Muting	Out
Filter	Out
Loudness	Out
Tape Monitor	Out

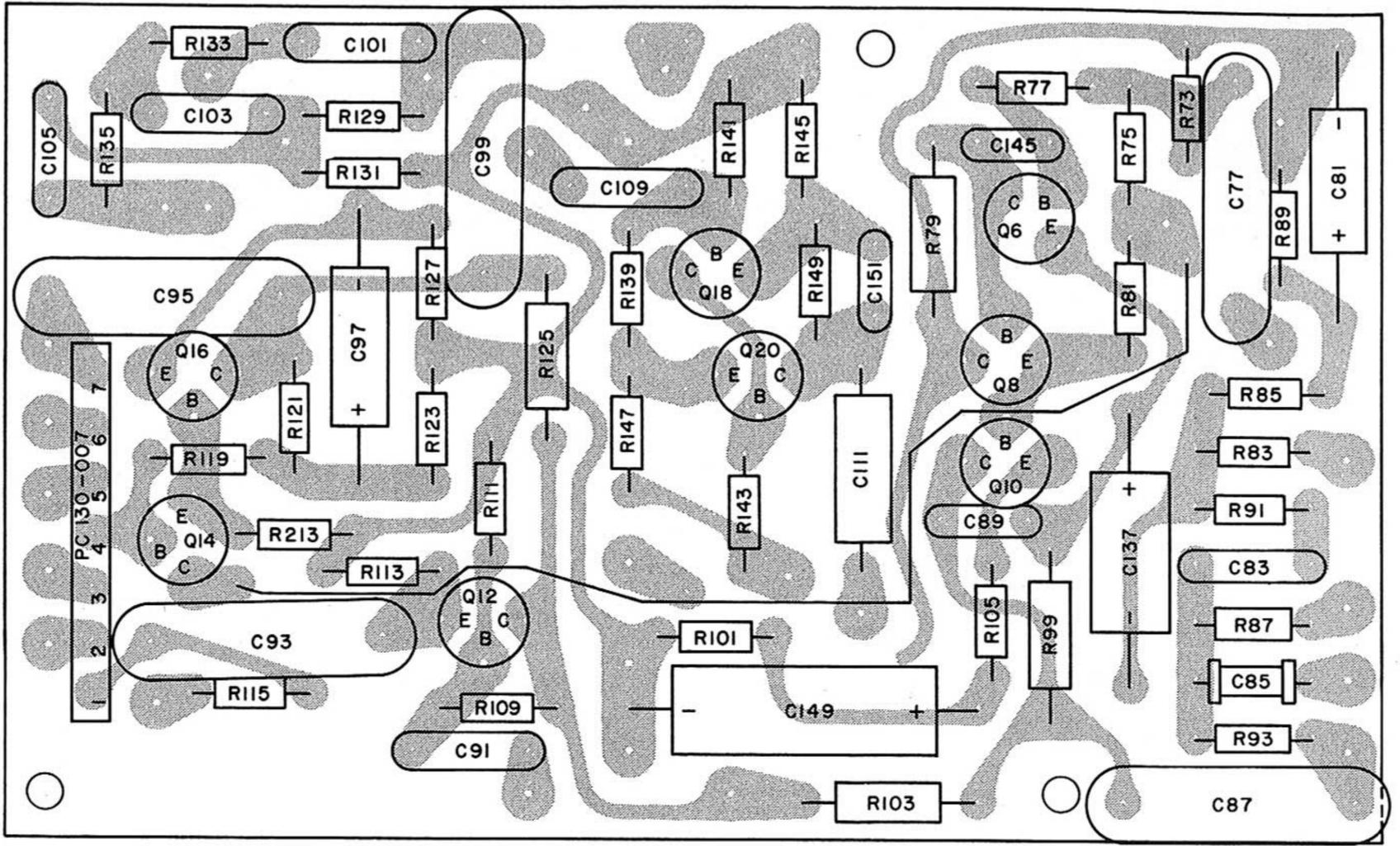
RF SECTION CHASSIS OUTLINE



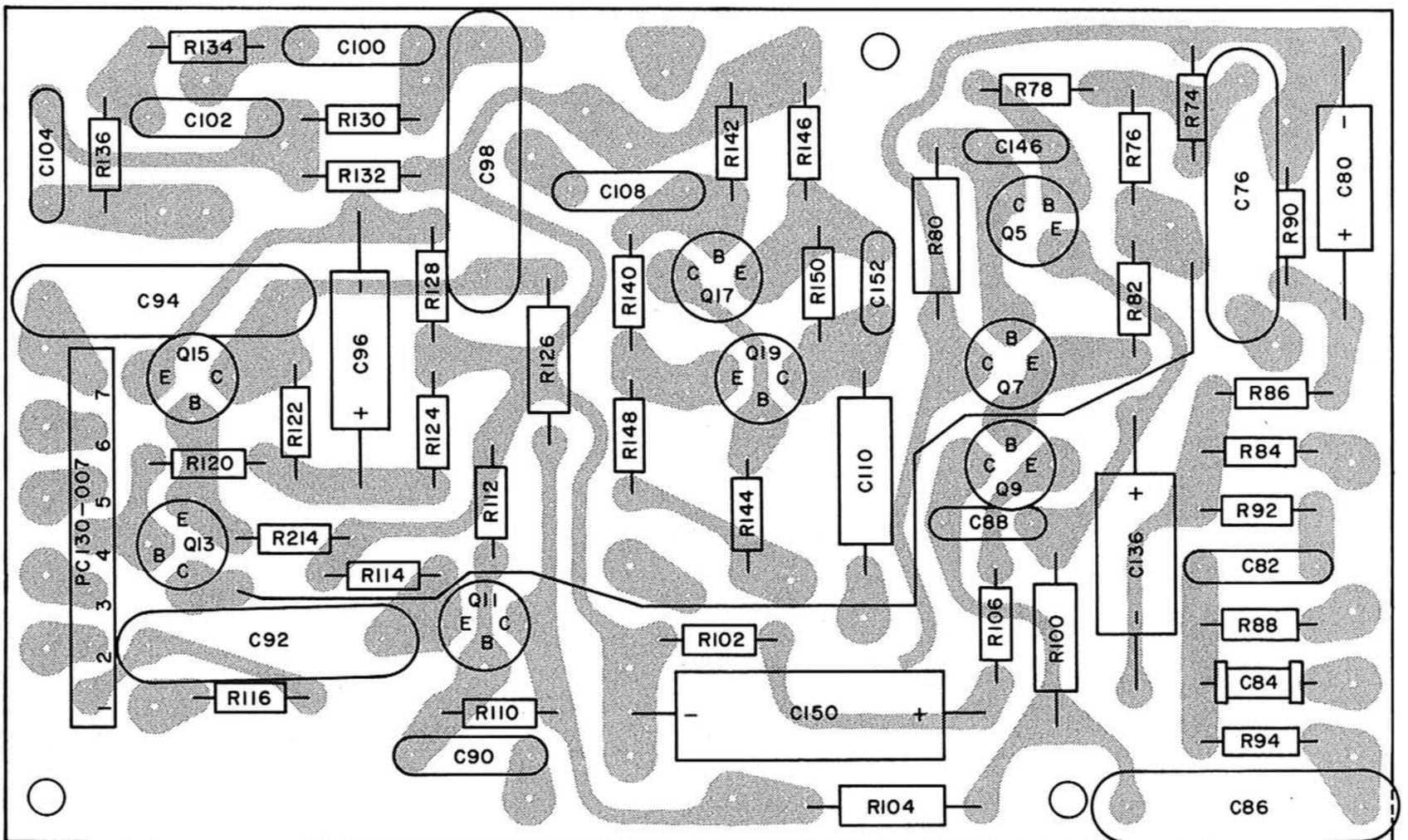
McINTOSH LABORATORY INC.	
SCHEMATIC DIAGRAM	
RF SECTION MODEL MAC 1700 RECEIVER	
SCHEMATIC NO. 154-233	REVISION



McINTOSH LABORATORY INC.
 SCHEMATIC DIAGRAM
 PREAMPLIFIER SECTION
 MODEL MAC 1700 RECEIVER
 SCHEMATIC NO. 154-231

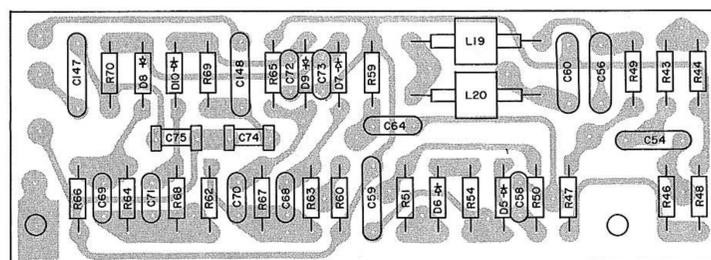
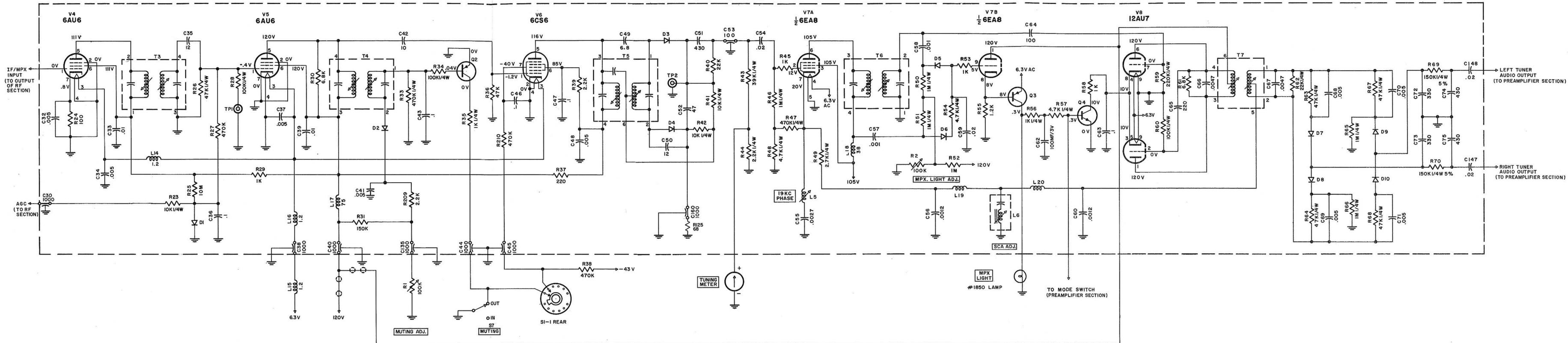


LEFT CHANNEL PREAMPLIFIER PRINTED CIRCUIT BOARD

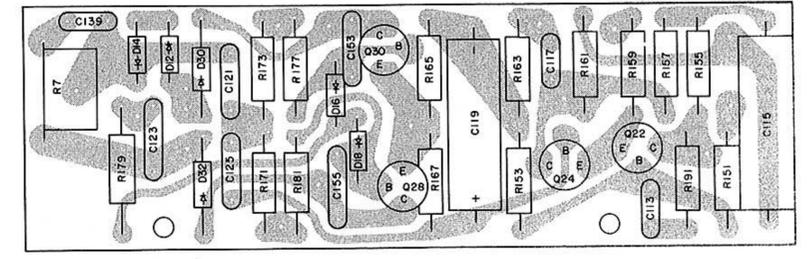
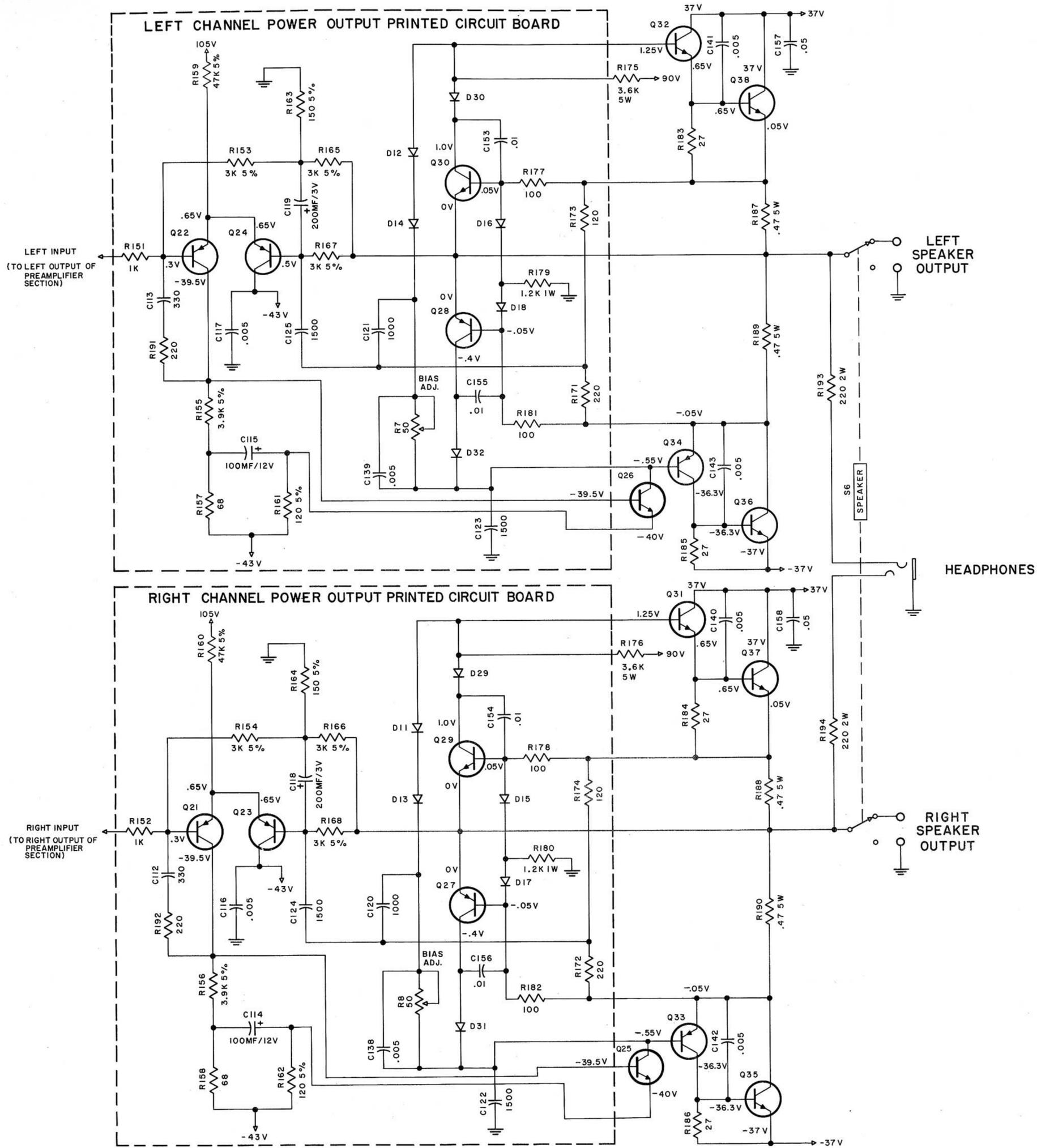


RIGHT CHANNEL PREAMPLIFIER PRINTED CIRCUIT BOARD

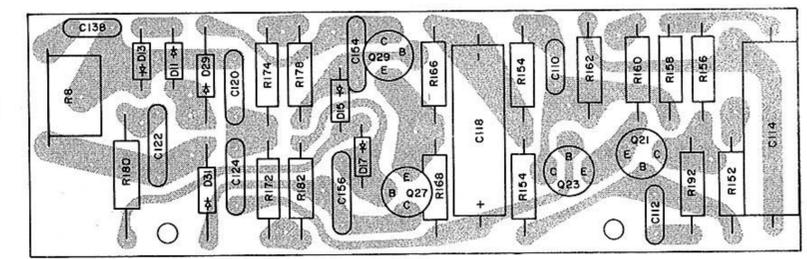
IF / MPX CHASSIS OUTLINE



IF/MPX PRINTED CIRCUIT BOARD



LEFT CHANNEL POWER OUTPUT PRINTED CIRCUIT BOARD



RIGHT CHANNEL POWER OUTPUT PRINTED CIRCUIT BOARD

Mc INTOSH LABORATORY INC.	
SCHEMATIC DIAGRAM	
POWER OUTPUT SECTION MODEL MAC 1700 RECEIVER	
SCHEMATIC NO. 154-232	REVISION