



For more Hi-Fi manuals and set-up information
please visit www.hifiengine.com

**SERVICE
MANUAL**

2240B



marantz

model 2240B

Stereophonic Receiver

TABLE OF CONTENTS

SECTION	PAGE
Introduction	1
Service Notes	1
Test Equipment Required for Servicing	2
AM Alignment Procedure	2
FM Alignment Procedure	3
Stereo Separation Alignment	3
Muting Circuit Alignment	3
Dolby FM Tape Output Setting	4
Audio Adjustment	4
Parts List	26
Specifications	38
Service Information for European Model	40
TABLE	
1. Test Equipment Required for Servicing	2

LIST OF ILLUSTRATIONS

FIGURE	PAGE
1. Dial Stringing	5
2. Front Panel Adjustment and Component Locations	6
3. Main Chassis Component Locations (Top View)	6
4. Rear Panel Adjustment and Component Locations	7
5. Main Chassis Component Locations (Bottom View)	7
6. FM Front End Assembly (P100) Schematic Diagram	8
7. FM Front End Assembly (P100) Component Locations	8
8. AM Tuner Unit Assembly (P150) Schematic Diagram	9
9. AM Tuner Unit Assembly (P150) Component Locations	9
10. FM IF Amplifier Assembly (P200) Schematic Diagram	10
11. FM IF Amplifier Assembly (P200) Component Locations	10
12. MPX Stereo Decoding Amplifier Assembly (P300) Schematic Diagram	11
13. MPX Stereo Decoding Amplifier Assembly (P300) Component Locations	11
14. Phono Amplifier Assembly (P400) Schematic Diagram	12
15. Phono Amplifier Assembly (P400) Component Locations	12
16. Power Amplifier Assembly (P700) Schematic Diagram	13
17. Power Amplifier Assembly (P700) Component Locations	13
18. Power Supply Assembly (P800) Schematic Diagram	14
19. Power Supply Assembly (P800) Component Locations	14
20. Dolby Level Assembly (PC01) Schematic Diagram	15
21. Dolby Level Assembly (PC01) Component Locations	15
22. Dial Lamp Assembly (PZ01) Schematic Diagram	15
23. Dial Lamp Assembly (PZ01) Component Locations	15
24. Functions Lamp Assembly (PY01) Schematic Diagram	16
25. Functions Lamp Assembly (PY01) Component Locations	16
26. Pre-Tone Amplifier Assembly (PE01) Schematic Diagram	16
27. Pre-Tone Amplifier Assembly (PE01) Component Locations	16
28. High and Low Filter and Muting Switch Unit Assembly (PH01) Schematic Diagram	17
29. High and Low Filter and Muting Switch Unit Assembly (PH01) Component Locations ..	17
30. Monitor Dolby Assembly (PT01) Schematic Diagram	17
31. Monitor Dolby Assembly (PT01) Component Locations	17
32. ANT. Muting Assembly (PU01) Schematic Diagram	18
33. ANT. Muting Assembly (PU01) Component Locations	18
34. Block Diagram	20
35. Schematic Diagram	23
36. Exploded Mechanical Diagram	25
37. Packing	39
38. Rear Panel Adjustments and Component Locations for European Model	41
39. Main Chassis Component Locations (Bottom View) for European Model	41
40. Schematic Diagram For European Model	45
41. Voltage Conversion Chart	42

INTRODUCTION

This service manual was prepared for use by Authorized Warranty Stations and contains service information for Marantz Model 2240B Stereo-phonoc Receiver.

Servicing information and voltage data included in this manual are intended for use by the knowledgeable and experienced technician only. All instruction should be read carefully. No attempt should be made to proceed without a good understanding of the operation in the receiver.

The parts list furnish information by which replacement part may be ordered from the Marantz Company. A simple description is included for parts which can be usually be obtained through local suppliers.

1. SERVICE NOTES

As can be seen from the circuit diagram the chassis of Model 2240B consists of the following units. Each unit mounted on a printed circuit board is described within the square enclosed by a bold dotted line on the circuit diagram.

- | | |
|-----------------------|-----------------------------|
| 1. FM Front End | Mounted on P.W. Board, P100 |
| 2. AM Tuner | Mounted on P.W. Board, P150 |
| 3. FM - IF | Mounted on P.W. Board, P200 |
| 4. MPX | Mounted on P.W. Board, P300 |
| 5. ANT-ATT. Muting UR | Mounted on P.W. Board, PU01 |
| 6. Dolby Level | Mounted on P.W. Board, PC01 |
| 7. Phono Amp. | Mounted on P.W. Board, P400 |
| 8. Dial Lamp | Mounted on P.W. Board, PZ01 |
| 9. Monitor, SW | Mounted on P.W. Board, PT01 |
| 10. Function Lamp | Mounted on P.W. Board, PY01 |
| 11. Pre Tone Amp. | Mounted on P.W. Board, PE01 |
| 12. Filter, SP SW | Mounted on P.W. Board, PH01 |
| 13. Power Amp. | Mounted on P.W. Board, P700 |
| 14. Power Supply | Mounted on P.W. Board, P800 |

2. TEST EQUIPMENT REQUIRED FOR SERVICING

Table 1 lists the test equipment required for servicing the Model 2240B Receiver.

Item	Manufacturer and Model No.	Use
AM Signal Generator		Signal source for AM alignment.
Test Loop		Used with AM signal generator.
FM Signal Generator	Less than 0.3% distortion	Signal source for FM alignment.
Stereo Modulator	Less than 0.3% distortion	Stereo separation alignment and trouble shooting.
Frequency Counter		MPX Oscillator adjustment (VCO).
Audio Oscillator	Weston Model CVO-100P, less than 0.02% residual distortion is required.	Sinewave and squarewave signal source.
Oscilloscope	High sensitivity with DC horizontal and vertical amplifiers.	Waveform analysis and trouble shooting and ASO alignment.
VTVM	With AC, DC, RF range	Voltage measurements.
Circuit Tester		Trouble shooting.
AC Wattmeter	Simpson, Model 390	Monitors primary power to Amplifier.
AC Ammeter	Commercial Grade (1-10A)	Monitors amplifier output under short circuit condition.
Line Voltmeter	Commercial Grade (0-150V AC)	Monitors potential of primary power to amplifier.
Variable Autotransformer (0-140V AC, 10 amps)	Powerstat, Model 116B	Adjusts level of primary power to amplifier.
Shorting Plug	Use phono plug with 600 ohm across center pin and shell.	Shorts amplifier input to eliminate noise pickup.
Output Load (8 ohms, $\pm 1\%$ 100W)	Commercial Grade	Provides 8-ohm load for amplifier output termination.
Output Load (4 ohms, $\pm 1\%$ 100W)	Commercial Grade	Provides 4-ohm load for amplifier output termination.

Table 1. Test Equipment Required for Servicing

3. AM ALIGNMENT PROCEDURE

3.1 AM IF Alignment

1. Connect a sweep generator to the J153 and an alignment scope to the test point B.
2. Rotate each core of IF transformer L153 for maximum height and flat top symmetrical response.

3.2 AM Frequency Range and Tracking Alignment

1. Set AM signal generator to 515 KHz. Turn the tuning capacitor fully closed (place the tuning pointer at the low end.) and adjust the oscillator coil L152 for maximum audio output.
2. Set the signal generator to 1650 KHz. Place the tuning pointer in the high frequency end and adjust the oscillator trimmer on the oscillator tuning capacitor for maximum audio output.
3. Repeat the step 1 and 2 until no further adjustment is necessary.
4. Set the generator to 600 KHz and tune the receiver to the same frequency and adjust a slug

- core of AM ferrite rod antenna and RF coil L151 for maximum output.
5. Set the generator to 1400 KHz and tune the receiver to the same frequency and adjust both trimming capacitors of antenna and RF tuned circuit for maximum output.
 6. Repeat the step 4 and 5 until no further adjustment is necessary.

Note: During tracking alignment reduce the signal generator output as necessary to avoid AGC action.

3.3 AM Signal Strength Meter Alignment

Set an AM signal generator to 1000 KHz at 5 K μ V, and adjust R178 so that the signal strength meter may read 90% of the full scale.

4. FM ALIGNMENT PROCEDURE

1. Connect a FM signal generator to the FM ANTENNA terminals and a oscilloscope and an audio distortion analyzer to the TAPE OUTPUT jacks on the rear panel.
2. Set the FM SG to 87 MHz and provide about 3 to 5 μ V. Place the tuning pointer at the low frequency end by rotating the tuning knob and adjust the core of oscillator coil L104 to obtain maximum audio output.
3. Set the FM SG to 109 MHz and provide about 3 to 5 μ V output. Rotate the tuning knob and place the tuning pointer at the high frequency end and adjust the trimming capacitor C106 for maximum output.
4. Repeat the step 2 and 3 until no further adjustment is necessary.
5. Set the FM SG to 90MHz and tune the receiver to the same frequency. Decrease signal generator output until the audio output level decreases with the decreasing generator output. Adjust the antenna coil L101, RF coil L102 and L103 and IF transformer L105 for minimum audio distortion.
6. Set the FM SG to 106 MHz and tune the receiver to the same frequency. Adjust the trimming capacitor C102, C104 and C105 for minimum distortion.
7. Repeat the step 5 and 6 until no further adjustment is necessary.
8. Adjust the secondary core (upper) of discriminator transformer L201 so that the center tuning meter pointer indicates its center at no signal applied. Set the FM SG to 98 MHz and increase its output level 1 K μ V and tune the receiver to the same frequency so that the center tuning meter pointer indicates its center.
Adjust the primary core (lower) of L201 for minimum distortion.
9. Set the FM SG to 98 MHz at 100 K μ V, and adjust R374 so that the signal strength meter may read 90% of the full scale.

5. STEREO SEPARATION ALIGNMENT

1. Set the FM SG to provide 1 K μ V at 98 MHz. Tune the receiver to the same frequency so that the center tuning meter pointer indicates its center.
2. Turn the FM SG modulation off (with the pilot signal turned off), connect a frequency counter to test point J310, and adjust R311 so that the frequency counter may precisely read 19 KHz.
3. Modulate the FM SG with stereo composite signal consisting of only subchannel signal (of course a pilot signal must be included).
4. Adjust the trimming resistor R301 for maximum and same separation in both channels.

6. MUTING CIRCUIT ALIGNMENT

1. Connect a VTVM across the resistor R363 and adjust the resistor R363 until the meter reads 0.75V DC at no signal.
2. Set the FM SG to provide 1 K μ V at 98 MHz and tune the receiver to the same frequency

correctly.

3. Turn on MUTING pushswitch. Shift the FM signal generator frequency to plus and minus and note both plus and minus shifted frequencies at which undesirable audio side responses are muted out. Adjust the R363 so that the same shifted frequencies mute the undesirable side response.
4. Adjust R362 for proper frequency shift at which the muting circuit operates.

7. DOLBY FM TAPE OUTPUT SETTING

1. Set the modulation of FM SG to 400 Hz, 50% (± 37.5 KHz Dev.)
2. Set the FM SG to provide 1 K μ V at 98 MHz. Tune the receiver to the same frequency so that the center tuning meter pointer indicates its center.
3. Turn on DOLBY FM push switch. Set the semifixed resistors RC01 and RC02 so that the output of the TAPE OUTPUT terminals R and L become 580 mV at VT. VM.

8. AUDIO ADJUSTMENT

1. Voltage adjustment
Connect a DC voltmeter between pin terminal 804 and 805, and adjust the trimming resistor R806 for 35V DC.
2. Main Amplifier DC off-set alignment
Connect a DC voltmeter with 0.5 or 1V range between the speaker terminals and adjust the trimming resistor R707 for "zero" DC output on the meter.
Repeat the same procedure for the other channel.
Note: During this alignment no load should be connected to the speaker terminals.
3. Idle-current adjustment
Connect a VTVM between pin terminals 708 and 710. Next, adjust the trimming resistor R719 for the VTVM reads 8mV DC. Repeat the same procedure for the other channel.
4. Check DC off-set voltage aligned in the procedure 2 and if any DC output is observed on the DC voltmeter, adjust the R707 again for "zero" output.
5. Phono-amplifier adjustment
Connect a oscilloscope to the TAPE OUT jacks and an audio signal generator to the PHONO jacks. Place the selector switch in the PHONO position. Increase 1 KHz audio signal gradually until a slight clipping on top of the sine-wave is observed on the oscilloscope. Adjust the trimming resistor R408 for equal clipping level.
For the other channel adjust R409.

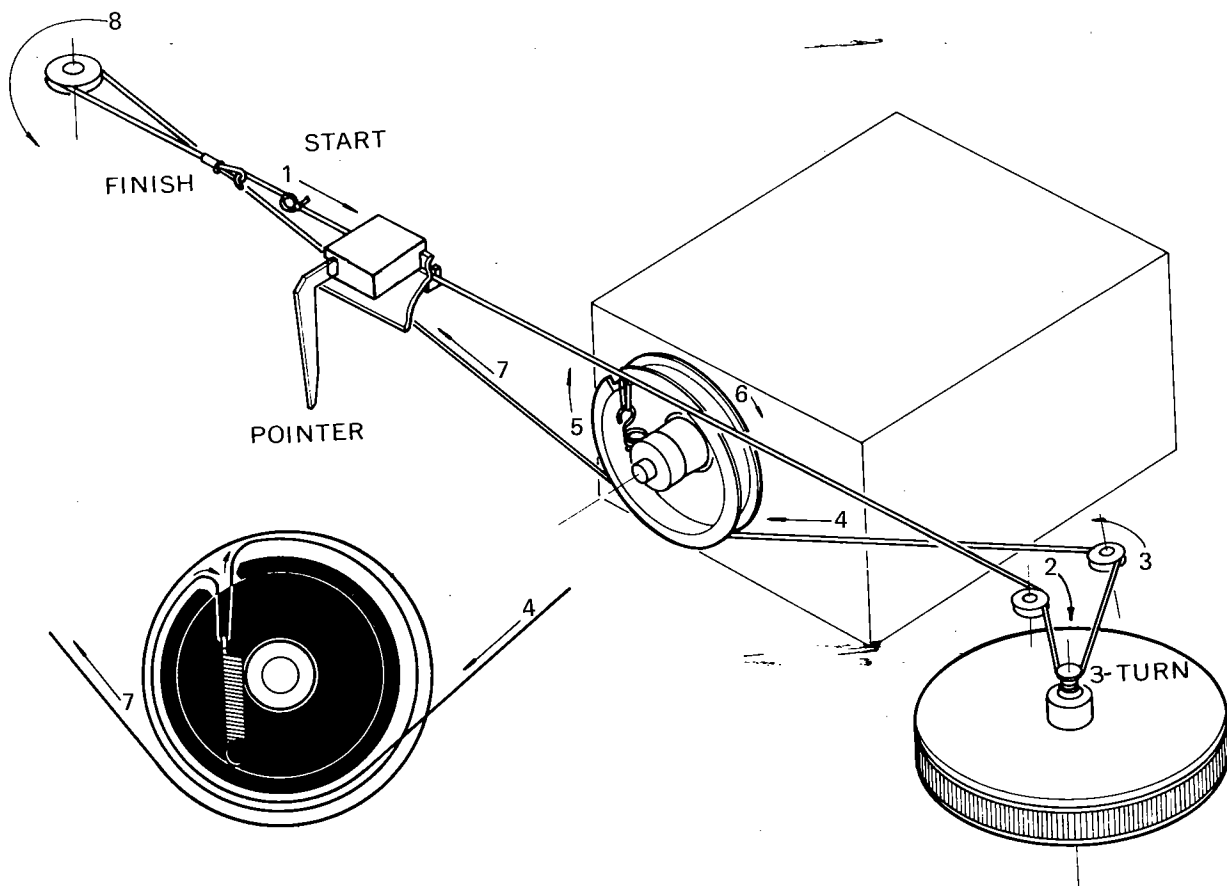


Fig. 1 Dial Stringing

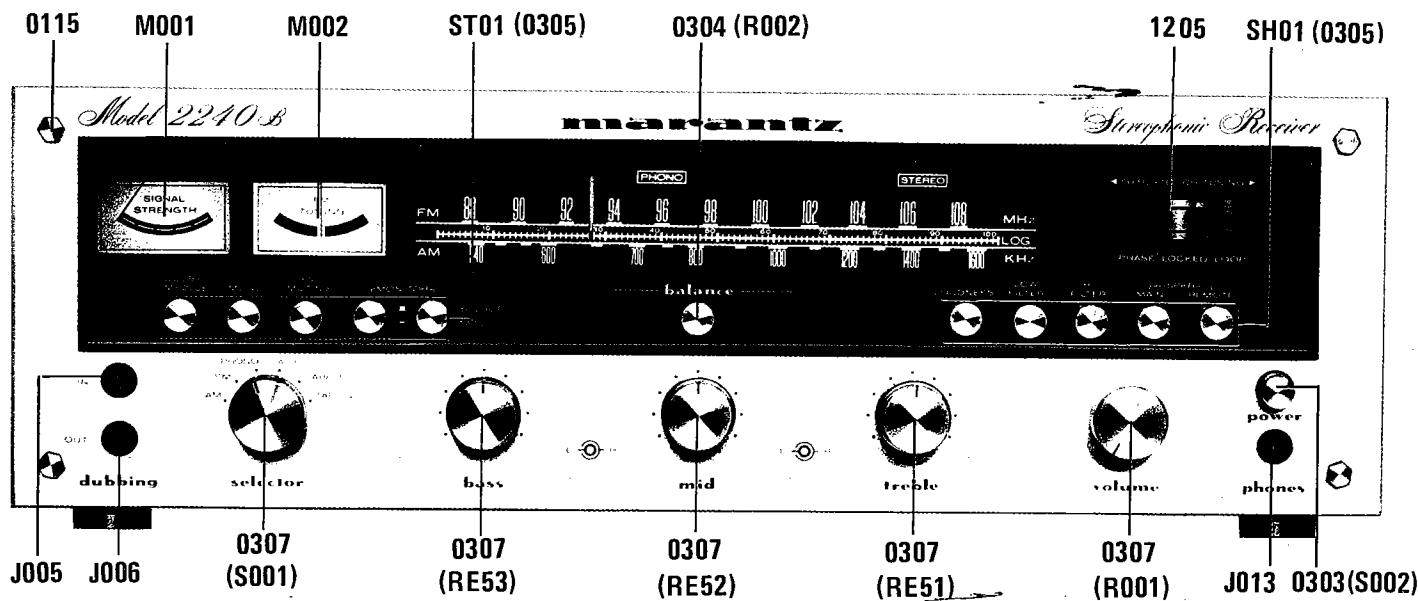


Fig. 2 Front Panel Adjustment and Component Locations

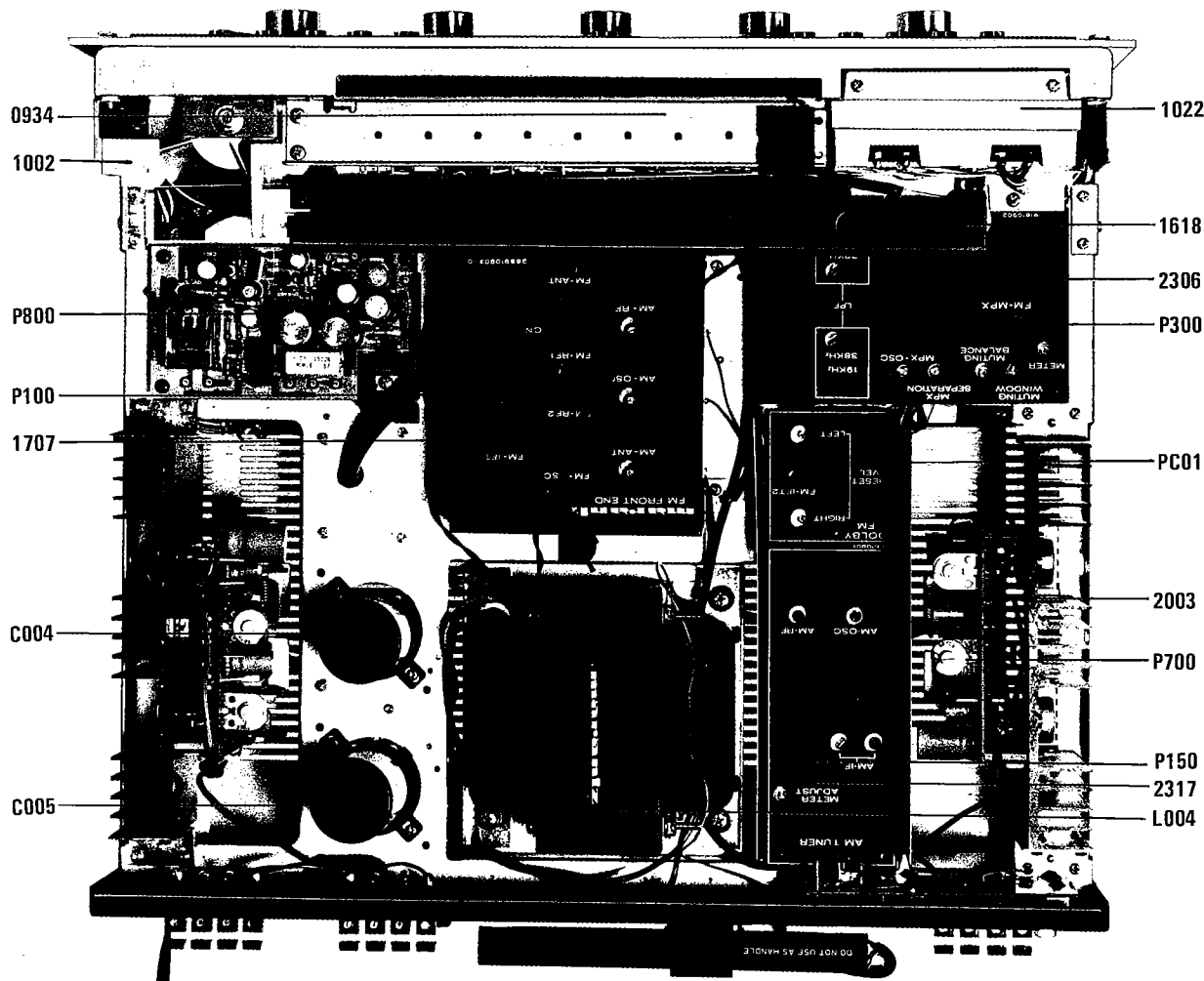


Fig. 3 Main Chassis Component Locations (Top View)

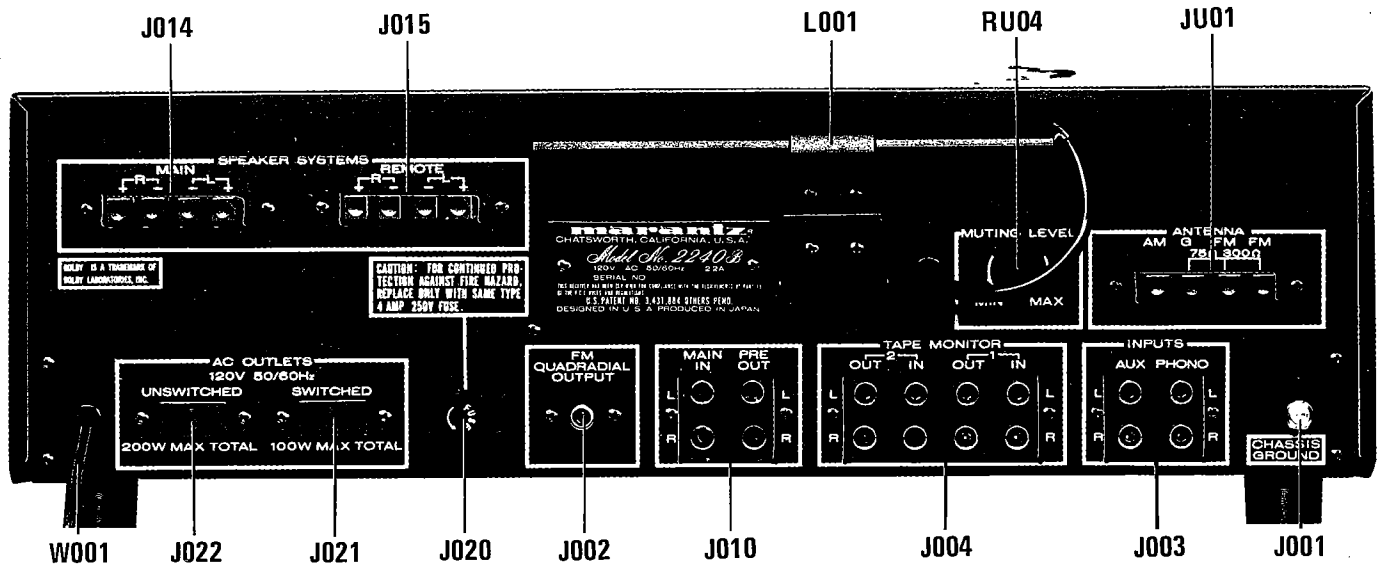


Fig. 4 Rear Panel Adjustment and Component Locations

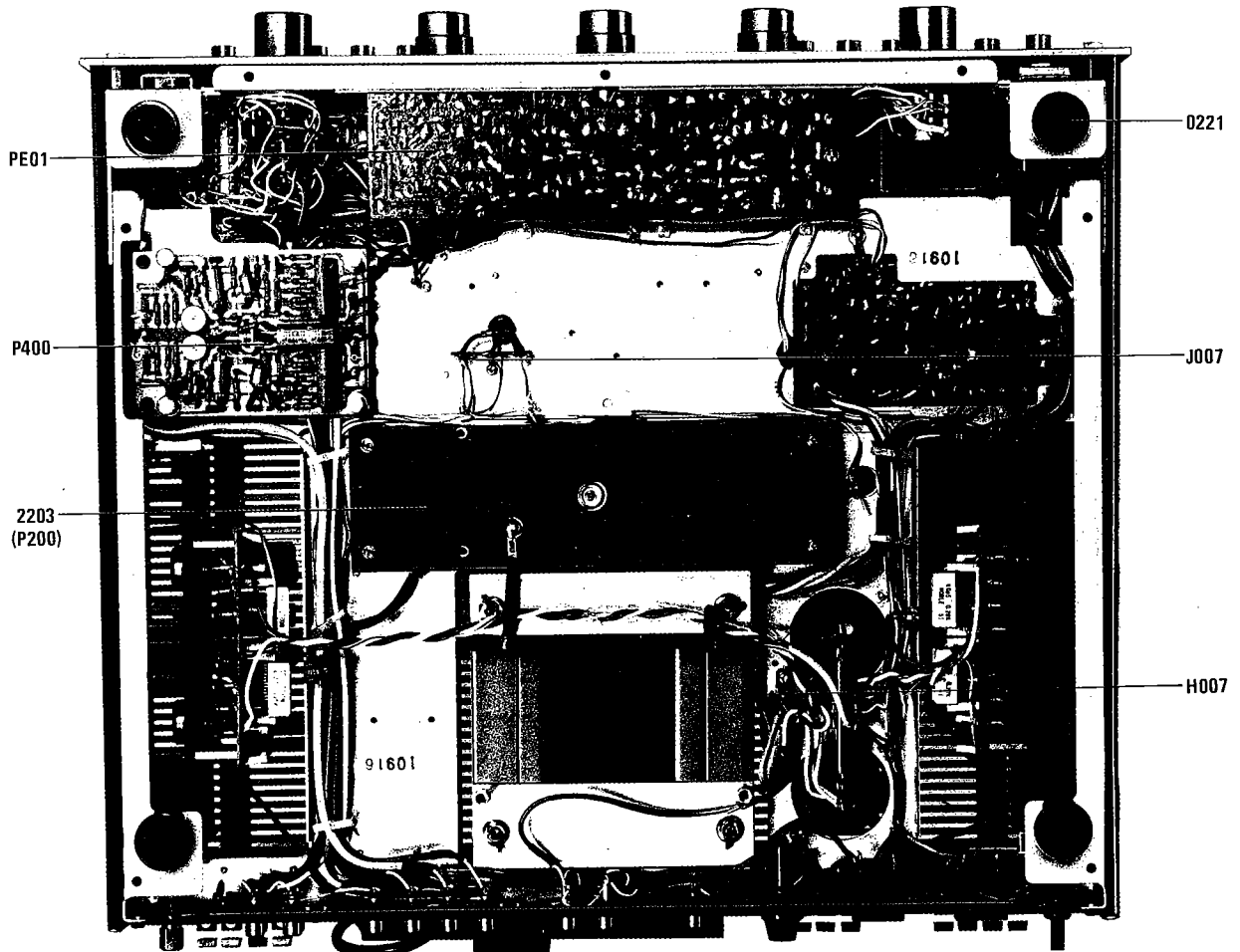


Fig. 5 Main Chassis Component Locations (Bottom View)

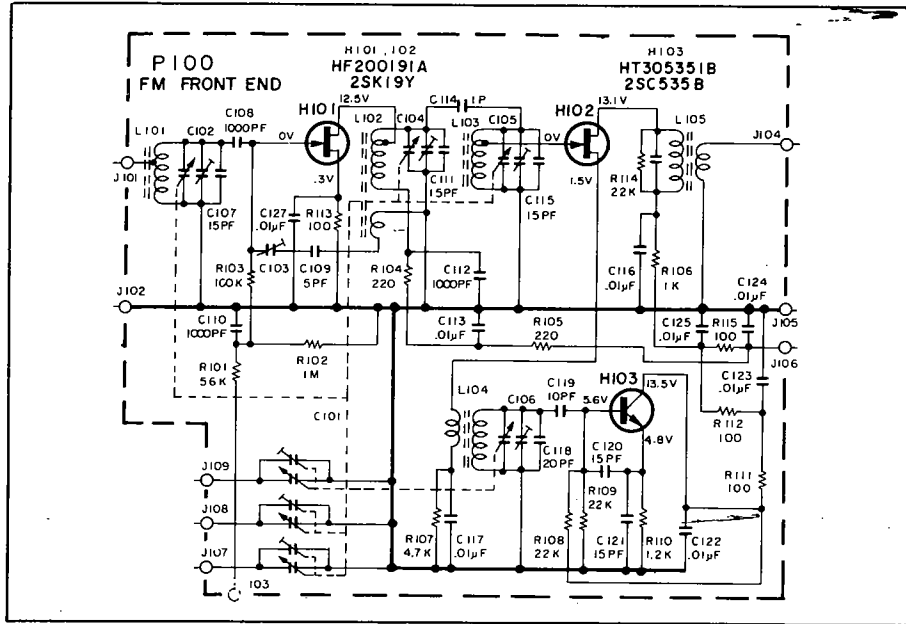


Fig. 6 FM Front End Assembly (P100) Schematic Diagram

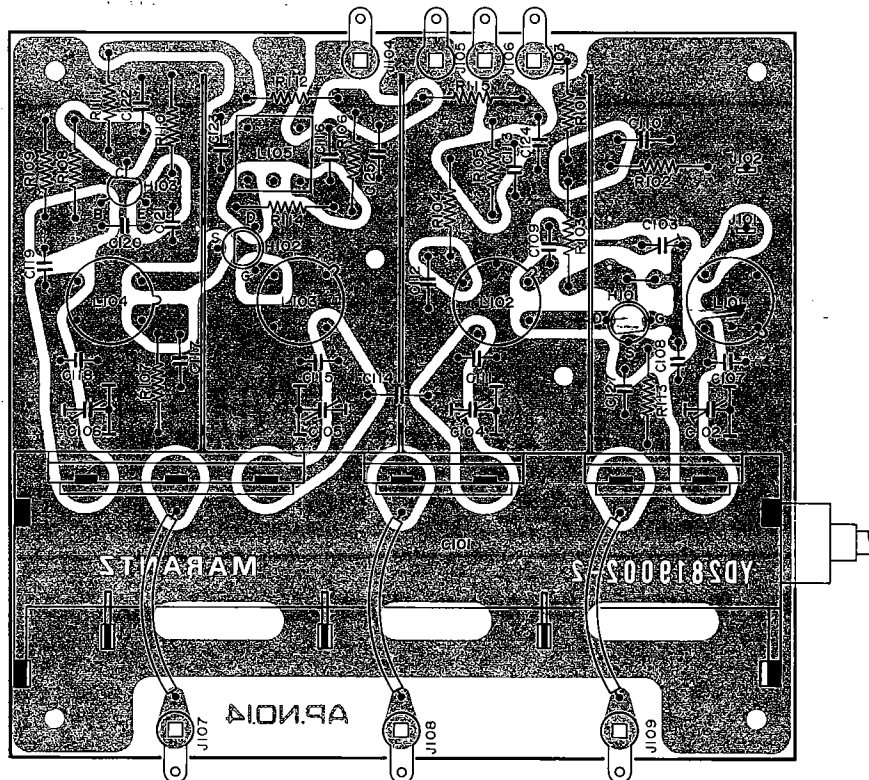


Fig. 7 FM Front End Assembly (P100) Component Locations

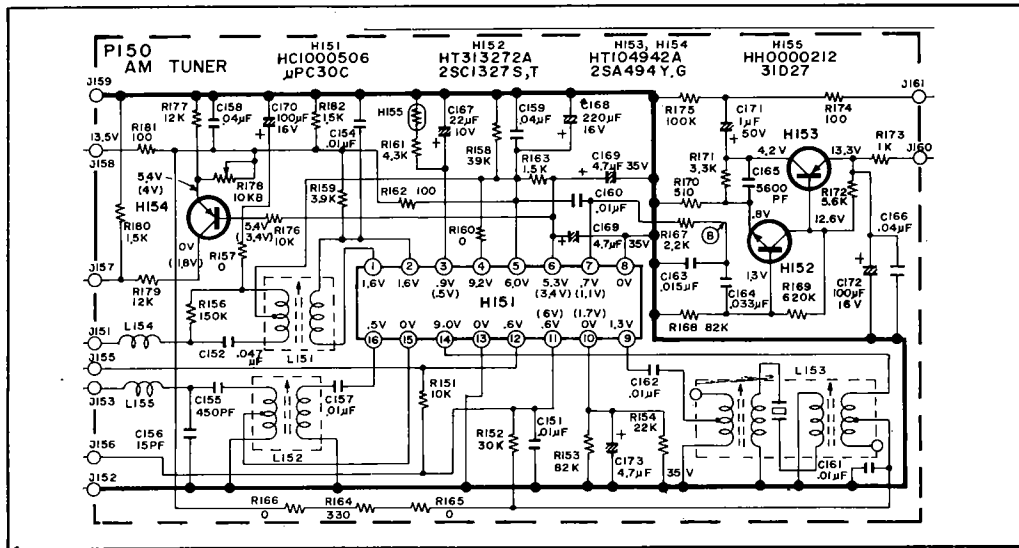


Fig. 8 AM Tuner Unit Assembly (P150) Schematic Diagram

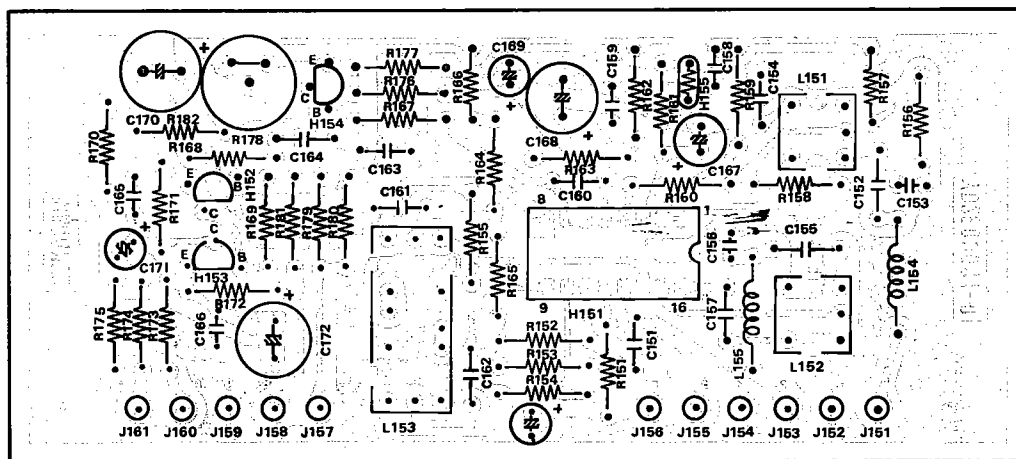


Fig. 9 AM Tuner Unit Assembly (P150) Component Locations

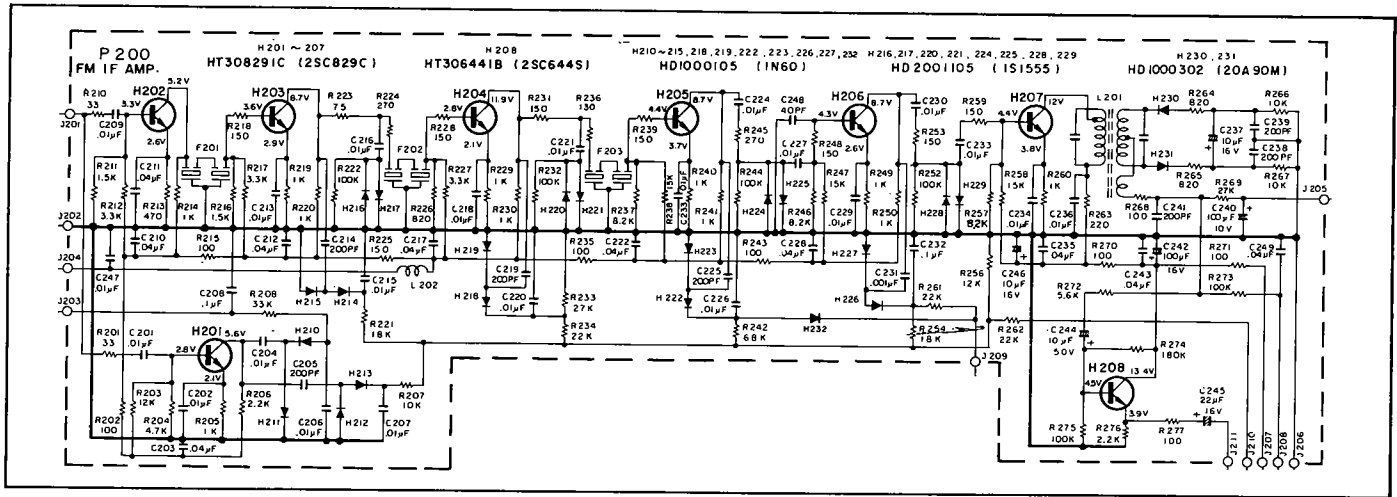


Fig. 10 FM IF Amplifier Assembly (P200) Schematic Diagram

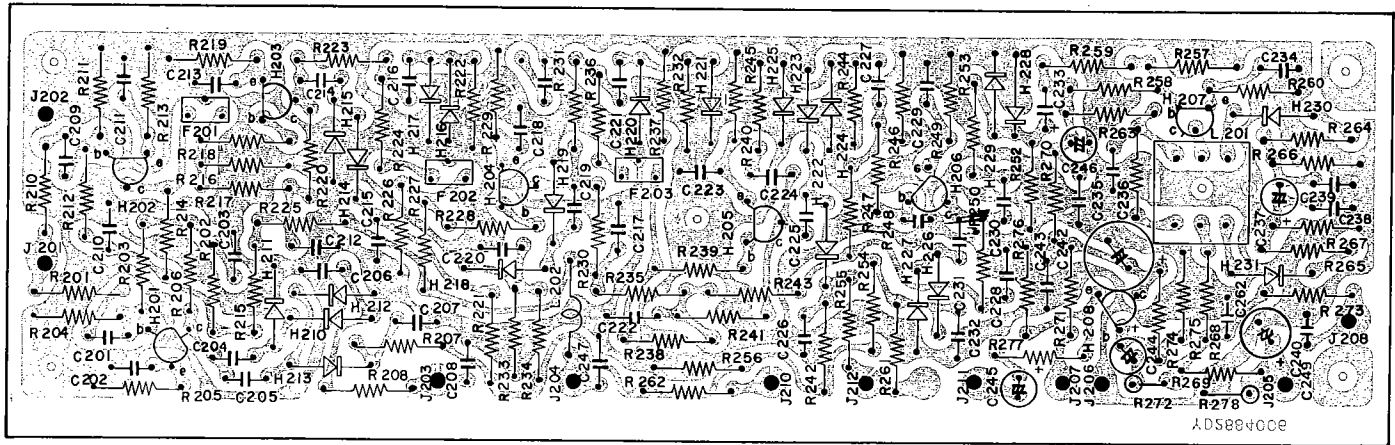


Fig. 11 FM IF Amplifier Assembly (P200) Component Locations

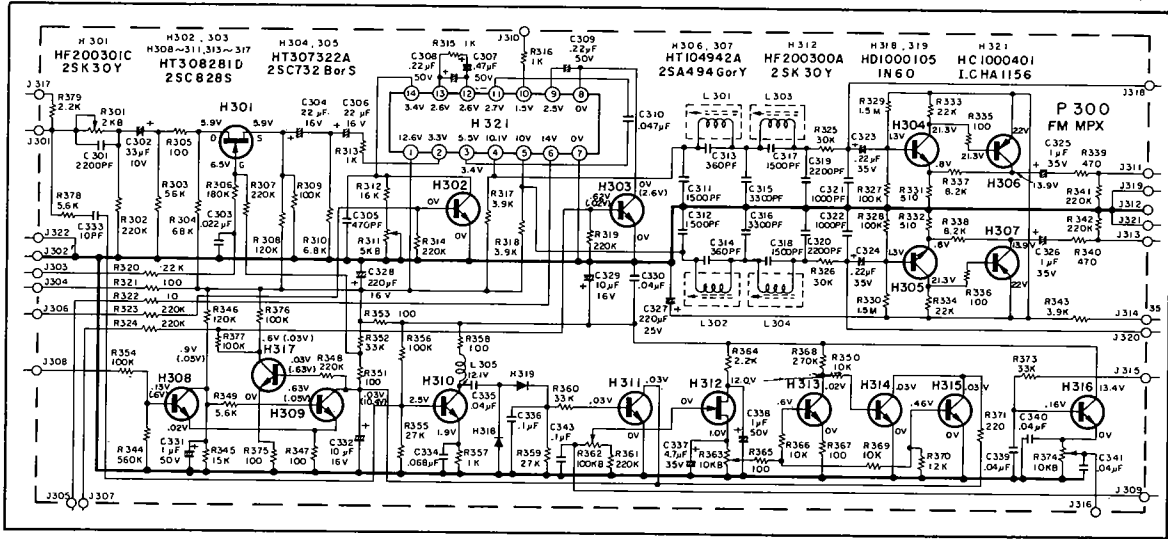


Fig. 12 MPX Stereo Decoding Amplifier Assembly (P300) Schematic Diagram

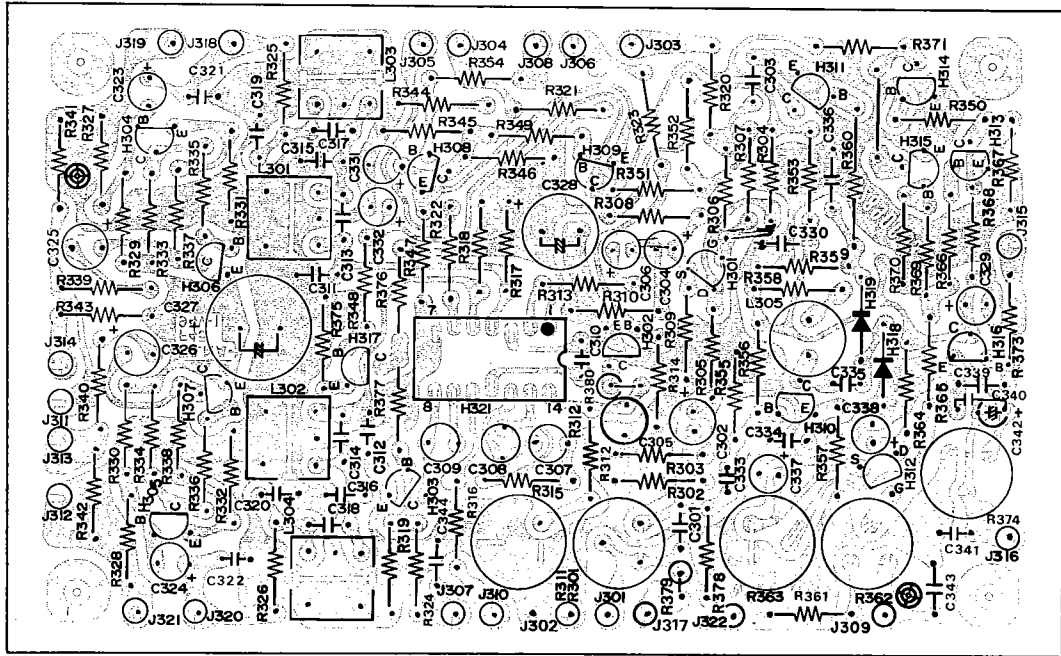


Fig. 13 MPX Stereo Decoding Amplifier Assembly (P300) Component Locations

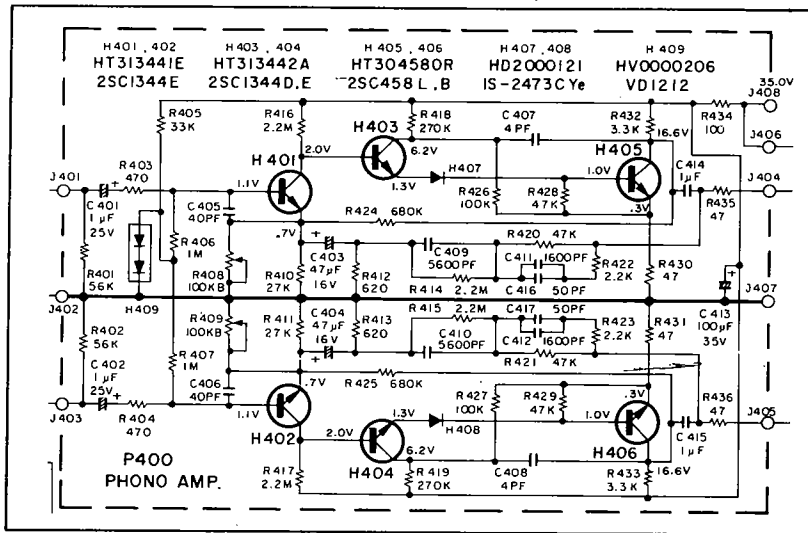


Fig. 14 Phono Amplifier Assembly (P400) Schematic Diagram

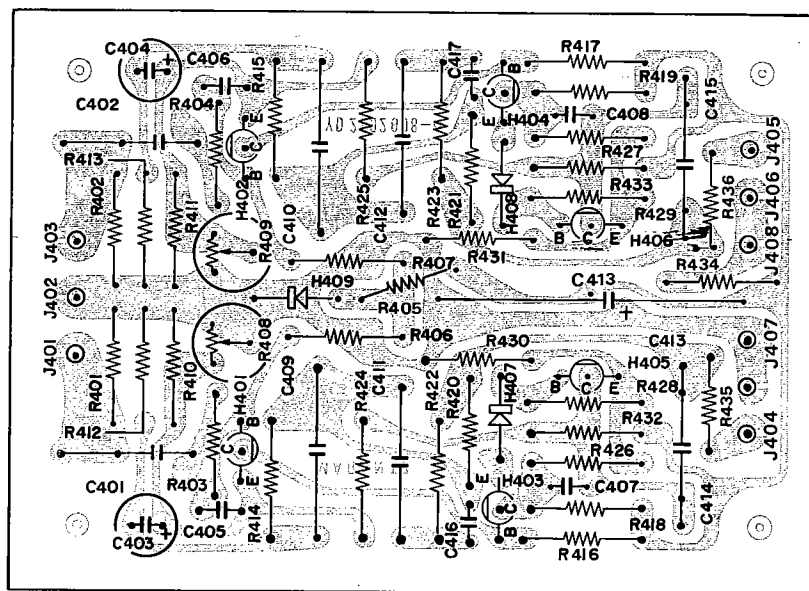


Fig. 15 Phono Amplifier Assembly (P400) Component Locations

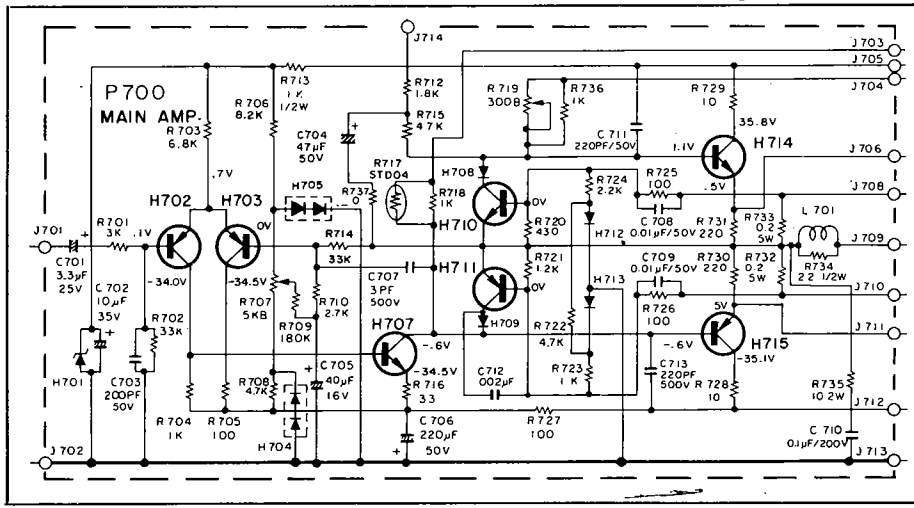


Fig. 16 Power Amplifier Assembly (P700) Schematic Diagram

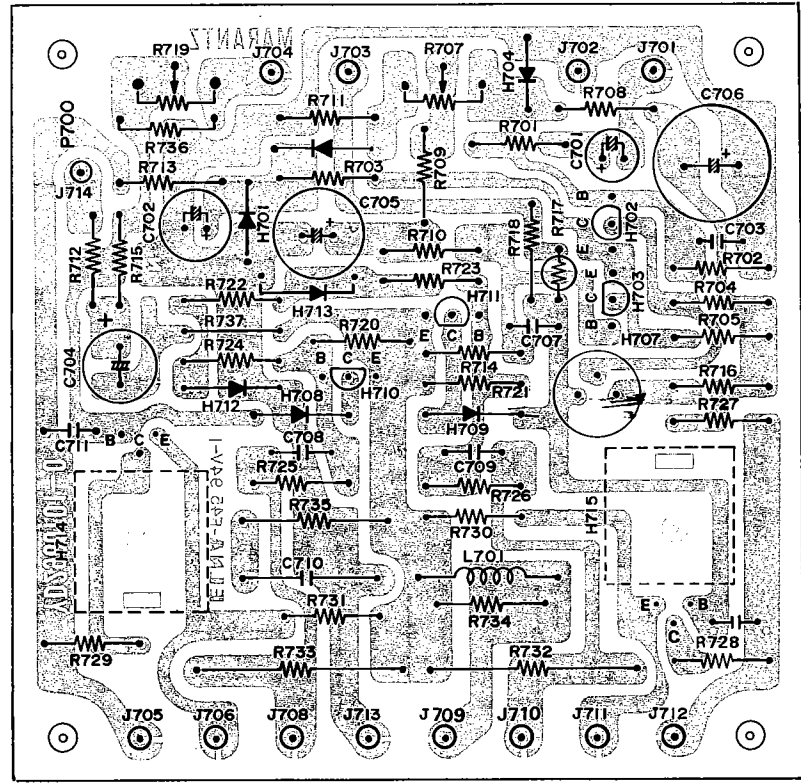


Fig. 17 Power Amplifier Assembly (P700) Component Locations

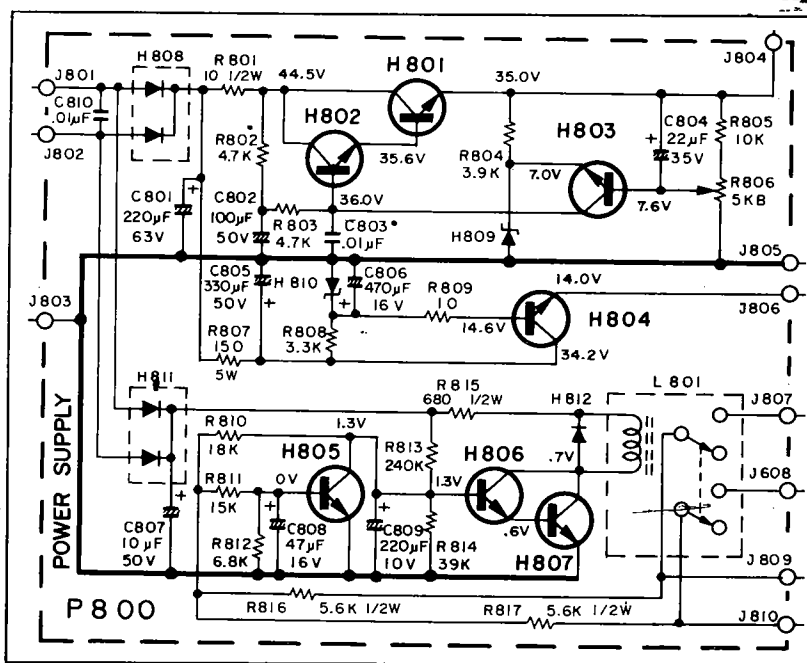


Fig. 18 Power Supply Assembly (P800) Schematic Diagram

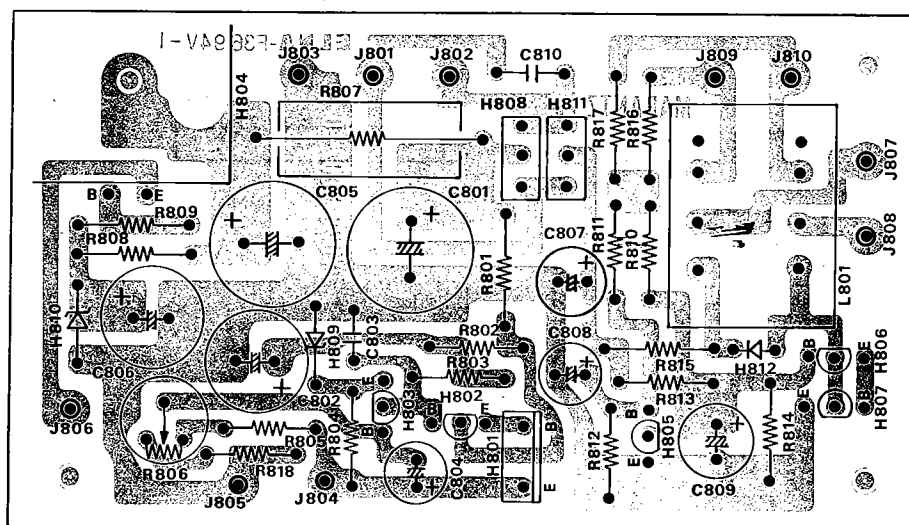


Fig. 19 Power Supply Assembly (P800) Component Locations

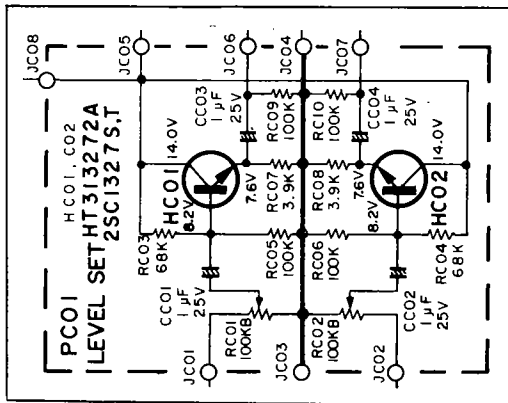


Fig. 20 Dolby Level Assembly (PC01) Schematic Diagram

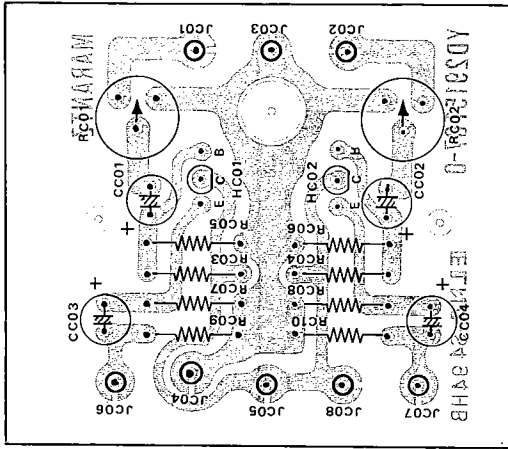


Fig. 21 Dolby Level Assembly (PC01) Component Locations

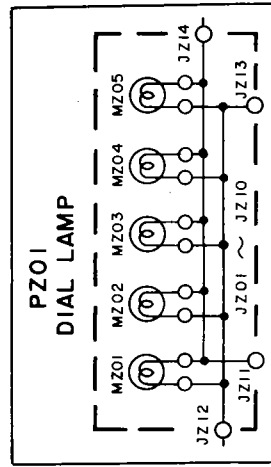


Fig. 22 Dial Lamp Assembly (PZ01) Schematic Diagram

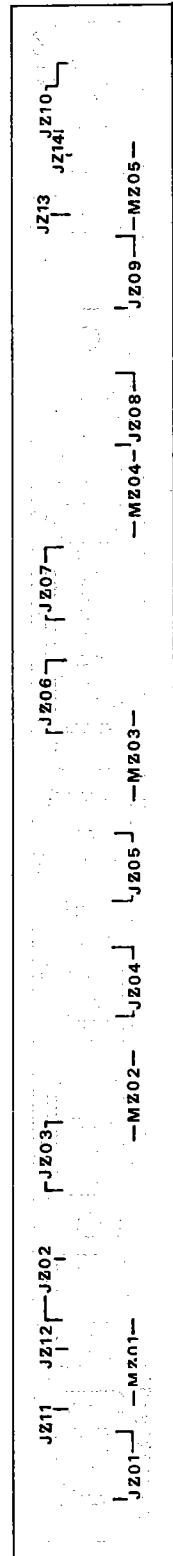


Fig. 23 Dial Lamp Assembly (PZ01) Component Locations

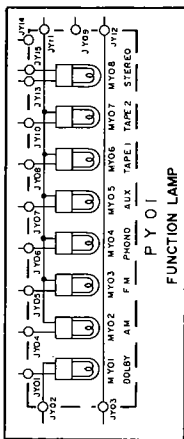


Fig. 24 Functions Lamp Assembly (PY01) Schematic Diagram

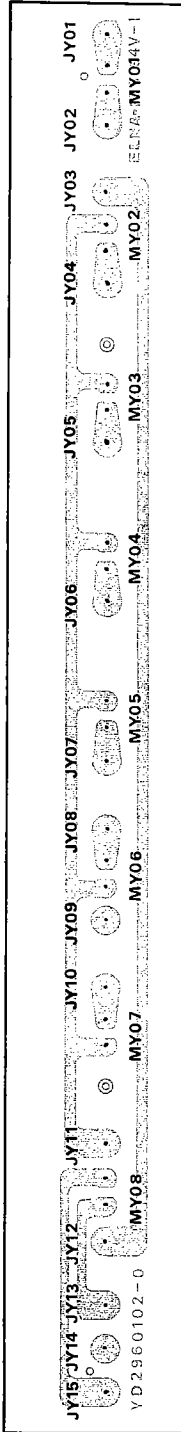


Fig. 25 Functions Lamp Assembly (PY01) Component Locations

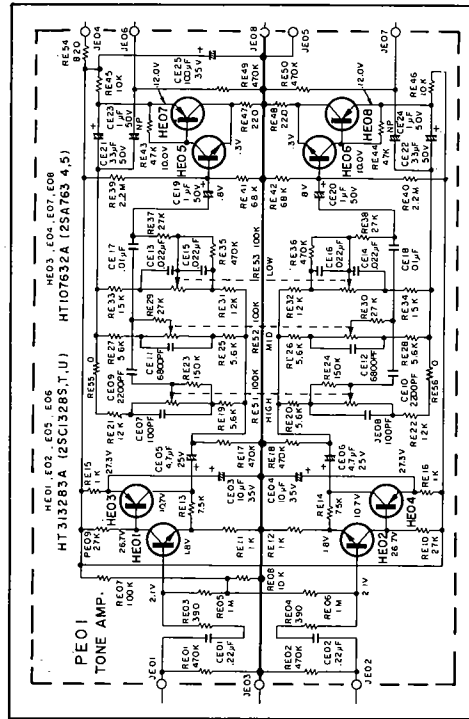


Fig. 26 Pre-Tone Amplifier Assembly (PE01) Schematic Diagram

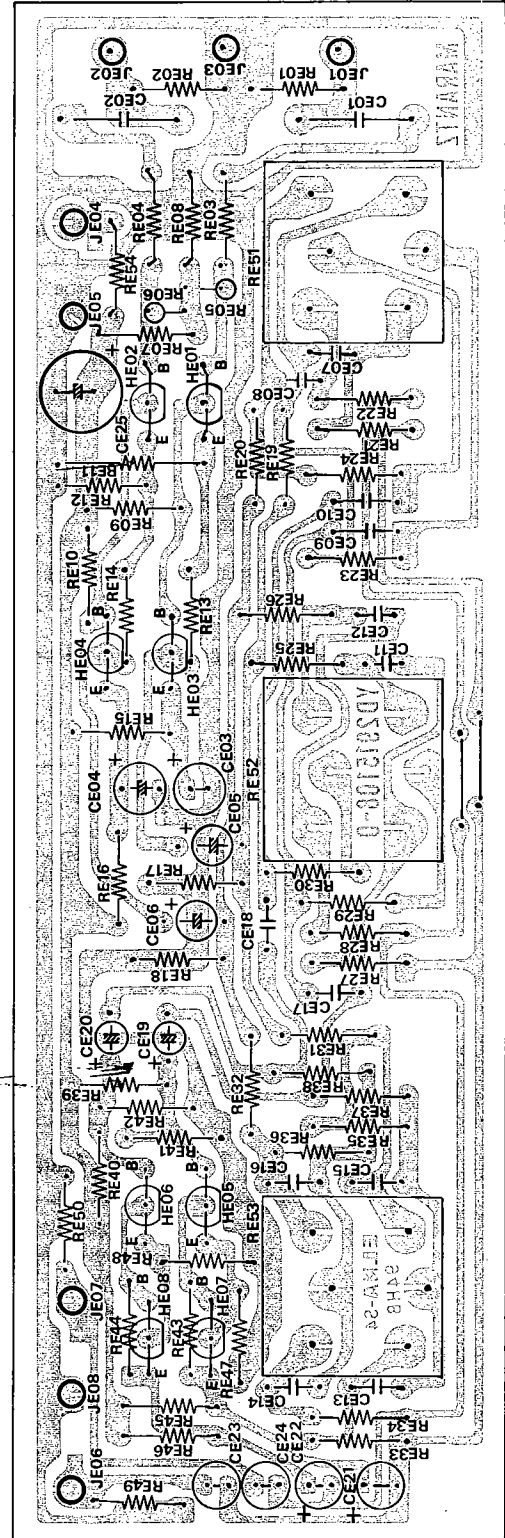


Fig. 27 Pre-Tone Amplifier Assembly (PE01) Component Locations

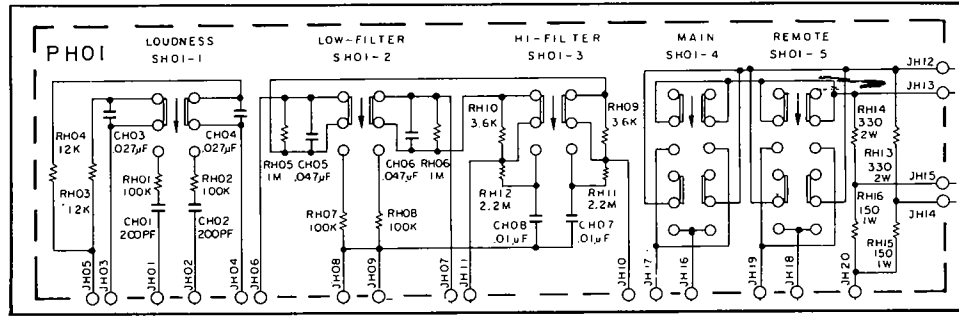


Fig. 28 High and Low Filter and Muting Switch Unit Assembly (PH01) Schematic Diagram

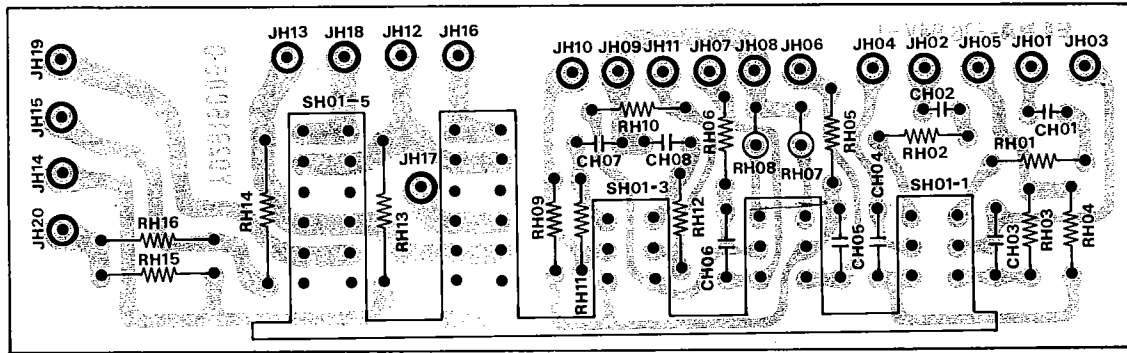


Fig. 29 High and Low Filter and Muting Switch Unit Assembly (PH01) Component Locations

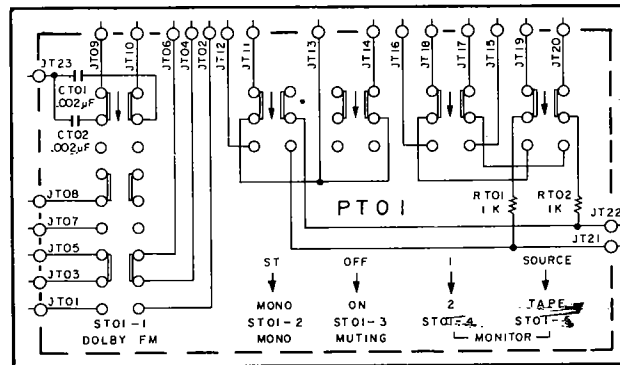


Fig. 30 Monitor Dolby Assembly (PT01) Schematic Diagram

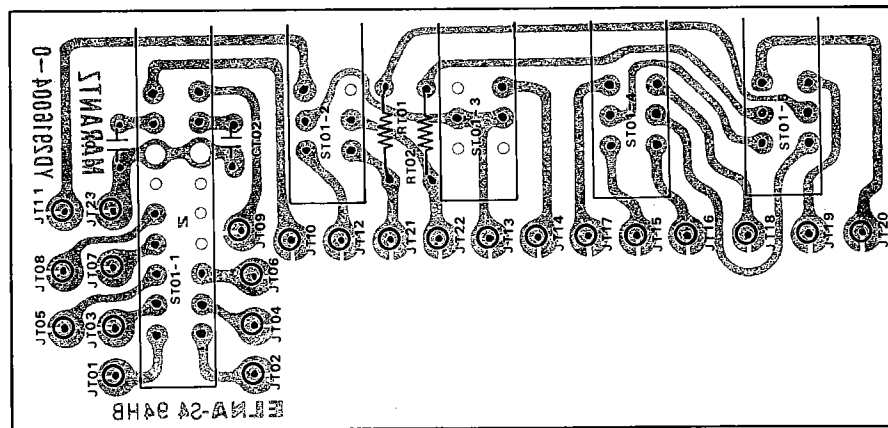


Fig. 31 Monitor Dolby Assembly (PT01) Component Locations

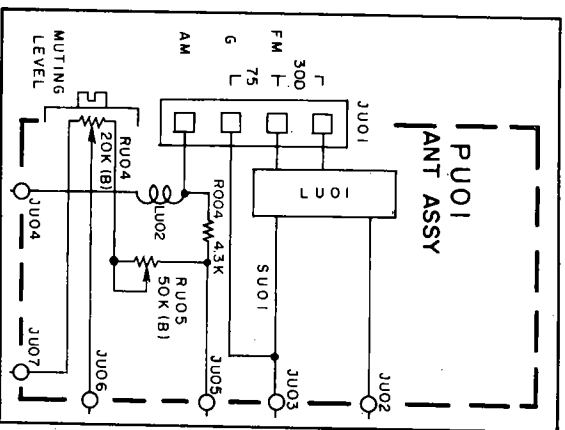


Fig. 32 ANT. Muting Assembly (PU01) Schematic Diagram

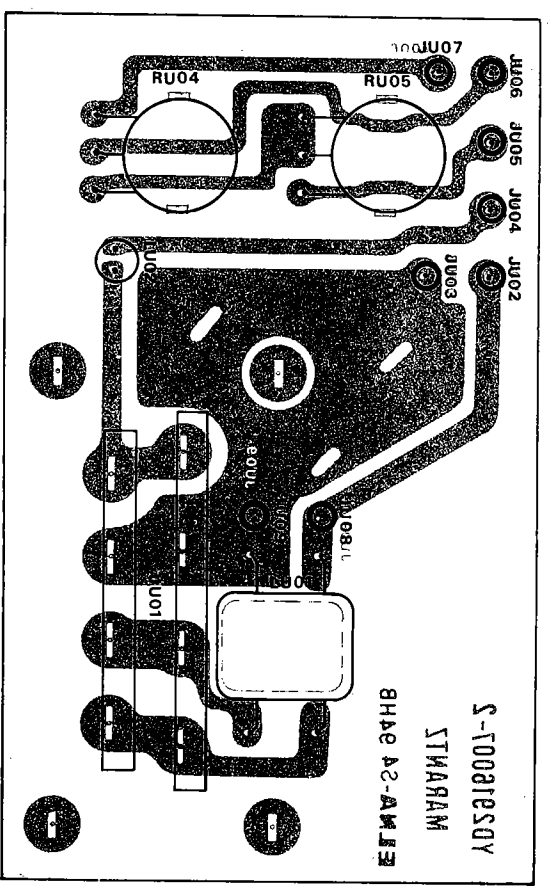


Fig. 33 ANT. Muting Assembly (PU01) Component Locations

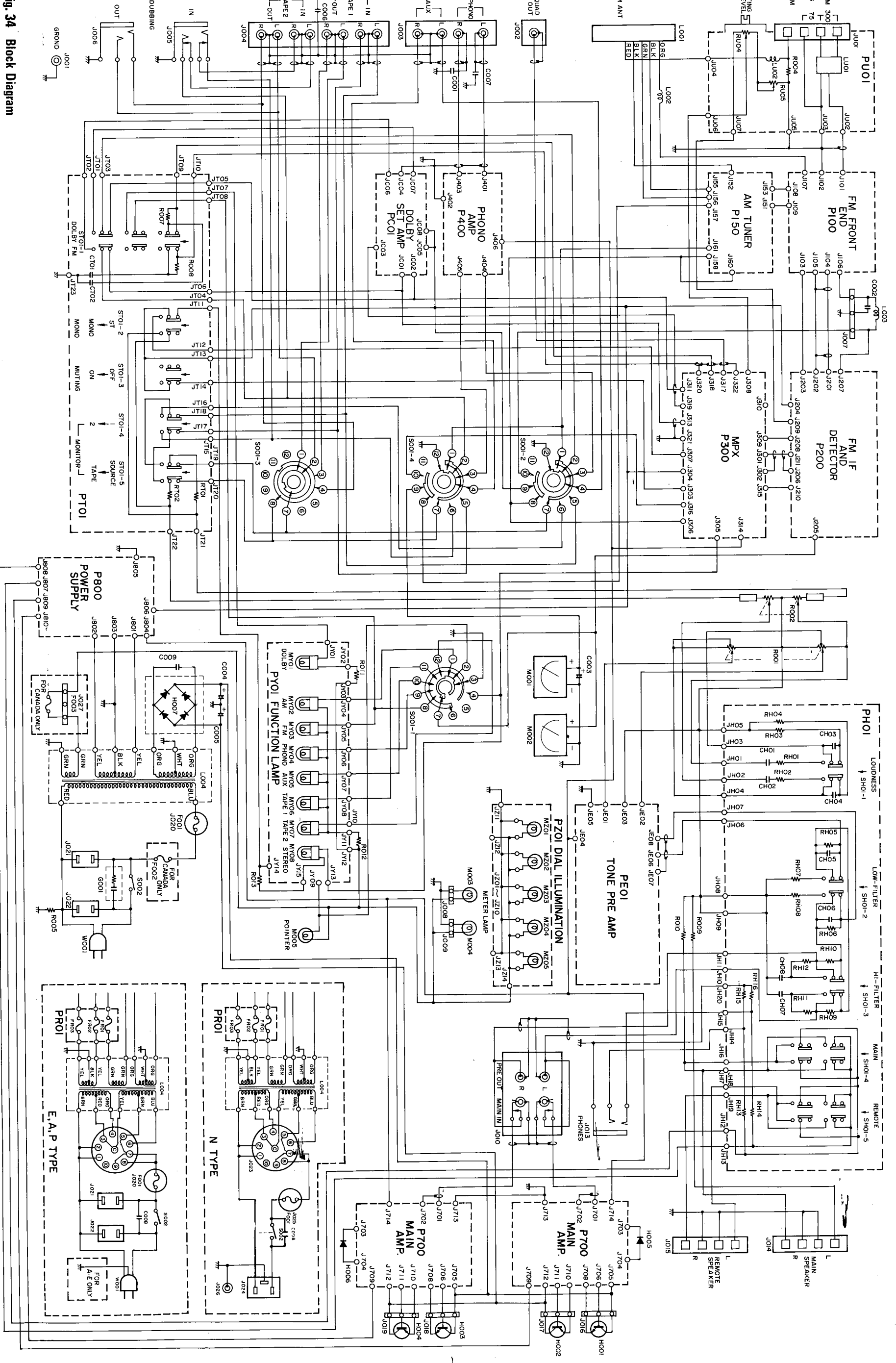


Fig. 34 Block Diagram

NOTE: This schematic diagram applied to units manufactured for the U.S.A. market.

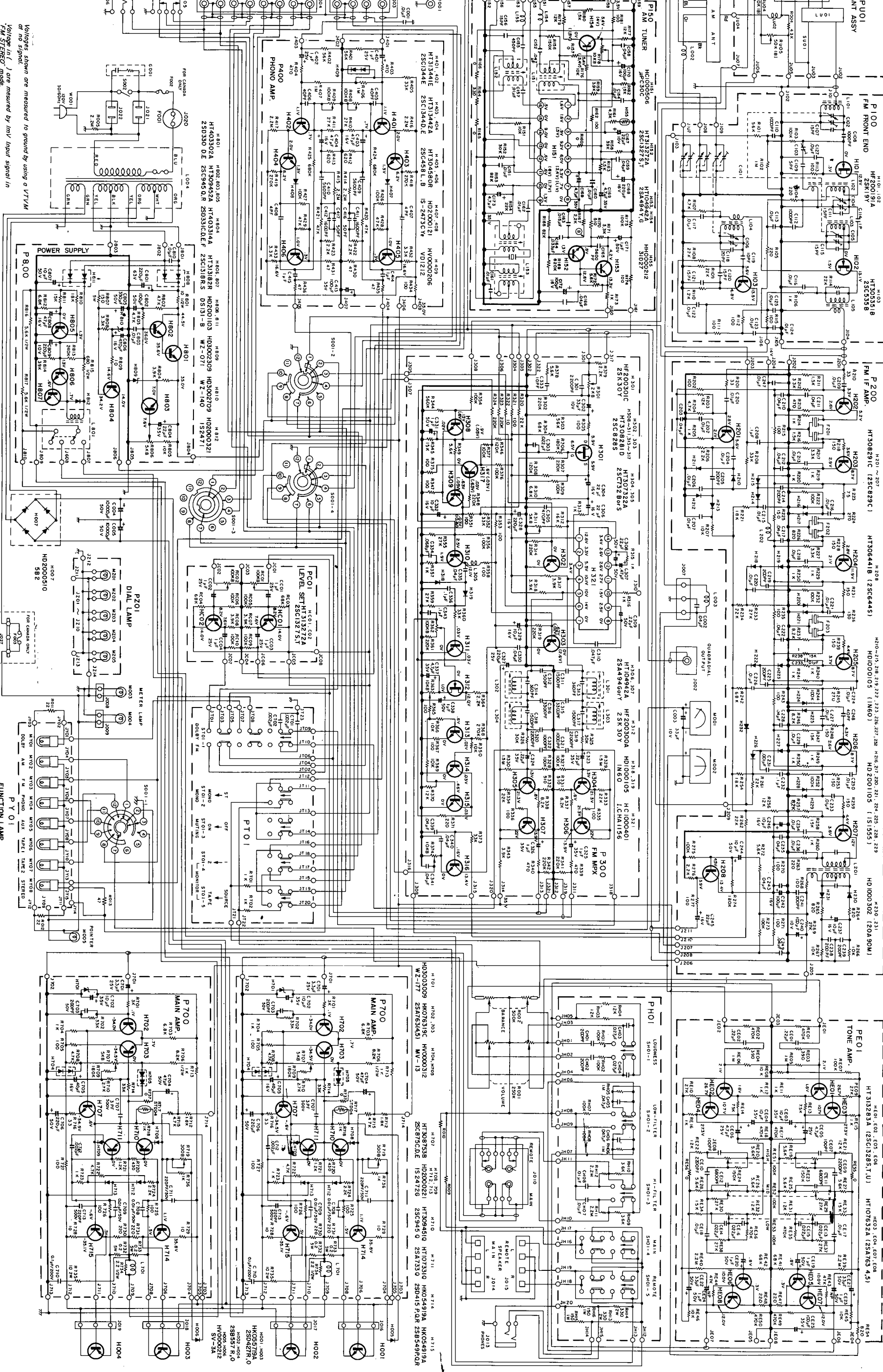


Fig. 35 Schematic Diagram

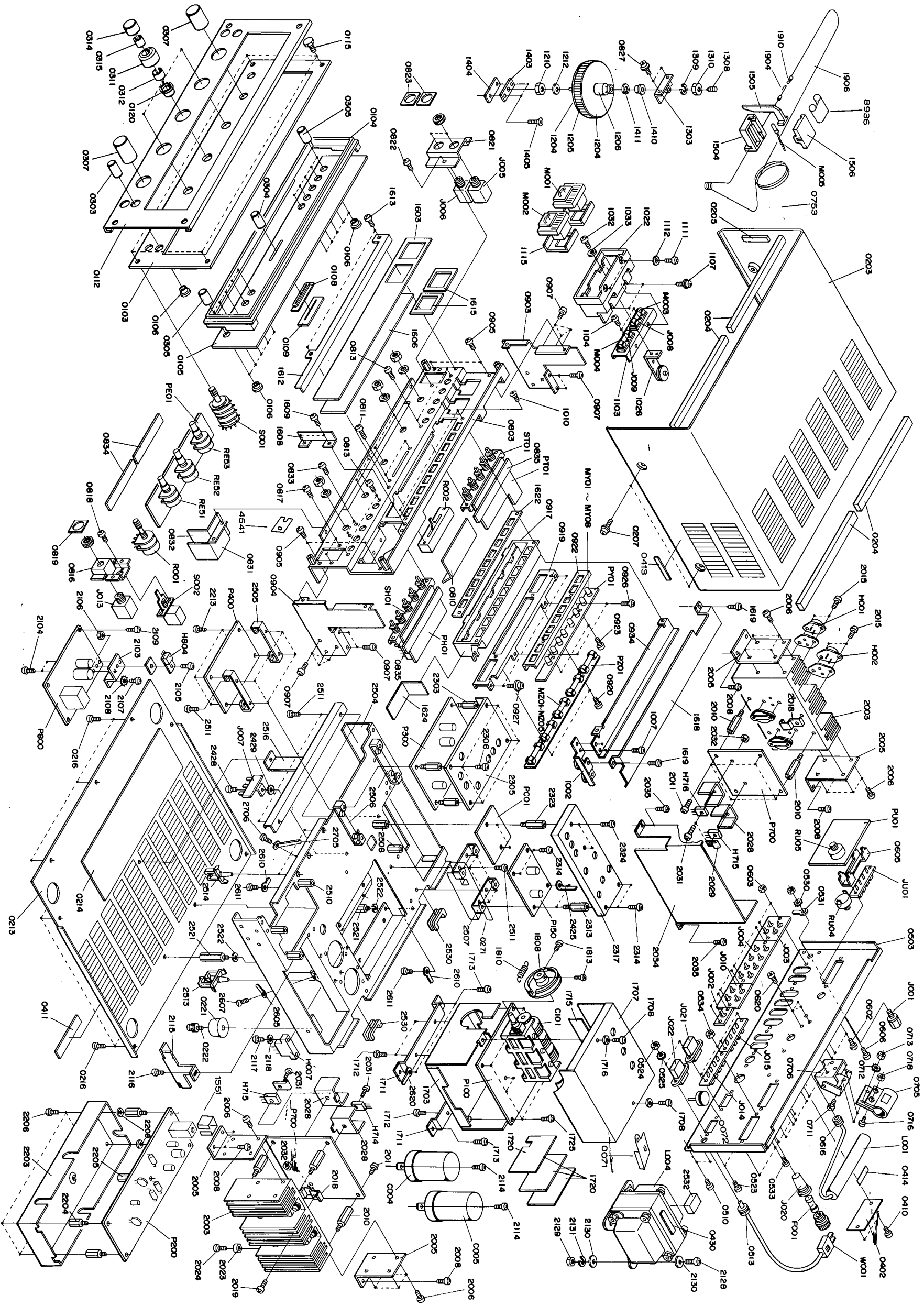


Fig. 36 Exploded Mechanical Diagram

PARTS LIST

U: For U.S.A. E: For Europe
C: For Canada N: For Scandinavia

REF DESIG.	Q'TY				PARTS NO.	DESCRIPTION	REF DESIG.	Q'TY				PARTS NO.	DESCRIPTION
	U	C	E	N				U	C	E	N		
A	1	1	1	1	297506340	Front Panel Assembly	P100	1	1	1	1	YD2819002	P.W. Board
0103	1	1	1	1	297506301	Escutcheon		1	1	1	1	ZZ2916102	P.W. Board Assembly
0104	1	1	1	1	285340101	Frame	R101	1	1	1	1	RT0556314	Resistor, 56kΩ ±5% ¼W
0105	1	1	1	1	291615801	Window	R102	1	1	1	1	RT0510514	Resistor, 1MΩ ±5% ¼W
0106	1	1	1	1	288625901	Bushing	R103	1	1	1	1	RT0510414	Resistor, 100kΩ ±5% ¼W
0108	1	1	1	1	285425901	Bushing	R104	1	1	1	1	RT0522114	Resistor, 220Ω ±5% ¼W
0109	1	1	1	1	291510701	Sheet	R105	1	1	1	1	RT0522114	Resistor, 220Ω ±5% ¼W
0112	1	1	1	1	291605301	Cover	R106	1	1	1	1	RT0510214	Resistor, 1kΩ ±5% ¼W
B	3	3	3	3	281815440	Knob Assembly	R107	1	1	1	1	RT0547214	Resistor, 4.7kΩ ±5% ¼W
0311	3	3	3	3	281815404	Knob	R108	1	1	1	1	RT0522314	Resistor, 22kΩ ±5% ¼W
0312	3	3	3	3	71400149Q	Spring	R109	1	1	1	1	RT0522314	Resistor, 22kΩ ±5% ¼W
C	3	3	3	3	281815441	Knob Assembly	R110	1	1	1	1	RT0512214	Resistor, 1.2kΩ ±5% ¼W
0314	3	3	3	3	281815405	Knob	R111	1	1	1	1	RT0510114	Resistor, 100Ω ±5% ¼W
0315	3	3	3	3	71400159Q	Spring	R112	1	1	1	1	RT0510114	Resistor, 100Ω ±5% ¼W
D	1	1	1	1	285327340	Flywheel Assembly	R113	1	1	1	1	RT0510114	Resistor, 100Ω ±5% ¼W
1204	2	2	2	2	257706302	Escutcheon	R114	1	1	1	1	RT0522314	Resistor, 22kΩ ±5% ¼W
1205	1	1	1	1	257727301	Flywheel	R115	1	1	1	1	RT0510114	Resistor, 100Ω ±5% ¼W
1206	1	1	1	1	285311201	Shaft	C101	1	1	1	1	CA4330001	Variable Cap.,
1210	1	1	1	1	53110603E	Hexagon Nut	C102	1	1	1	1	CT1100001	Trimming Cap., 1.5~10PF
1212	1	1	1	1	54020601E	Flat Washer, P	C103	1	1	1	1	CT1100002	Trimming Cap., 1.5~10PF
E	1	1	1	1	291510340	Pointer Assembly	C104	1	1	1	1	CT1100001	Trimming Cap., 1.5~10PF
1504	1	1	1	1	291510301	Pointer	C105	1	1	1	1	CT1100001	Trimming Cap., 1.5~10PF
1505	1	1	1	1	281810302	Pointer	C106	1	1	1	1	CT1100001	Trimming Cap., 1.5~10PF
1506	1	1	1	1	291510302	Pointer	C107	1	1	1	1	DD1615001	Ceramic Cap., 15PF ±10%
8936	1	1	1	1	291526703	Heatsink	C108	1	1	1	1	DK1710201	Ceramic Cap., 1000PF ±20%
M005	1	1	1	1	IN1008030	Lamp	C109	1	1	1	1	DD1105001	Ceramic Cap., 5PF ±0.5PF
F	1	1	1	1	281915943	Drum Assembly	C110	1	1	1	1	DK1710201	Ceramic Cap., 1000PF ±20%
1808	1	1	1	1	281915901	Drum	C111	1	1	1	1	DD1615001	Ceramic Cap., 15PF ±10%
1810	1	1	1	1	71101689L	Spring	C112	1	1	1	1	DK1710201	Ceramic Cap., 1000PF ±20%
1813	2	2	2	2	51064019A	Screw	C113	1	1	1	1	DK1710301	Ceramic Cap., 0.01μF ±20%
G	1	1	1	1	120200640	Hook Assembly	C114	1	1	1	1	DD1001001	Ceramic Cap., 1PF ±0.25%
1904	1	1	1	1	120225801	Hook	C115	1	1	1	1	DD1615001	Ceramic Cap., 15PF ±10%
1906	1	1	1	1	72080802A	String	C116	1	1	1	1	DK1710301	Ceramic Cap., 0.01μF ±20%
H	1	1	1	1	291625742	Lid Assembly, Upper	C117	1	1	1	1	DK1710301	Ceramic Cap., 0.01μF ±20%
0203	1	1	1	1	291625701	Lid	C118	1	1	1	1	DD1520002	Ceramic Cap., 20PF ±5%
0204	5	5	5	5	257711807	Spacer	C119	1	1	1	1	DD1210006	Ceramic Cap., 10PF ±1PF
0205	4	4	4	4	285605601	Buffer	C120	1	1	1	1	DD1615003	Ceramic Cap., 15PF ±10%
I	1	1			291625741	Lid Assembly, Lower	C121	1	1	1	1	DD1615003	Ceramic Cap., 15PF ±10%
I1			1		291625743	Lid Assembly, Lower	C122	1	1	1	1	DK1710301	Ceramic Cap., 0.01μF ±20%
0213	1	1	1	1	291625702	Lid	C123	1	1	1	1	DK1710301	Ceramic Cap., 0.01μF ±20%
0214	1	1	1	1	291512001	Insulator	C124	1	1	1	1	DK1710301	Ceramic Cap., 0.01μF ±20%
0215			1		250712001	Insulator	C125	1	1	1	1	DK1710301	Ceramic Cap., 0.01μF ±20%
J			1		297516040	Rear Panel Assembly	L101	1	1	1	1	LA1202603	Ant. Coil
0505			1		297516022	Bracket	L102	1	1	1	1	LA1202604	RF. Coil
0516			1		282125901	Bushing	L103	1	1	1	1	LA1202605	RF. Coil
0517			2		55060305S	T.R. Rivet	L104	1	1	1	1	LO1202608	Osc. Coil
							L105	1	1	1	1	LT1001601	I.F.T.
							H101	1	1	1	1	HF200191A	Transistor, 2SK19Y
							H102	1	1	1	1	HF200191A	Transistor, 2SK19Y
							H103	1	1	1	1	HT305351B	Transistor, 2SC535B
							J101	1	1	1	1	YP1000094	Plug
							J102	1	1	1	1	YP1000094	Plug
							J103	1	1	1	1	57271240W	Lug Eyelet
							J104	1	1	1	1	57271240W	Lug Eyelet

REF DESIG.	QTY				PARTS NO.	DESCRIPTION
	U	C	E	N		
J105	1	1	1	1	57271240W	Lug Eyelet
J106	1	1	1	1	57271240W	Lug Eyelet
J107	1	1	1	1	57271240W	Lug Eyelet
J108	1	1	1	1	57271240W	Lug Eyelet
J109	1	1	1	1	57221240W	Lug Eyelet
1720	3	3	3	3	273010903	Shield
1725	5	5	5	5	51100306S	B.H.M. Screw, B3 x 6
1703	1	1	1	1	273010950	Shield, K
0536	1	1	1	1	291612003	Insulator
1711	2	2	2	2	281916008	Bracket
1712	4	4	4	4	51100306A	B.H.M. Screw, B3 x 6
1722	1	1	1	1	341105605	Buffer
P150 AM TUNER BOARD						
P150	1	1	1	1	YD2909001	P.W. Board
	1	1	1	1	ZZ2975101	P.W. Board Assembly
P158	2	2	2	2	293311802	Spacer
R151	1	1	1	1	RT0510314	Resistor, 10kΩ ±5% ¼W
R152	1	1	1	1	RT0530314	Resistor, 30kΩ ±5% ¼W
R153	1	1	1	1	RT0582314	Resistor, 82kΩ ±5% ¼W
R154	1	1	1	1	RT0522314	Resistor, 22kΩ ±5% ¼W
R156	1	1	1	1	RT0510414	Resistor, 100kΩ ±5% ¼W
R157	1	1	1	1	RC0000014	Resistor, 0Ω
R158	1	1	1	1	RT0539314	Resistor, 39kΩ ±5% ¼W
R159	1	1	1	1	RT0539214	Resistor, 3.9kΩ ±5% ¼W
R160	1	1	1	1	RC0000012	Resistor, 0Ω
R161	1	1	1	1	RT0543214	Resistor, 4.3kΩ ±5% ¼W
R162	1	1	1	1	RT0510114	Resistor, 100Ω ±5% ¼W
R163	1	1	1	1	RT0515214	Resistor, 1.5kΩ ±5% ¼W
R164	1	1	1	1	RT0533114	Resistor, 330Ω ±5% ¼W
R165	1	1	1	1	RC0000014	Resistor, 0Ω
R166	1	1	1	1	RC0000014	Resistor, 0Ω
R167	1	1	1	1	RT0522214	Resistor, 2.2kΩ ±5% ¼W
R168	1	1	1	1	RT0582314	Resistor, 82kΩ ±5% ¼W
R169	1	1	1	1	RT0562414	Resistor, 620kΩ ±5% ¼W
R170	1	1	1	1	RT0551114	Resistor, 510Ω ±5% ¼W
R171	1	1	1	1	RT0522214	Resistor, 2.2kΩ ±5% ¼W
R172	1	1	1	1	RT0556214	Resistor, 5.6kΩ ±5% ¼W
R173	1	1	1	1	RT0510214	Resistor, 1kΩ ±5% ¼W
R174	1	1	1	1	RT0510114	Resistor, 100Ω ±5% ¼W
R175	1	1	1	1	RT0510414	Resistor, 100kΩ ±5% ¼W
R176	1	1	1	1	RT0510314	Resistor, 10kΩ ±5% ¼W
R177	1	1	1	1	RT0512314	Resistor, 12kΩ ±5% ¼W
R178	1	1	1	1	RA0103025	Trimming Resistor, 10kΩ B
R179	1	1	1	1	RT0510314	Resistor, 10kΩ ±5% ¼W
R180	1	1	1	1	RT0515214	Resistor, 1.5kΩ ±5% ¼W
R181	1	1	1	1	RT0510114	Resistor, 100Ω ±5% ¼W
R182	1	1	1	1	RT0515214	Resistor, 1.5kΩ ±5% ¼W
C151	1	1	1	1	DK1710301	Ceramic Cap., 0.01μF ±20%
C152	1	1	1	1	DF1747305	Film Cap., 0.047μF ±20%
C154	1	1	1	1	DK1710301	Ceramic Cap., 0.01μF ±20%
C155	1	1	1	1	DF6545101	Film Cap., 450PF ±5%
C156	1	1	1	1	DD1615001	Ceramic Cap., 15PF ±10%
C157	1	1	1	1	DK1710301	Ceramic Cap., 0.01μF ±20%
C158	1	1	1	1	DK1840302	Ceramic Cap., 0.04μF ±20%
C159	1	1	1	1	DK1840302	Ceramic Cap., 0.04μF ±20%

REF DESIG.	QTY				PARTS NO.	DESCRIPTION
	U	C	E	N		
C160	1	1	1	1	DK1710301	Ceramic Cap., 0.01μF ±20%
C161	1	1	1	1	DK1710301	Ceramic Cap., 0.01μF ±20%
C162	1	1	1	1	DK1710301	Ceramic Cap., 0.01μF ±20%
C163	1	1	1	1	DF1615305	Film Cap., 0.015μF ±10%
C164	1	1	1	1	DF1627305	Film Cap., 0.027μF ±10%
C165	1	1	1	1	DF1756205	Film Cap., 5600PF ±20%
C166	1	1	1	1	DK1840302	Ceramic Cap., 0.04μF ±20%
C167	1	1	1	1	EA2260169	Electrolytic Cap., 22μF 16V
C168	1	1	1	1	EA1070169	Electrolytic Cap., 100μF 16V
C169	1	1	1	1	EA4750359	Electrolytic Cap., 4.7μF 35V
C170	1	1	1	1	EA1070169	Electrolytic Cap., 100μF 16V
C171	1	1	1	1	EE1050501	Electrolytic Cap., 1μF 50V
C172	1	1	1	1	EA1070169	Electrolytic Cap., 100μF 16V
C173	1	1	1	1	EA4750359	Electrolytic Cap., 4.7μF 35V
H151	1	1	1	1	HC1000506	I.C., μPC30C NEC
H152	1	1	1	1	HT313272A	Transistor, 2SC1327 S.T
H153	1	1	1	1	HT108422A	Transistor, 2SA842 G.B
H154	1	1	1	1	HT104952A	Transistor, 2SA495 Y.O
H155	1	1	1	1	HT0000212	Thermistor, 31D27
L151	1	1	1	1	LA1001019	RF Coil, AM RF
L152	1	1	1	1	LO1001050	Osc. Coil, AM OSC
L153	1	1	1	1	LI1028003	I.F.T., AM Ceramic Filt.
L154	1	1	1	1	LC1332002	Choke Coil, 3.3μH
L155	1	1	1	1	LC1332002	Choke Coil, 3.3μH
J151	1	1	1	1	YP1000113	Plug
J152	1	1	1	1	YP1000113	Plug
J153	1	1	1	1	YP1000113	Plug
J155	1	1	1	1	YP1000113	Plug
J158	4	4	4	4	YP1000113	Plug
J160	1	1	1	1	YP1000113	Plug
J161	1	1	1	1	YP1000113	Plug
P200 FM IF BOARD						
P200	1	1	1	1	YD2884006	P.W. Board
	1	1	1	1	ZZ2975106	P.W. Board Assembly
P208	2	2	2	2	293311802	Spacer
R201	1	1	1	1	RT0533014	Resistor, 33Ω ±5% ¼W
R202	1	1	1	1	RT0510114	Resistor, 100Ω ±5% ¼W
R203	1	1	1	1	RT0512314	Resistor, 12kΩ ±5% ¼W
R204	1	1	1	1	RT0547214	Resistor, 4.7kΩ ±5% ¼W
R205	1	1	1	1	RT0510214	Resistor, 1kΩ ±5% ¼W
R206	1	1	1	1	RT0522214	Resistor, 2.2kΩ ±5% ¼W
R207	1	1	1	1	RT0510314	Resistor, 10kΩ ±5% ¼W
R208	1	1	1	1	RT0533314	Resistor, 33kΩ ±5% ¼W
R210	1	1	1	1	RT0533014	Resistor, 33Ω ±5% ¼W
R211	1	1	1	1	RT0515214	Resistor, 1.5kΩ ±5% ¼W
R212	1	1	1	1	RT0533214	Resistor, 3.3kΩ ±5% ¼W
R213	1	1	1	1	RT0547114	Resistor, 470Ω ±5% ¼W
R214	1	1	1	1	RT0510214	Resistor, 1kΩ ±5% ¼W
R215	1	1	1	1	RT0510114	Resistor, 100Ω ±5% ¼W
R216	1	1	1	1	RT0515214	Resistor, 1.5kΩ ±5% ¼W
R217	1	1	1	1	RT0533214	Resistor, 3.3kΩ ±5% ¼W
R218	1	1	1	1	RT0515114	Resistor, 150Ω ±5% ¼W
R219	1	1	1	1	RT0510214	Resistor, 1kΩ ±5% ¼W
R220	1	1	1	1	RT0510214	Resistor, 1kΩ ±5% ¼W

U: For U.S.A. E: For Europe
C: For Canada N: For Scandinavia

REF DESIG.	Q'TY				PARTS NO.	DESCRIPTION	REF DESIG.	Q'TY				PARTS NO.	DESCRIPTION
	U	C	E	N				U	C	E	N		
R221	1	1	1	1	RT0518314	Resistor, 18kΩ ±5% ¼W	C201	1	1	1	1	DK1710301	Ceramic Cap., 0.01μF ±20%
R222	1	1	1	1	RT0510414	Resistor, 100kΩ ±5% ¼W	C202	1	1	1	1	DK1710301	Ceramic Cap., 0.01μF ±20%
R223	1	1	1	1	RT0575014	Resistor, 75Ω ±5% ¼W	C203	1	1	1	1	DK1840302	Ceramic Cap., 0.04μF ±20%
R224	1	1	1	1	RT0527114	Resistor, 270Ω ±5% ¼W	C204	1	1	1	1	DK1710301	Ceramic Cap., 0.01μF ±20%
R225	1	1	1	1	RT0515114	Resistor, 150Ω ±5% ¼W	C205	1	1	1	1	DD1620101	Ceramic Cap., 200PF ±10%
R226	1	1	1	1	RT0515214	Resistor, 1.5kΩ ±5% ¼W	C206	1	1	1	1	DK1710301	Ceramic Cap., 0.01μF ±20%
R227	1	1	1	1	RT0533214	Resistor, 3.3kΩ ±5% ¼W	C207	1	1	1	1	DK1710301	Ceramic Cap., 0.01μF ±20%
R228	1	1	1	1	RT0515114	Resistor, 150Ω ±5% ¼W	C208	1	1	1	1	DK1810402	Ceramic Cap., 0.1μF ±20%
R229	1	1	1	1	RT0510214	Resistor, 1kΩ ±5% ¼W	C209	1	1	1	1	DK1710301	Ceramic Cap., 0.01μF ±20%
R230	1	1	1	1	RT0510214	Resistor, 1kΩ ±5% ¼W	C210	1	1	1	1	DK1840302	Ceramic Cap., 0.04μF ±20%
R231	1	1	1	1	RT0515114	Resistor, 150Ω ±5% ¼W	C211	1	1	1	1	DK1840302	Ceramic Cap., 0.04μF ±20%
R232	1	1	1	1	RT0510414	Resistor, 100kΩ ±5% ¼W	C212	1	1	1	1	DK1840302	Ceramic Cap., 0.04μF ±20%
R233	1	1	1	1	RT0527314	Resistor, 27kΩ ±5% ¼W	C213	1	1	1	1	DK1710301	Ceramic Cap., 0.01μF ±20%
R234	1	1	1	1	RT0533414	Resistor, 330kΩ ±5% ¼W	C214	1	1	1	1	DD1620101	Ceramic Cap., 200PF ±10%
R235	1	1	1	1	RT0510114	Resistor, 100Ω ±5% ¼W	C215	1	1	1	1	DK1710301	Ceramic Cap., 0.01μF ±20%
R236	1	1	1	1	RT0527114	Resistor, 270Ω ±5% ¼W	C216	1	1	1	1	DK1710301	Ceramic Cap., 0.01μF ±20%
R237	1	1	1	1	RT0582214	Resistor, 8.2kΩ ±5% ¼W	C217	1	1	1	1	DK1840302	Ceramic Cap., 0.04μF ±20%
R238	1	1	1	1	RT0515314	Resistor, 15kΩ ±5% ¼W	C218	1	1	1	1	DK1710301	Ceramic Cap., 0.01μF ±20%
R239	1	1	1	1	RT0515114	Resistor, 150Ω ±5% ¼W	C219	1	1	1	1	DD1620101	Ceramic Cap., 200PF ±10%
R240	1	1	1	1	RT0510214	Resistor, 1kΩ ±5% ¼W	C220	1	1	1	1	DK1710301	Ceramic Cap., 0.01μF ±20%
R241	1	1	1	1	RT0510214	Resistor, 1kΩ ±5% ¼W	C221	1	1	1	1	DK1710301	Ceramic Cap., 0.01μF ±20%
R242	1	1	1	1	RT0568314	Resistor, 68kΩ ±5% ¼W	C222	1	1	1	1	DK1840302	Ceramic Cap., 0.04μF ±20%
R243	1	1	1	1	RT0510114	Resistor, 100Ω ±5% ¼W	C223	1	1	1	1	DK1710301	Ceramic Cap., 0.01μF ±20%
R244	1	1	1	1	RT0510414	Resistor, 100kΩ ±5% ¼W	C224	1	1	1	1	DK1710301	Ceramic Cap., 0.01μF ±20%
R245	1	1	1	1	RT0527114	Resistor, 270Ω ±5% ¼W	C225	1	1	1	1	DD1620101	Ceramic Cap., 200PF ±10%
R246	1	1	1	1	RT0582214	Resistor, 8.2kΩ ±5% ¼W	C226	1	1	1	1	DK1710301	Ceramic Cap., 0.01μF ±20%
R247	1	1	1	1	RT0515314	Resistor, 15kΩ ±5% ¼W	C227	1	1	1	1	DK1710301	Ceramic Cap., 0.01μF ±20%
R248	1	1	1	1	RT0515114	Resistor, 150Ω ±5% ¼W	C228	1	1	1	1	DK1840301	Ceramic Cap., 0.04μF ±20%
R249	1	1	1	1	RT0510214	Resistor, 1kΩ ±5% ¼W	C229	1	1	1	1	DK1710301	Ceramic Cap., 0.01μF ±20%
R250	1	1	1	1	RT0510214	Resistor, 1kΩ ±5% ¼W	C230	1	1	1	1	DK1710301	Ceramic Cap., 0.01μF ±20%
R252	1	1	1	1	RT0510414	Resistor, 100kΩ ±5% ¼W	C231	1	1	1	1	DK1710201	Ceramic Cap., 0.001μF ±20%
R253	1	1	1	1	RT0515114	Resistor, 150Ω ±5% ¼W	C232	1	1	1	1	DK1810402	Ceramic Cap., 0.1μF ±20%
R254	1	1	1	1	RT0515314	Resistor, 15kΩ ±5% ¼W	C233	1	1	1	1	DK1710301	Ceramic Cap., 0.01μF ±20%
R256	1	1	1	1	RT0512314	Resistor, 12kΩ ±5% ¼W	C234	1	1	1	1	DK1710301	Ceramic Cap., 0.01μF ±20%
R257	1	1	1	1	RT0582214	Resistor, 8.2kΩ ±5% ¼W	C235	1	1	1	1	DK1840302	Ceramic Cap., 0.04μF ±20%
R258	1	1	1	1	RT0515314	Resistor, 15kΩ ±5% ¼W	C236	1	1	1	1	DK1710301	Ceramic Cap., 0.01μF ±20%
R259	1	1	1	1	RT0515114	Resistor, 150Ω ±5% ¼W	C237	1	1	1	1	EA1060169	Electrolytic Cap., 10μF 16V
R260	1	1	1	1	RT0510214	Resistor, 1kΩ ±5% ¼W	C238	1	1	1	1	DD1620101	Ceramic Cap., 200PF ±20%
R261	1	1	1	1	RT0522314	Resistor, 22kΩ ±5% ¼W	C239	1	1	1	1	DD1620101	Ceramic Cap., 200PF ±20%
R262	1	1	1	1	RT0522314	Resistor, 22kΩ ±5% ¼W	C240	1	1	1	1	EA1070109	Electrolytic Cap., 100μF 10V
R263	1	1	1	1	RT0522114	Resistor, 220Ω ±5% ¼W	C242	1	1	1	1	EA1070169	Electrolytic Cap., 100μF 16V
R264	1	1	1	1	RT0582114	Resistor, 820Ω ±5% ¼W	C243	1	1	1	1	DK1840302	Ceramic Cap., 0.04μF ±20%
R265	1	1	1	1	RT0582114	Resistor, 820Ω ±5% ¼W	C244	1	1	1	1	EA1060169	Electrolytic Cap., 10μF 16V
R266	1	1	1	1	RT0510314	Resistor, 10kΩ ±5% ¼W	C245	1	1	1	1	EA2260169	Electrolytic Cap., 22μF 16V
R267	1	1	1	1	RT0510314	Resistor, 10kΩ ±5% ¼W	C246	1	1	1	1	EA1060169	Electrolytic Cap., 10μF 16V
R268	1	1	1	1	RT0510114	Resistor, 100Ω ±5% ¼W	C247	1	1	1	1	DK1710301	Ceramic Cap., 0.01μF ±20%
R269	1	1	1	1	RT0527314	Resistor, 27kΩ ±5% ¼W	C248	1	1	1	1	DD1540001	Ceramic Cap., 40PF ±5%
R270	1	1	1	1	RT0510114	Resistor, 100Ω ±5% ¼W	C249	1	1	1	1	DK1840302	Ceramic Cap., 0.04μF ±20%
R271	1	1	1	1	RT0510114	Resistor, 100Ω ±5% ¼W	C262	1	1	1	1	DD1620101	Ceramic Cap., 200PF ±20%
R272	1	1	1	1	RT0556214	Resistor, 5.6kΩ ±5% ¼W	F201	1	1	1	1	FP1107002	Ceramic Filter, SFE 10.7MD-1
R273	1	1	1	1	RT0510414	Resistor, 100kΩ ±5% ¼W	F202	1	1	1	1	FP1107002	Ceramic Filter, SFE 10.7MD-1
R274	1	1	1	1	RT0518414	Resistor, 180kΩ ±5% ¼W	F203	1	1	1	1	FP1107002	Ceramic Filter, SFE 10.7MD-1
R275	1	1	1	1	RT0510414	Resistor, 100kΩ ±5% ¼W	C263	1	1	1	1	DK1820302	Ceramic Cap., 0.02μF ±20%
R276	1	1	1	1	RT0522214	Resistor, 2.2kΩ ±5% ¼W	H201	1	1	1	1	HT308291C	Transistor, 2SC829C
R277	1	1	1	1	RT0510114	Resistor, 100Ω ±5% ¼W	H202	1	1	1	1	HT308291C	Transistor, 2SC829C
R278	1	1	1	1	RT0539114	Resistor, 390Ω ±5% ¼W	H203	1	1	1	1	HT308291C	Transistor, 2SC829C
							H204	1	1	1	1	HT308291C	Transistor, 2SC829C

REF DESIG.	Q'TY				PARTS NO.	DESCRIPTION
	U	C	E	N		
H205	1	1	1	1	HT308291C	Transistor, 2SC829C
H206	1	1	1	1	HT308291C	Transistor, 2SC829C
H207	1	1	1	1	HT308291C	Transistor, 2SC829C
H208	1	1	1	1	HT306441B	Transistor, 2SC644S
H210	1	1	1	1	HD1000105	Diode, 1N60
H211	1	1	1	1	HD1000105	Diode, 1N60
H212	1	1	1	1	HD1000105	Diode, 1N60
H213	1	1	1	1	HD1000105	Diode, 1N60
H214	1	1	1	1	HD1000105	Diode, 1N60
H215	1	1	1	1	HD1000105	Diode, 1N60
H216	1	1	1	1	HD2001105	Diode, 1S1555
H217	1	1	1	1	HD2001105	Diode, 1S1555
H218	1	1	1	1	HD1000105	Diode, 1N60
H219	1	1	1	1	HD1000105	Diode, 1N60
H220	1	1	1	1	HD2001105	Diode, 1S1555
H221	1	1	1	1	HD2001105	Diode, 1S1555
H222	1	1	1	1	HD1000105	Diode, 1N60
H223	1	1	1	1	HD1000105	Diode, 1N60
H224	1	1	1	1	HD2001105	Diode, 1S1555
H225	1	1	1	1	HD2001105	Diode, 1S1555
H226	1	1	1	1	HD1000105	Diode, 1N60
H227	1	1	1	1	HD1000105	Diode, 1N60
H228	1	1	1	1	HD2001105	Diode, 1S1555
H229	1	1	1	1	HD2001105	Diode, 1S1555
H230	1	1	1	1	HD1000302	Diode, 20A90M
H231	1	1	1	1	HD1000302	Diode, 20A90M
H232	1	1	1	1	HD1000302	Diode, 20A90M
L201	1	1	1	1	LI1401623	I.F.T., FM
L202	1	1	1	1	LC1332002	Choke Coil, 3.3μH
J201						
J208	8	8	8	8	YP1000120	Plug
J210	1	1	1	1	YP1000120	Plug
J211	1	1	1	1	YP1000120	Plug
J212	1	1	1	1	YP1000120	Plug
1551	1	1	1	1	391810901	Shield
P300 FM MPX. BOARD						
P300	1	1	1	1	YD2890003	P.W. Board
	1	1	1	1	ZZ2916103	P.W. Board Assembly
P308	2	2	2	2	293311802	Spacer
R301	1	1	1	1	RA0202011	Trimming Resistor, 2kΩ B
R302	1	1	1	1	RT0522414	Resistor, 220kΩ ±5% ¼W
R303	1	1	1	1	RT0556314	Resistor, 56kΩ ±5% ¼W
R304	1	1	1	1	RT0568314	Resistor, 68kΩ ±5% ¼W
R305	1	1	1	1	RT0510114	Resistor, 100Ω ±5% ¼W
R306	1	1	1	1	RT0518414	Resistor, 180kΩ ±5% ¼W
R307	1	1	1	1	RT0522414	Resistor, 220kΩ ±5% ¼W
R308	1	1	1	1	RT0512414	Resistor, 120kΩ ±5% ¼W
R309	1	1	1	1	RT0510414	Resistor, 100kΩ ±5% ¼W
R310	1	1	1	1	RT0568214	Resistor, 6.8kΩ ±5% ¼W
R311	1	1	1	1	RA0502020	Trimming Resistor, 5kΩ B
R312	1	1	1	1	RT0516314	Resistor, 16kΩ ±5% ¼W
R313	1	1	1	1	RT0510214	Resistor, 1kΩ ±5% ¼W
R314	1	1	1	1	RT0520314	Resistor, 20kΩ ±5% ¼W
R315	1	1	1	1	RT0510214	Resistor, 1kΩ ±5% ¼W
R316	1	1	1	1	RT0510214	Resistor, 1kΩ ±5% ¼W

REF DESIG.	Q'TY				PARTS NO.	DESCRIPTION
	U	C	E	N		
R317	1	1	1	1	RT0539214	Resistor, 3.9kΩ ±5% ¼W
R318	1	1	1	1	RT0539214	Resistor, 3.9kΩ ±5% ¼W
R319	1	1	1	1	RT0522414	Resistor, 220kΩ ±5% ¼W
R320	1	1	1	1	RT0522314	Resistor, 22kΩ ±5% ¼W
R321	1	1	1	1	RT0510114	Resistor, 100Ω ±5% ¼W
R322	1	1	1	1	RT0510014	Resistor, 10Ω ±5% ¼W
R323	1	1	1	1	RT0522414	Resistor, 220kΩ ±5% ¼W
R324	1	1	1	1	RT0522414	Resistor, 220kΩ ±5% ¼W
R325	1	1	1	1	RT0530314	Resistor, 30kΩ ±5% ¼W
R326	1	1	1	1	RT0530314	Resistor, 30kΩ ±5% ¼W
R327	1	1	1	1	RT0510414	Resistor, 100kΩ ±5% ¼W
R328	1	1	1	1	RT0510414	Resistor, 100kΩ ±5% ¼W
R329	1	1	1	1	RT0515514	Resistor, 1.5MΩ ±5% ¼W
R330	1	1	1	1	RT0515514	Resistor, 1.5MΩ ±5% ¼W
R331	1	1	1	1	RT0551114	Resistor, 510Ω ±5% ¼W
R332	1	1	1	1	RT0551114	Resistor, 510Ω ±5% ¼W
R333	1	1	1	1	RT0522314	Resistor, 22kΩ ±5% ¼W
R334	1	1	1	1	RT0522314	Resistor, 22kΩ ±5% ¼W
R335	1	1	1	1	RT0510114	Resistor, 100Ω ±5% ¼W
R336	1	1	1	1	RT0510114	Resistor, 100Ω ±5% ¼W
R337	1	1	1	1	RT0582214	Resistor, 8.2kΩ ±5% ¼W
R338	1	1	1	1	RT0582214	Resistor, 8.2kΩ ±5% ¼W
R339	1	1	1	1	RT0547114	Resistor, 470Ω ±5% ¼W
R340	1	1	1	1	RT0547114	Resistor, 470Ω ±5% ¼W
R341	1	1	1	1	RT0522414	Resistor, 220kΩ ±5% ¼W
R342	1	1	1	1	RT0522414	Resistor, 220kΩ ±5% ¼W
R343	1	1	1	1	RT0539214	Resistor, 3.9kΩ ±5% ¼W
R344	1	1	1	1	RT0556414	Resistor, 560kΩ ±5% ¼W
R345	1	1	1	1	RT0515314	Resistor, 15kΩ ±5% ¼W
R346	1	1	1	1	RT0512414	Resistor, 120kΩ ±5% ¼W
R347	1	1	1	1	RT0510114	Resistor, 100Ω ±5% ¼W
R348	1	1	1	1	RT0522414	Resistor, 220kΩ ±5% ¼W
R349	1	1	1	1	RT0556214	Resistor, 5.6kΩ ±5% ¼W
R350	1	1	1	1	RT0510314	Resistor, 10kΩ ±5% ¼W
R351	1	1	1	1	RT0510114	Resistor, 100Ω ±5% ¼W
R352	1	1	1	1	RT0533314	Resistor, 33kΩ ±5% ¼W
R353	1	1	1	1	RT0510114	Resistor, 100Ω ±5% ¼W
R354	1	1	1	1	RT0510414	Resistor, 100kΩ ±5% ¼W
R355	1	1	1	1	RT0527314	Resistor, 27kΩ ±5% ¼W
R356	1	1	1	1	RT0510414	Resistor, 100kΩ ±5% ¼W
R357	1	1	1	1	RT0510214	Resistor, 1kΩ ±5% ¼W
R358	1	1	1	1	RT0510114	Resistor, 100Ω ±5% ¼W
R359	1	1	1	1	RT0527314	Resistor, 27kΩ ±5% ¼W
R360	1	1	1	1	RT0533314	Resistor, 33kΩ ±5% ¼W
R361	1	1	1	1	RT0510414	Resistor, 100kΩ ±5% ¼W
R362	1	1	1	1	RA0104018	Trimming Resistor, 100kΩ B
R363	1	1	1	1	RA0103025	Trimming Resistor, 10kΩ B
R364	1	1	1	1	RT0522214	Resistor, 2.2kΩ ±5% ¼W
R365	1	1	1	1	RT0510114	Resistor, 100Ω ±5% ¼W
R366	1	1	1	1	RT0510314	Resistor, 10kΩ ±5% ¼W
R367	1	1	1	1	RT0510114	Resistor, 100Ω ±5% ¼W
R368	1	1	1	1	RT0527414	Resistor, 270kΩ ±5% ¼W
R369	1	1	1	1	RT0510314	Resistor, 10kΩ ±5% ¼W
R370	1	1	1	1	RT0512314	Resistor, 12kΩ ±5% ¼W
R371	1	1	1	1	RT0522114	Resistor, 220Ω ±5% ¼W
R373	1	1	1	1	RT0533314	Resistor, 33kΩ ±5% ¼W
R374	1	1	1	1	RA0103025	Trimming Resistor, 10kΩ B

U: For U.S.A. E: For Europe
C: For Canada N: For Scandinavia

REF DESIG.	Q'TY				PARTS NO.	DESCRIPTION	REF DESIG.	Q'TY				PARTS NO.	DESCRIPTION	
	U	C	E	N				U	C	E	N			
R375	1	1	1	1	RT0510114	Resistor, 100Ω ±5% ¼W	H309	1	1	1	1	HT308281D	Transistor, 2SC828S	
R376	1	1	1	1	RT0510414	Resistor, 100kΩ ±5% ¼W	H310	1	1	1	1	HT308281D	Transistor, 2SC828S	
R377	1	1	1	1	RT0510414	Resistor, 100kΩ ±5% ¼W	H311	1	1	1	1	HT308281D	Transistor, 2SC828S	
R378	1	1	1	1	RT0556214	Resistor, 5.6kΩ ±5% ¼W	H312	1	1	1	1	HF200300A	FET	
R379	1	1	1	1	RT0522214	Resistor, 2.2kΩ ±5% ¼W	H313	1	1	1	1	HT308281D	Transistor, 2SC828S	
R380	1	1	1	1	RT0527214	Resistor, 2.7kΩ ±5% ¼W	H314	1	1	1	1	HT308281D	Transistor, 2SC828S	
C301	1	1	1	1	DF1639205	Film Cap., 3900PF ±10%	H315	1	1	1	1	HT308281D	Transistor, 2SC828S	
C302	1	1	1	1	EA3360109	Electrolytic Cap., 33μF 10V	H316	1	1	1	1	HT308281D	Transistor, 2SC828S	
C303	1	1	1	1	DF1722305	Film Cap., 0.022μF ±20%	H317	1	1	1	1	HT308281D	Transistor, 2SC828S	
C304	1	1	1	1	EA2260169	Electrolytic Cap., 22μF 16V	H318	1	1	1	1	HD1000105	Diode, 1N60	
C305	1	1	1	1	DF5547101	Film Cap., 470PF ±5%	H319	1	1	1	1	HD1000105	Diode, 1N60	
C306	1	1	1	1	EA2260169	Electrolytic Cap., 22μF 16V	H321	1	1	1	1	HC1000401	I.C., HA1156	
C307	1	1	1	1	EQ4740501	Electrolytic Cap., 0.47μF ±20% 50V	L301	1	1	1	1	LS1029004	MPX. Coil, 56mH	
C308	1	1	1	1	EQ2240501	Electrolytic Cap., 0.22μF ±20% 50V	L302	1	1	1	1	LS1029004	MPX. Coil, 56mH	
C309	1	1	1	1	EQ2240501	Electrolytic Cap., 0.22μF ±20% 50V	L303	1	1	1	1	LS1029005	MPX. Coil, 43mH	
C310	1	1	1	1	DF1747301	Film Cap., 0.047μF ±20% 50V	L304	1	1	1	1	LS1029005	MPX. Coil, 43mH	
C311	1	1	1	1	DF1515205	Film Cap., 1500PF ±5%	L305	1	1	1	1	LC2105001	Choke Coil, 1mH	
C312	1	1	1	1	DF1515205	Film Cap., 1500PF ±5%	J301							
C313	1	1	1	1	DD1536101	Ceramic Cap., 360PF ±5%	J322	22	22	22	22	YP1000113	Plug	
C314	1	1	1	1	DD1536101	Ceramic Cap., 360PF ±5%								
C315	1	1	1	1	DF1533205	Film Cap., 3300PF ±5%								
C316	1	1	1	1	DF1533205	Film Cap., 3300PF ±5%	P400	1	1	1	1	YD2892008	P.W. Board	
C317	1	1	1	1	DF1515205	Film Cap., 1500PF ±5%		1	1	1	1	ZZ2916108	P.W. Board Assembly	
C318	1	1	1	1	DF1515205	Film Cap., 1500PF ±5%								
C319	1	1	1	1	DF1522205	Film Cap., 2200PF ±5%	P408	2	2	2	2	293311802	Spacer	
C320	1	1	1	1	DF1522205	Film Cap., 2200PF ±5%	R401	1	1	1	1	RT0556314	Resistor, 56kΩ ±5% ¼W	
C321	1	1	1	1	DF1510205	Film Cap., 1000PF ±5%	R402	1	1	1	1	RT0556314	Resistor, 56kΩ ±5% ¼W	
C322	1	1	1	1	DF1510205	Film Cap., 1000PF ±5%	R403	1	1	1	1	RT0547114	Resistor, 470Ω ±5% ¼W	
C323	1	1	1	1	EV2240351	Electrolytic Cap., 0.22μF ±20% 35V	R404	1	1	1	1	RT0547114	Resistor, 470Ω ±5% ¼W	
C324	1	1	1	1	EV2240351	Electrolytic Cap., 0.22μF ±20% 35V	R405	1	1	1	1	RN0533314	Resistor, 33kΩ ±5% ¼W	
C325	1	1	1	1	EV1050352	Electrolytic Cap., 1μF ±20% 35V	R406	1	1	1	1	RN0510514	Resistor, 1MΩ ±5% ¼W	
C326	1	1	1	1	EV1050352	Electrolytic Cap., 1μF ±20% 35V	R407	1	1	1	1	RN0510514	Resistor, 1MΩ ±5% ¼W	
C327	1	1	1	1	EA2270259	Electrolytic Cap., 220μF 25V	R408	1	1	1	1	RA0104015	Trimming Resistor, 100kΩ B ±30%	
C328	1	1	1	1	EA2270169	Electrolytic Cap., 220μF 16V	R409	1	1	1	1	RA0104015	Trimming Resistor, 100kΩ B ±30%	
C329	1	1	1	1	EA1060169	Electrolytic Cap., 10μF 16V	R410	1	1	1	1	RN0527314	Resistor, 27kΩ ±5% ¼W	
C330	1	1	1	1	DK1840302	Ceramic Cap., 0.04μF ±5%	R411	1	1	1	1	RN0527314	Resistor, 27kΩ ±5% ¼W	
C331	1	1	1	1	EA1050509	Electrolytic Cap., 1μF 50V	R412	1	1	1	1	RT0562114	Resistor, 620Ω ±5% ¼W	
C332	1	1	1	1	EA1060169	Electrolytic Cap., 10μF 16V	R413	1	1	1	1	RT0562114	Resistor, 620Ω ±5% ¼W	
C333	1	1	1	1	DD1210001	Ceramic Cap., 10PF ±10%	R414	1	1	1	1	RT0522514	Resistor, 2.2MΩ ±5% ¼W	
C334	1	1	1	1	DF1668301	Film Cap., 0.068μF ±10%	R415	1	1	1	1	RT0522514	Resistor, 2.2MΩ ±5% ¼W	
C335	1	1	1	1	DF1740301	Film Cap., 0.04μF ±20%	R416	1	1	1	1	RN0522514	Resistor, 2.2MΩ ±5% ¼W	
C336	1	1	1	1	DK1810402	Ceramic Cap., 0.1μF ±5%	R417	1	1	1	1	RT0522514	Resistor, 2.2MΩ ±5% ¼W	
C337	1	1	1	1	EA4750359	Electrolytic Cap., 4.7μF 35V	R418	1	1	1	1	RN0527414	Resistor, 270kΩ ±5% ¼W	
C338	1	1	1	1	EA1050509	Electrolytic Cap., 1μF 50V	R419	1	1	1	1	RN0527414	Resistor, 270kΩ ±5% ¼W	
C339	1	1	1	1	DK1840302	Ceramic Cap., 0.04μF ±5%	R420	1	1	1	1	RT0547314	Resistor, 47kΩ ±5% ¼W	
C340	1	1	1	1	DK1840302	Ceramic Cap., 0.04μF ±5%	R421	1	1	1	1	RT0547314	Resistor, 47kΩ ±5% ¼W	
C341	1	1	1	1	DK1840302	Ceramic Cap., 0.04μF ±5%	R422	1	1	1	1	RT0522214	Resistor, 2.2kΩ ±5% ¼W	
C343	1	1	1	1	DF1710402	Film Cap., 0.1μF ±20%	R423	1	1	1	1	RT0522214	Resistor, 2.2kΩ ±5% ¼W	
C344	1	1	1	1	DK1820302	Ceramic Cap., 0.02μF ±5%	R424	1	1	1	1	RN0568414	Resistor, 680kΩ ±5% ¼W	
H301	1	1	1	1	HF200301C	FET, 2SK30 (Y)	R425	1	1	1	1	RN0568414	Resistor, 680kΩ ±5% ¼W	
H302	1	1	1	1	HT308281D	Transistor, 2SC828S	R426	1	1	1	1	RN0510414	Resistor, 100kΩ ±5% ¼W	
H303	1	1	1	1	HT308281D	Transistor, 2SC828S	R427	1	1	1	1	RN0510414	Resistor, 100kΩ ±5% ¼W	
H304	1	1	1	1	HT307322A	Transistor, 2SC732 BorG	R428	1	1	1	1	RN0547314	Resistor, 47kΩ ±5% ¼W	
H305	1	1	1	1	HT307322A	Transistor, 2SC732 BorG	R429	1	1	1	1	RN0547314	Resistor, 47kΩ ±5% ¼W	
H306	1	1	1	1	HT108422A	Transistor, 2SA842 GorB	R430	1	1	1	1	RT0547014	Resistor, 47Ω ±5% ¼W	
H307	1	1	1	1	HT108422A	Transistor, 2SA842 GorB	R431	1	1	1	1	RT0547014	Resistor, 47Ω ±5% ¼W	
H308	1	1	1	1	HT308281D	Transistor, 2SC828S	R432	1	1	1	1	RN0533214	Resistor, 3.3kΩ ±5% ¼W	

REF DESIG.	Q'TY				PARTS NO.	DESCRIPTION
	U	C	E	N		
R433	1	1	1	1	RN0533214	Resistor, 3.3kΩ ±5% ¼W
R434	1	1	1	1	RT0510114	Resistor, 100Ω ±5% ¼W
R435	1	1	1	1	RT0547014	Resistor, 47Ω ±5% ¼W
R436	1	1	1	1	RT0547014	Resistor, 47Ω ±5% ¼W
C401	1	1	1	1	EV1050256	Electrolytic Cap., 1μF 25V ±20%
C402	1	1	1	1	EV1050256	Electrolytic Cap., 1μF 25V ±20%
C403	1	1	1	1	EE4760164	Electrolytic Cap., 47μF 16V ±20%
C404	1	1	1	1	EE4760164	Electrolytic Cap., 47μF 16V ±20%
C405	1	1	1	1	DD1540004	Ceramic Cap., 40PF 50V ±5% NPO
C406	1	1	1	1	DD1540004	Ceramic Cap., 40PF 50V ±5% NPO
C407	1	1	1	1	DD1104001	Ceramic Cap., 4pF50V±0.5pF N750
C408	1	1	1	1	DD1104001	Ceramic Cap., 4pF50V±0.5pF N750
C409	1	1	1	1	DF6556201	Film Cap., 5600PF 50V ±5%
C410	1	1	1	1	DF6556201	Film Cap., 5600PF 50V ±5%
C411	1	1	1	1	DF6516201	Film Cap., 1600PF 50V ±5%
C412	1	1	1	1	DF6516201	Film Cap., 1600PF 50V ±5%
C413	1	1	1	1	ED1070351	Electrolytic Cap., 100μF 35V ±5%
C414	1	1	1	1	DF1710552	Film Cap., 1μF 250V ±20%
C415	1	1	1	1	DF1710552	Film Cap., 1μF 250V ±20%
C416	1	1	1	1	DD1650001	Ceramic Cap., 50PF 250V ±10%
C417	1	1	1	1	DD1650001	Ceramic Cap., 50PF 250V ±10%
H401	1	1	1	1	HT313441E	Transistor, 2SC1344 E
H402	1	1	1	1	HT313441E	Transistor, 2SC1344 E
H403	1	1	1	1	HT313442A	Transistor, 2SC1344 D, E
H404	1	1	1	1	HT313442A	Transistor, 2SC1344 D, E
H405	1	1	1	1	HT304580R	Transistor, 2SC458 L, B
H406	1	1	1	1	HT304580R	Transistor, 2SC458 L, B
H407	1	1	1	1	HD2000121	Diode, 1S-2473
H408	1	1	1	1	HD2000121	Diode, 1S-2473
H409	1	1	1	1	HV0000206	Varistor, VD1212
J401	8	8	8	8	YP1000113	Plug
J408	8	8	8	8	YP1000113	Plug
2011	8	8	8	8	51100306S	B.H.M. Screw, B3 x 6
P700 MAIN AMP. BOARD						
P700	2	2	2	2	YD2960101	P.W. Board
	2	2	2	2	ZZ2975301	P.W. Board Assembly
R701	2	2	2	2	RT0530214	Resistor, 3kΩ ±5% ¼W
R702	2	2	2	2	RT0533314	Resistor, 33kΩ ±5% ¼W
R703	2	2	2	2	RT0568214	Resistor, 6.8kΩ ±5% ¼W
R704	2	2	2	2	RT0510214	Resistor, 1kΩ ±5% ¼W
R705	2	2	2	2	RT0510114	Resistor, 100Ω ±5% ¼W
R706	2	2	2	2	RT0582214	Resistor, 8.2kΩ ±5% ¼W
R707	2	2	2	2	RA0502017	Trimming Resistor, 5kΩ (B)
R708	2	2	2	2	RT0547214	Resistor, 4.7kΩ ±5% ¼W
R709	2	2	2	2	RT0518414	Resistor, 180kΩ ±5% ¼W
R710	2	2	2	2	RT0527214	Resistor, 2.7kΩ ±5% ¼W
R712	2	2	2	2	RT0518214	Resistor, 1.8kΩ ±5% ¼W
R713	2	2	2	2	RC1010212	Resistor, 1kΩ ±10% ¼W
R714	2	2	2	2	RT0533314	Resistor, 33kΩ ±5% ¼W
R715	2	2	2	2	RT0547214	Resistor, 4.7kΩ ±5% ¼W
R716	2	2	2	2	GF0533014	Resistor, 33Ω ±5% ¼W
R717	2	2	2	2	HH0000303	Thermistor, STD O4
R718	2	2	2	2	RT0510214	Resistor, 1kΩ ±5% ¼W
R719	2	2	2	2	RA0301002	Trimming Resistor, 300Ω (B)
R720	2	2	2	2	GF0543114	Resistor, 430Ω ±5% ¼W

REF DESIG.	Q'TY				PARTS NO.	DESCRIPTION
	U	C	E	N		
R721	2	2	2	2	GF0512214	Resistor, 1.2kΩ ±5% ¼W
R722	2	2	2	2	GF0547214	Resistor, 4.7kΩ ±5% ¼W
R723	2	2	2	2	GF0527214	Resistor, 2.7kΩ ±5% ¼W
R724	2	2	2	2	GF0522214	Resistor, 2.2kΩ ±5% ¼W
R725	2	2	2	2	GF0510114	Resistor, 100Ω ±5% ¼W
R726	2	2	2	2	GF0510114	Resistor, 100Ω ±5% ¼W
R727	2	2	2	2	GF0510114	Resistor, 100Ω ±5% ¼W
R728	2	2	2	2	GF0510014	Resistor, 10Ω ±5% ¼W
R729	2	2	2	2	GF0510014	Resistor, 10Ω ±5% ¼W
R730	2	2	2	2	GF0522114	Resistor, 220Ω ±5% ¼W
R731	2	2	2	2	GF0522114	Resistor, 220Ω ±5% ¼W
R732	2	2	2	2	GW1020205	Resistor, 0.2Ω ±10% 5W
R733	2	2	2	2	GW1020205	Resistor, 0.2Ω ±10% 5W
R734	2	2	2	2	RC1002212	Resistor, 2.2Ω ±10% ½W
R735	2	2	2	2	GJ0510002	Resistor, 10Ω ±5% 2W
R736	2	2	2	2	GF0510214	Resistor, 1kΩ ±5% ¼W
R737	2	2	2	2	RC0000012	Resistor, 0Ω
C701	2	2	2	2	EE3350251	Electrolytic Cap., 3.3μF 25V ±20%
C702	2	2	2	2	EA1060359	Electrolytic Cap., 10μF 35V
C703	2	2	2	2	DD1620101	Ceramic Cap., 200PF 50V
C704	2	2	2	2	EA4760509	Electrolytic Cap., 47μF 50V
C705	2	2	2	2	EE4760162	Electrolytic Cap., 47μF 16V ±20%
C706	2	2	2	2	EA2270509	Electrolytic Cap., 220μF 50V
C707	2	2	2	2	DD1003050	Ceramic Cap., 3PF 500V
C708	2	2	2	2	DF1710305	Film Cap., 0.01μF 50V
C709	2	2	2	2	DF1710305	Film Cap., 0.01μF 50V
C710	2	2	2	2	DF1710452	Film Cap., 0.1μF 200V
C711	2	2	2	2	DK1622151	Ceramic Cap., 220PF 500V
C712	2	2	2	2	DK1622201	Ceramic Cap., 0.002μF 50V
C713	2	2	2	2	DK1622151	Ceramic Cap., 220PF 500V
J701	6	6	6	6	YP1000114	Plug
J706	6	6	6	6	YP1000114	Plug
J708	7	7	7	7	YP1000114	Plug
J714	7	7	7	7	YP1000114	Plug
H701	2	2	2	2	HD3003009	Diode, WZ-177
H702	2	2	2	2	HT107221T	Transistor, 2SA722 (T, U)
H703	2	2	2	2	HT107221T	Transistor, 2SA722 (T, U)
H704	2	2	2	2	HV0000312	Varistor, MV-13
H705	2	2	2	2	HV0000312	Varistor, MV-13
H707	2	2	2	2	HT308753B	Transistor, 2SC875 C, D, E
H708	2	2	2	2	HD2000221	Diode, 1S2472 (Gr)
H709	2	2	2	2	HD2000221	Diode, 1S2472 (Gr)
H710	2	2	2	2	HT309451Q	Transistor, 2SC945 Q
H711	2	2	2	2	HT107331Q	Transistor, 2SA733 Q
H712	2	2	2	2	HD2000221	Diode, 1S2472 (Gr)
H713	2	2	2	2	HD2000221	Diode, 1S2472 (Gr)
H714	2	2	2	2	HT404151Q	Transistor, 2SD415 P, Q, R
H715	2	2	2	2	HT205491Q	Transistor, 2SB549 P, Q, R
L701	2	2	2	2	LC2262001	Choke Coil
P709	8	8	8	8	293311801	Spacer
P708	28	28	28	28	293311802	Spacer
2028	4	4	4	4	291626701	Heatsink
2029	2	2	2	2	112600501	Clamper
2031	4	4	4	4	51100308E	B.H.M. Screw, B3 x 8
2032	4	4	4	4	53110301E	Hexagon Nut

U: For U.S.A. E: For Europe
C: For Canada N: For Scandinavia

REF DESIG.	Q'TY				PARTS NO.	DESCRIPTION
	U	C	E	N		
2021	2	2	2	2	281811806	Spacer
2605	2	2	2	2	62030039W	Lug
2003	2	2	2	2	282026701	Heatsink
2005	4	4	4	4	292816003	Bracket
2006	8	8	8	8	51380306T	R.H. Tapped Screw, R3 x 6
2010	8	8	8	8	281810104	Support
2015	8	8	8	8	51100312E	B.H.M. Screw, B3 x 12
2018	2	2	2	2	282026702	Heatsink
2019	2	2	2	2	51060308S	P.H.M. Screw, P3 x 8
2023	2	2	2	2	51380410A	R.H. Tapped Screw, R4 x 10
2024	2	2	2	2	291605502	Collar
H001	1	1	1	1	HT404271A	Transistor, 2SD427 R, O
H002	1	1	1	1	HT205571A	Transistor, 2SB557 R, O
H003	1	1	1	1	HT404271A	Transistor, 2SD427 R, O
H004	1	1	1	1	HT205571A	Transistor, 2SB557 R, O
H005	1	1	1	1	HV0000212	Diode, SV - 3A
H006	1	1	1	1	HV0000212	Diode, SV - 3A
J016	1	1	1	1	YJ0500019	Socket
J018	1	1	1	1	YJ0500019	Socket
J017	1	1	1	1	YJ0500019	Socket
J019	1	1	1	1	YJ0500019	Socket
2712	2	2	2	2	121000501	Clamper
P800 POWER SUPPLY BOARD						
P800	1	1	1	1	YD2916002	P.W. Board
	1	1	1	1	ZZ2916002	P.W. Board Assembly
R801	1	1	1	1	GF0510012	Resistor, 10Ω ±5% ½W
R802	1	1	1	1	RT0547214	Resistor, 4.7kΩ ±5% ¼W
R803	1	1	1	1	RT0547214	Resistor, 4.7kΩ ±5% ¼W
R804	1	1	1	1	RT0539214	Resistor, 3.9kΩ ±5% ¼W
R805	1	1	1	1	RT0522314	Resistor, 22kΩ ±5% ¼W
R806	1	1	1	1	RA0502013	Trimming Resistor, 5kΩ (B)
R807	1	1	1	1	GS1015105	Resistor, 150Ω ±10% 5W
R808	1	1	1	1	RT0533214	Resistor, 3.3kΩ ±5% ¼W
R809	1	1	1	1	RT0510014	Resistor, 10Ω ±5% ¼W
R810	1	1	1	1	RT0518314	Resistor, 18kΩ ±5% ¼W
R811	1	1	1	1	RT0515314	Resistor, 15kΩ ±5% ¼W
R812	1	1	1	1	RT0568214	Resistor, 6.8kΩ ±5% ¼W
R813	1	1	1	1	RT0524414	Resistor, 240kΩ ±5% ¼W
R814	1	1	1	1	RT0539314	Resistor, 39kΩ ±5% ¼W
R815	1	1	1	1	GU0568112	Resistor, 680Ω ±5% ½W
R816	1	1	1	1	GU0556212	Resistor, 5.6kΩ ±5% ½W
R817	1	1	1	1	GU0556212	Resistor, 5.6kΩ ±5% ½W
R818	1	1	1	1	RT0556214	Resistor, 5.6kΩ ±5% ¼W
C801	1	1	1	1	EA2270631	Electrolytic Cap., 220μF 63V
C802	1	1	1	1	EA1070509	Electrolytic Cap., 100μF 50V
C803	1	1	1	1	DF1710305	Film Cap., 0.01μF 50V
C804	1	1	1	1	EA2260359	Electrolytic Cap., 22μF 35V
C805	1	1	1	1	EA3370509	Electrolytic Cap., 330μF 50V
C806	1	1	1	1	EA4770169	Electrolytic Cap., 470μF 16V
C807	1	1	1	1	EA1060509	Electrolytic Cap., 10μF 50V
C808	1	1	1	1	EA4760169	Electrolytic Cap., 47μF 16V
C809	1	1	1	1	EA2270109	Electrolytic Cap., 220μF 10V
C810	1	1	1	1	DK1810351	Ceramic Cap., 0.01μF 200V
H801	1	1	1	1	HT403302A	Transistor, 2SD330 D, E
H802	1	1	1	1	HT313183A	Transistor, 2SC1318 P, Q, R

REF DESIG.	Q'TY				PARTS NO.	DESCRIPTION
	U	C	E	N		
H803	1	1	1	1	HT309452A	Transistor, 2SC945 Q, R
H804	1	1	1	1	HT403314A	Transistor, 2SD331 C, D, E, F
H805	1	1	1	1	HT309452A	Transistor, 2SC945 Q, R
H806	1	1	1	1	HT313182R	Transistor, 2SC1318 R, S
H807	1	1	1	1	HT313182R	Transistor, 2SC1318 R, S
H808	1	1	1	1	HD2001103	Diode, DS131-B
H809	1	1	1	1	HD3002309	Diode, WZ-071
H810	1	1	1	1	HD3002709	Diode, WZ-140
H811	1	1	1	1	HD2001103	Diode, DS131-B
H812	1	1	1	1	HD2000321	Diode, 1S2471
L801	1	1	1	1	LY2024009	Relay, MY2Z24V
J801	1	1	1	1	YD2916002	P.W. Board
J801	10	10	10	10	YP1000113	Plug
J810	1	1	1	1	HT404271A	Transistor, 2SD427 R, O
P809	2	2	2	2	293311801	Spacer
P808	8	8	8	8	293311802	Spacer
P807	4	4	4	4	344411805	Spacer
2103	1	1	1	1	291626702	Heatsink
2104	2	2	2	2	51102606S	B.H.M. Screw, B2.6 x 6
2105	1	1	1	1	51100312E	B.H.M. Screw, B3 x 12
2106	1	1	1	1	53110301E	Hexagon Nut
2108	1	1	1	1	54050300R	T.L. Washer, OR
3836	1	1	1	1	54040302E	Spring Washer
3837	1	1	1	1	54020301E	Flat Washer
2614	1	1	1	1	62030039W	Lug
PC01 DOLBY LEVEL BOARD						
PC01	1	1	1	1	YD2915107	P.W. Board
	1	1	1	1	ZZ2916307	P.W. Board Assembly
RC01	1	1	1	1	RA0104015	Trimming Resistor, 100kΩ (B)
RC02	1	1	1	1	RA0104015	Trimming Resistor, 100kΩ (B)
RC03	1	1	1	1	RT0568314	Resistor, 68kΩ ±5% ¼W
RC04	1	1	1	1	RT0568314	Resistor, 68kΩ ±5% ¼W
RC05	1	1	1	1	RT0510414	Resistor, 100kΩ ±5% ¼W
RC06	1	1	1	1	RT0510414	Resistor, 100kΩ ±5% ¼W
RC07	1	1	1	1	RT0539214	Resistor, 3.9kΩ ±5% ¼W
RC08	1	1	1	1	RT0539214	Resistor, 3.9kΩ ±5% ¼W
RC09	1	1	1	1	RT0510414	Resistor, 100kΩ ±5% ¼W
RC10	1	1	1	1	RT0510414	Resistor, 100kΩ ±5% ¼W
CC01	1	1	1	1	EV1050256	Electrolytic Cap., 1μF 25V
CC02	1	1	1	1	EV1050256	Electrolytic Cap., 1μF 25V
CC03	1	1	1	1	EV1050256	Electrolytic Cap., 1μF 25V
CC04	1	1	1	1	EV1050256	Electrolytic Cap., 1μF 25V
JC01	1	1	1	1	YD2916002	P.W. Board
JC01	8	8	8	8	YP1000113	Plug
JC08	1	1	1	1	HT404271A	Transistor, 2SD427 R, O
HC01	1	1	1	1	HT313272A	Transistor, 2SC1327 S, T
HC02	1	1	1	1	HT313272A	Transistor, 2SC1327 S, T
2620	1	1	1	1	62030039W	Lug
1603	1	1	1	1	291630201	Dial
1606	1	1	1	1	285610701	Sheet
0803	1	1	1	1	291516050	Bracket, K
0810	1	1	1	1	291512004	Insulator
0811	2	2	2	2	51100306A	B.H.M. Screw, B3 x 6
0813	4	4	4	4	51100306A	B.H.M. Screw, B3 x 6
0817	2	2	2	2	51100306A	B.H.M. Screw, B3 x 6
0822	2	2	2	2	51100306A	B.H.M. Screw, B3 x 6

U: For U.S.A. E: For Europe
C: For Canada N: For Scandinavia

REF DESIG.	Q'TY				PARTS NO.	DESCRIPTION
	U	C	E	N		
0827	2	2	2	2	51490306A	B.H.M. Screw FS, B3 x 6
4536	1	1	1	1	291626251	Pulley, K
4540	2	2	2	2	51100306A	B.H.M. Screw, B3 x 6
0833	2	2	2	2	51100304A	B.H.M. Screw, B3 x 4
0834	2	2	2	2	288612002	Insulator
0835	2	2	2	2	291612001	Insulator
0903	1	1	1	1	281816003	Bracket
0904	1	1	1	1	281816004	Bracket
0905	4	4	4	4	51100406A	B.H.M. Screw, B4 x 6
1010	2	2	2	2	51042608A	F.H.M. Screw, F2.6x8
1111	2	2	2	2	51570306B	P.H. Tapped Screw, P3 x 6
1112	2	2	2	2	54050300R	T.L. Washer, OR
1403	1	1	1	1	257710602	Bearing
1404	1	1	1	1	141511801	Spacer
1405	2	2	2	2	51040306A	F.H.M. Screw, F3 x 6
1608	1	1	1	1	285326901	Protector
1609	2	2	2	2	51570306B	P.H. Tapped Screw, P3 x 6
1622	1	1	1	1	288612201	Sticker
1624	1	1	1	1	281912005	Insulator
R002	1	1	1	1	RS0504002	Variable Resistor, Balance 500k
PZ01 DIAL LAMP BOARD						
PZ01	1	1	1	1	YD2886016	P.W. Board
	1	1	1	1	ZZ2889116	P.W. Board Assembly
MZ01	1	1	1	1	IN1008007	Lamp
MZ02	1	1	1	1	IN1008007	Lamp
MZ03	1	1	1	1	IN1008007	Lamp
MZ04	1	1	1	1	IN1008007	Lamp
MZ05	1	1	1	1	IN1008007	Lamp
JZ01	10	10	10	10	YJ0800017	Socket
JZ10						
JZ11	4	4	4	4	YP1000113	Plug
JZ14						
0917	1	1	1	1	287127401	Reflector
0919	1	1	1	1	287127101	Holder
0920	2	2	2	2	51570306B	P.H. Tapped Screw, P3 x 6
0926	2	2	2	2	51100306A	B.H.M. Screw, B3 x 6
0927	2	2	2	2	51480306A	B.H.M. Screw, F, B3 x 6
PY01 FUNCTION LAMP BOARD						
PY01	1	1	1	1	YD2960102	P.W. Board
	1	1	1	1	ZZ2960302	P.W. Board Assembly
MY01	1	1	1	1	IN1006301	Lamp, Dolby 8V 40mA
MY02	1	1	1	1	IN1006301	Lamp, AM 8V 40mA
MY03	1	1	1	1	IN1006301	Lamp, FM 8V 40mA
MY04	1	1	1	1	IN1006301	Lamp, Phono 8V 40mA
MY05	1	1	1	1	IN1006301	Lamp, Aux 8V 40mA
MY06	1	1	1	1	IN1006301	Lamp, Tape 1 8V 40mA
MY07	1	1	1	1	IN1006301	Lamp, Tape 2 8V 40mA
MY08	1	1	1	1	IN1012091	Lamp., Stereo 12V 40mA
JY01						
JY15	15	15	15	15	YP1000113	Plug

REF DESIG.	Q'TY				PARTS NO.	DESCRIPTION
	U	C	E	N		
0922	1	1	1	1	288627101	Holder
0923	2	2	2	2	51570306B	P.H. Tapped Screw, P3 x 6
R011	1	1	1	1	GF0522014	Resistor, 22Ω ±5% ¼W
R012	1	1	1	1	GF0522014	Resistor, 22Ω ±5% ¼W
R013	1	1	1	1	GF0547014	Resistor, 47Ω ±5% ¼W
1022	1	1	1	1	288627401	Reflector
1026	1	1	1	1	288926251	Pulley, K
1032	2	2	2	2	51100306A	B.H.M. Screw, B3 x 6
1033	2	2	2	2	54050300R	T.L. Washer, OR
1107	2	2	2	2	51480306A	B.H.M. Screw F, B3 x 6
1115	1	1	1	1	288610701	Sheet
M002	1	1	1	1	IM1104202	Meter, FM
M001	1	1	1	1	IM1104203	Meter, Signal
C003	1	1	1	1	EA3360109	Electrolytic Cap., 33μF 10V
5636	1	1	1	1	288610701	Sheet
1103	1	1	1	1	288627102	Holder
1104	2	2	2	2	51570306B	P.H. Tapped Screw, P3 x 6
M003	1	1	1	1	IN1008007	Lamp, Meter
M004	1	1	1	1	IN1008007	Lamp, Meter
J008	1	1	1	1	YJ0800019	Socket, Meter
J009	1	1	1	1	YJ0800019	Socket, Meter
0934	1	1	1	1	287105102	Guide
1002	1	1	1	1	291626250	Pulley, K
1107	2	2	2	2	51100305A	B.H.M. Screw, B3 x 5
J005	1	1	1	1	YJ0100081	Jack, Dubbing In
J006	1	1	1	1	YJ0100098	Jack, Dubbing Out
0821	1	1	1	1	291616002	Bracket
0816	1	1	1	1	291616003	Bracket
0818	2	2	2	2	51060306A	B.H.M. Screw, B3 x 6
S002	1	1	1	1	SP0201015	Push Switch, Power
S002	1	1	1	1	SP0201017	Push Switch, Power
J013	1	1	1	1	YJ0100098	Jack, Headphone
S001	1	1	1	1	SR1006015	Rotary Switch
R001	1	1	1	1	RM0254022	Variable Resistor, Volume 250k
PE01 TONE AMP. BOARD						
PE01	1	1	1	1	YD2915108	P.W. Board
	1	1	1	1	ZZ2958308	P.W. Board Assembly
PE08	2	2	2	2	293311802	Spacer
RE01	1	1	1	1	RT0547414	Resistor, 470kΩ ±5% ¼W
RE02	1	1	1	1	RT0547414	Resistor, 470kΩ ±5% ¼W
RE03	1	1	1	1	RT0539114	Resistor, 390Ω ±5% ¼W
RE04	1	1	1	1	RT0539114	Resistor, 390Ω ±5% ¼W
RE05	1	1	1	1	RN0510514	Resistor, 1MΩ ±5% ¼W
RE06	1	1	1	1	RN0510514	Resistor, 1MΩ ±5% ¼W
RE07	1	1	1	1	RN0510414	Resistor, 100kΩ ±5% ¼W
RE08	1	1	1	1	RT0510314	Resistor, 10kΩ ±5% ¼W
RE09	1	1	1	1	RT0527314	Resistor, 27kΩ ±5% ¼W
RE10	1	1	1	1	RT0527314	Resistor, 27kΩ ±5% ¼W
RE11	1	1	1	1	RT0510214	Resistor, 1kΩ ±5% ¼W
RE12	1	1	1	1	RT0510214	Resistor, 1kΩ ±5% ¼W

U: For U.S.A. E: For Europe
C: For Canada N: For Scandinavia

REF DESIG.	Q'TY				PARTS NO.	DESCRIPTION
	U	C	E	N		
RE13	1	1	1	1	RT0575214	Resistor, 7.5kΩ ±5% ¼W
RE14	1	1	1	1	RT0575214	Resistor, 7.5kΩ ±5% ¼W
RE15	1	1	1	1	RT0510214	Resistor, 1kΩ ±5% ¼W
RE16	1	1	1	1	RT0510214	Resistor, 1kΩ ±5% ¼W
RE17	1	1	1	1	RT0547414	Resistor, 470kΩ ±5% ¼W
RE18	1	1	1	1	RT0547414	Resistor, 470kΩ ±5% ¼W
RE19	1	1	1	1	RT0556214	Resistor, 5.6kΩ ±5% ¼W
RE20	1	1	1	1	RT0556214	Resistor, 5.6kΩ ±5% ¼W
RE21	1	1	1	1	RT0512314	Resistor, 12kΩ ±5% ¼W
RE22	1	1	1	1	RT0512314	Resistor, 12kΩ ±5% ¼W
RE23	1	1	1	1	RT0515414	Resistor, 150kΩ ±5% ¼W
RE24	1	1	1	1	RT0515414	Resistor, 150kΩ ±5% ¼W
RE25	1	1	1	1	RT0556214	Resistor, 5.6kΩ ±5% ¼W
RE26	1	1	1	1	RT0556214	Resistor, 5.6kΩ ±5% ¼W
RE27	1	1	1	1	RT0556214	Resistor, 5.6kΩ ±5% ¼W
RE28	1	1	1	1	RT0556214	Resistor, 5.6kΩ ±5% ¼W
RE29	1	1	1	1	RT0527314	Resistor, 27kΩ ±5% ¼W
RE30	1	1	1	1	RT0527314	Resistor, 27kΩ ±5% ¼W
RE31	1	1	1	1	RT0512314	Resistor, 12kΩ ±5% ¼W
RE32	1	1	1	1	RT0512314	Resistor, 12kΩ ±5% ¼W
RE33	1	1	1	1	RT0515314	Resistor, 15kΩ ±5% ¼W
RE34	1	1	1	1	RT0515314	Resistor, 15kΩ ±5% ¼W
RE35	1	1	1	1	RT0547414	Resistor, 470kΩ ±5% ¼W
RE36	1	1	1	1	RT0547414	Resistor, 470kΩ ±5% ¼W
RE37	1	1	1	1	RT0527314	Resistor, 27kΩ ±5% ¼W
RE38	1	1	1	1	RT0527314	Resistor, 27kΩ ±5% ¼W
RE39	1	1	1	1	RT0522514	Resistor, 2.2MΩ ±5% ¼W
RE40	1	1	1	1	RT0522514	Resistor, 2.2MΩ ±5% ¼W
RE41	1	1	1	1	RT0568314	Resistor, 68kΩ ±5% ¼W
RE42	1	1	1	1	RT0568314	Resistor, 68kΩ ±5% ¼W
RE43	1	1	1	1	RT0547314	Resistor, 47kΩ ±5% ¼W
RE44	1	1	1	1	RT0547314	Resistor, 47kΩ ±5% ¼W
RE45	1	1	1	1	RT0510314	Resistor, 10kΩ ±5% ¼W
RE46	1	1	1	1	RT0510314	Resistor, 10kΩ ±5% ¼W
RE47	1	1	1	1	RT0522114	Resistor, 220Ω ±5% ¼W
RE48	1	1	1	1	RT0522114	Resistor, 220Ω ±5% ¼W
RE49	1	1	1	1	RT0547414	Resistor, 470kΩ ±5% ¼W
RE50	1	1	1	1	RT0547414	Resistor, 470kΩ ±5% ¼W
RE51	1	1	1	1	RD0104005	Variable Resistor, 100kΩ (B) High
RE52	1	1	1	1	RD0104005	Variable Resistor, 100kΩ (B) Mid
RE53	1	1	1	1	RD0104005	Variable Resistor, 100kΩ (B) Low
RE54	1	1	1	1	RT0582114	Resistor, 820Ω ±5% ¼W
RE55	1	1	1	1	RC0000012	Resistor, 0Ω
RE56	1	1	1	1	RC0000012	Resistor, 0Ω
CE01	1	1	1	1	DF1722405	Film Cap., 0.22μF 50V ±20%
CE02	1	1	1	1	DF1722405	Film Cap., 0.22μF 50V ±20%
CE03	1	1	1	1	EA1060359	Electrolytic Cap., 10μF 35V ±10%
CE04	1	1	1	1	EA1060359	Electrolytic Cap., 10μF 35V ±10%
CE05	1	1	1	1	EE4750251	Electrolytic Cap., 4.7μF 25V ±20%
CE06	1	1	1	1	EE4750251	Electrolytic Cap., 4.7μF 25V ±20%
CE07	1	1	1	1	DD1610101	Ceramic Cap., 100PF 50V ±10%
CE08	1	1	1	1	DD1610101	Ceramic Cap., 100PF 50V ±10%
CE09	1	1	1	1	DF1622205	Film Cap., 2200PF 50V ±10%
CE10	1	1	1	1	DF1622205	Film Cap., 2200PF 50V ±10%
CE11	1	1	1	1	DF1668205	Film Cap., 6800PF 50V ±10%
CE12	1	1	1	1	DF1668205	Film Cap., 6800PF 50V ±10%
CE13	1	1	1	1	DF1622305	Film Cap., 0.022μF 50V ±10%

REF DESIG.	Q'TY				PARTS NO.	DESCRIPTION
	U	C	E	N		
CE14	1	1	1	1	DF1622305	Film Cap., 0.022μF 50V ±10%
CE15	1	1	1	1	DF1622305	Film Cap., 0.022μF 50V ±10%
CE16	1	1	1	1	DF1622305	Film Cap., 0.022μF 50V ±10%
CE17	1	1	1	1	DF1610305	Film Cap., 0.01μF 50V ±10%
CE18	1	1	1	1	DF1610305	Film Cap., 0.01μF 50V ±10%
CE19	1	1	1	1	EE1050501	Electrolytic Cap., 1μF 50V ±20%
CE20	1	1	1	1	EE1050501	Electrolytic Cap., 1μF 50V ±20%
CE21	1	1	1	1	EE3350501	Electrolytic Cap., 33μF 50V ±20%
CE22	1	1	1	1	EE3350501	Electrolytic Cap., 33μF 50V ±20%
CE23	1	1	1	1	EQ1050501	Electrolytic Cap., 1μF 50V ±30%
CE24	1	1	1	1	EQ1050501	Electrolytic Cap., 1μF 50V ±30%
CE25	1	1	1	1	EA1070359	Electrolytic Cap., 100μF 35V ±10%
HE01	1	1	1	1	HT313283A	Transistor, 2SC1328 S,T,U
HE02	1	1	1	1	HT313283A	Transistor, 2SC1328 S,T,U
HE03	1	1	1	1	HT107222A	Transistor, 2SA722 S,T
HE04	1	1	1	1	HT107222A	Transistor, 2SA722 S,T
HE05	1	1	1	1	HT313283A	Transistor, 2SC1328 S,T,U
HE06	1	1	1	1	HT313283A	Transistor, 2SC1328 S,T,U
HE07	1	1	1	1	HT107222A	Transistor, 2SA722 S,T
HE08	1	1	1	1	HT107222A	Transistor, 2SA722 S,T
JE01	1	1	1	1	YP1000113	Plug
JE08	8	8	8	8	YP1000113	Plug
PH01	1	1	1	1	YD2916005	PH01 FILTER BOARD P.W. Board
	1	1	1	1	ZZ2916005	P.W. Board Assembly
PH08	4	4	4	4	293311802	Spacer
RH01	1	1	1	1	RT0510414	Resistor, 100kΩ ±5% ¼W
RH02	1	1	1	1	RT0510414	Resistor, 100kΩ ±5% ¼W
RH03	1	1	1	1	RT0512314	Resistor, 12kΩ ±5% ¼W
RH04	1	1	1	1	RT0512314	Resistor, 12kΩ ±5% ¼W
RH05	1	1	1	1	RT0510514	Resistor, 1MΩ ±5% ¼W
RH06	1	1	1	1	RT0510514	Resistor, 1MΩ ±5% ¼W
RH07	1	1	1	1	RT0510414	Resistor, 100kΩ ±5% ¼W
RH08	1	1	1	1	RT0510414	Resistor, 100kΩ ±5% ¼W
RH09	1	1	1	1	RT0536214	Resistor, 3.6kΩ ±5% ¼W
RH10	1	1	1	1	RT0536214	Resistor, 3.6kΩ ±5% ¼W
RH11	1	1	1	1	RT0522514	Resistor, 2.2MΩ ±5% ¼W
RH12	1	1	1	1	RT0522514	Resistor, 2.2MΩ ±5% ¼W
RH13	1	1	1	1	GJ0533102	Resistor, 330Ω ±5% 2W
RH14	1	1	1	1	GJ0533102	Resistor, 330Ω ±5% 2W
RH15	1	1	1	1	GJ0515101	Resistor, 150Ω ±5% 1W
RH16	1	1	1	1	GJ0515101	Resistor, 150Ω ±5% 1W
CH01	1	1	1	1	DD1620103	Ceramic Cap., 200PF ±10%
CH02	1	1	1	1	DD1620103	Ceramic Cap., 200PF ±10%
CH03	1	1	1	1	DF1627305	Film Cap., 0.027μF 50V ±10%
CH04	1	1	1	1	DF1627305	Film Cap., 0.027μF 50V ±10%
CH05	1	1	1	1	DF1647305	Film Cap., 0.047μF 50V ±10%
CH06	1	1	1	1	DF1647305	Film Cap., 0.047μF 50V ±10%
CH07	1	1	1	1	DF1610305	Film Cap., 0.01μF 50V ±10%
CH08	1	1	1	1	DF1610305	Film Cap., 0.01μF 50V ±10%
R009	1	1	1	1	RT0510414	Resistor, 100kΩ ±5% ¼W
R010	1	1	1	1	RT0510414	Resistor, 100kΩ ±5% ¼W
JH01	1	1	1	1	YP1000113	Plug
JH20	20	20	20	20	YP1000113	Plug
SH01	1	1	1	1	SP0405012	Push Switch

REF DESIG.	Q'TY				PARTS NO.	DESCRIPTION
	U	C	E	N		
PT01 MONITOR BOARD						
PT01	1	1	1	1	YD2916004	P.W. Board
	1	1			ZZ2916004	P.W. Board Assembly
			1	1	ZZ2916804	P.W. Board Assembly
RT01	1	1	1	1	RT0510214	Resistor, 1kΩ ±5% ¼W
RT02	1	1	1	1	RT0510214	Resistor, 1kΩ ±5% ¼W
CT01			1	1	DF1510205	Film Cap.
CT01	1	1			DF1522205	Film Cap., 0.002μF 50V ±5%
CT02	1	1			DF1522205	Film Cap., 0.002μF 50V ±5%
CT02			1	1	DF1510205	Film Cap.
ST01	1	1	1	1	SP0605007	Push Switch
JT01						
JT23	23	23	23	23	YP1000113	Plug
R007	1	1	1	1	RT0510514	Resistor, 1MΩ ±5% ¼W
R008	1	1	1	1	RT0510514	Resistor, 1MΩ ±5% ¼W
0831	1	1	1	1	291510901	Shield
0832	1	1	1	1	288912005	Insulator
1303	1	1	1	1	285310650	Bearing, K
1308	1	1	1	1	51640410D	Set Screw C.P., 4 x 10
1309	1	1	1	1	54040402N	Spring Washer
1310	1	1	1	1	53110403E	Hexagon Nut
0503	1	1			291616001	Bracket
0508				1	297516025	Bracket
0513	1	1			145525903	Bushing
0518			2	2	54050300R	T.L. Washer, OR
0519			2	2	51060316A	P.H.M. Screw, P3 x 16
0520			2	2	53110303A	Hexagon Nut
0523	4	4			51100308S	B.H.M. Screw, B3 x 8
0524	4	4			53110303A	Hexagon Nut
0525	4	4			54050300R	T.L. Washer, OR
0530	1	1	1	1	54050400R	T.L. Washer, OR
0533	4	4	4	4	51100306S	B.H.M. Screw, B3 x 6
0534	4	4	4	4	53110303A	Hexagon Nut
0602	8	8	8	8	51100306S	B.H.M. Screw, B3 x 6
0603	8	8	8	8	53110303A	Hexagon Nut
0606	2	2	2	2	51100306S	B.H.M. Screw, B3 x 6
0616	1	1	1	1	145525903	Bushing
0620	3	3	3	3	51100306S	B.H.M. Screw, B3 x 6
0623			2	2	51100308S	B.H.M. Screw, B3 x 8
0624			2	2	53110303A	Hexagon Nut
0625			2	2	54050300R	T.L. Washer, OR
J001	1	1	1	1	YT0101003	Terminal, Ground
J002	1	1	1	1	YT0201009	Terminal, Quad. Out 1P
J003	1	1	1	1	YT0204008	Terminal, Phono Aux. 4P
J004	1	1	1	1	YT0208006	Terminal, Tape 1,2 8P
J024			1	1	YP0400056	Plug, Inlet
J025			1	1	YJ0800022	Jack, Fuse Holder
J026			1	1	YT0101003	Terminal, Ground
J014	1	1	1	1	YT0304006	Terminal, Main SPKR
J020			1	1	YJ0800012	Plug, Fuse Holder
J021			1	1	YJ0400048	Jack, AC Outlet
J022			1	1	YJ0400048	Socket, AC Outlet
C008			1	1	DF1722380	Film Cap., 0.02μF 1000V
G001	1				BF1040003	Printed Comp.
C008			1	1	DF1747358	Film Cap., 0.047μF, 250V
C008			1	1	DF1747359	Film Cap., 0.047μF, 125V

REF DESIG.	Q'TY				PARTS NO.	DESCRIPTION
	U	C	E	N		
F001				1	FS1031580	Fuse, 3.15A Semko
F001	1	1			FS1040005	Fuse, 4A
F002			1		FS2040091	Fuse, 4A
W001	1	1			YC0240022	AC Cord
F001			1		FS1030001	Fuse, 3A
J027			1		YL0103018	Terminal
F003			1		FS2030090	Fuse, 3A
C001	1	1	1	1	DK1810301	Ceramic Cap., 0.01μF 50V
C007	1	1	1	1	DK1810301	Ceramic Cap., 0.01μF 50V
0531	1	1	1	1	62041760W	Lug
C006	1	1	1	1	DK1810301	Ceramic Cap., 0.01μF 50V
2610	1	1	1	1	62030039W	Lug
J010	1	1	1	1	YT0204011	Terminal, Pre-Main
R005	1	1			RC1022512	Resistor, 2.2MΩ ¼W ±10%
8236	1	1	1	1	62030039W	Lug
J015	1	1	1	1	YT0304006	Terminal,
PU01 ANT. MUTING BOARD						
PU01	1	1	1	1	YD2916007	P.W. Board
	1	1	1	1	ZZ2916007	P.W. Board Assembly
RU04	1	1	1	1	RK0203032	Variable Resistor, 20k (B)
RU05	1	1	1	1	RK0503010	Variable Resistor, 50k (B)
R004	1	1	1	1	RT0543214	Resistor, 4.3kΩ ±5% ¼W
LU01	1	1	1	1	LB3007526	Balun Coil
LU02	1	1	1	1	LC1154002	Choke Coil
JU01	1	1	1	1	YT0304009	Terminal
JU02	1	1	1	1	YP1000120	Plug
JU03	1	1	1	1	YP1000120	Plug
JU04						
JU07	4	4	4	4	YP1000113	Plug
0605	1	1	1	1	291616005	Bracket
L001	1	1	1	1	LF1120038	ANT. Coil, AM ANT.
L002	1	1	1	1	LC1332002	Choke Coil, 3.3μH
0705	1	1	1	1	281927103	Holder
0706	1	1	1	1	257816052	Bracket, K
0711	2	2	2	2	51100310S	B.H.M. Screw, B3 x 10
0712	2	2	2	2	54050300R	T.L. Washer, OR
0713	2	2	2	2	53110303E	Hexagon Nut
0716	2	2	2	2	51100310S	B.H.M. Screw, B3 x 10
0718	2	2	2	2	53110303E	Hexagon Nut
0528			1	1	62041760W	Lug
8636			1	1	138200503	Clamper
H007	1	1	1	1	HD2000510	Diode, 5B2
C009	1	1	1	1	DK1810351	Ceramic Cap., 100PF ±10%
L003	1	1	1	1	LC1332002	Choke Coil, 3.3μH
C002	1	1	1	1	DK1840301	Ceramic Cap., 0.04μF 50V
J007	1	1	1	1	YL0103018	Terminal, 3P
2705	1	1	1	1	138200503	Clamper

U: For U.S.A. E: For Europe
C: For Canada N: For Scandinavia

REF DESIG.	Q'TY				PARTS NO.	DESCRIPTION	REF DESIG.	Q'TY				PARTS NO.	DESCRIPTION
	U	C	E	N				U	C	E	N		
9536	1	1	1	1	287100501	Clamper	2203	1	1	1	1	285610902	Shield
2716	1	1	1	1	121000501	Clamper	2204	4	4	4	4	285610102	Support
9537	1	1	1	1	138200503	Clamper	2205	1	1	1	1	281810107	Support
2709	1	1	1	1	121000501	Clamper	2206	3	3	3	3	51060304E	B.H.M. Screw, B3 x 4
							2207	2	2	2	2	50020305B	R.H.M. Screw, R3 x 5
							2208	2	2	2	2	59030805P	Washer
							0153	2	2	2	2	288610105	Support
PR01			1		YD2960103	P.W. Board	2213	2	2	2	2	51100306S	B.H.M. Screw, B3 x 6
			1		ZZ2960303	P.W. Board Assembly	0152	1	1	1	1	62030039W	Lug
JR01			12		YJ0800020	Jack	0154	2	2	2	2	54020301E	Flat Washer
JR12							2303	4	4	4	4	288810102	Support
J023		1	1		BY0311001	Terminal	2305	1	1	1	1	291610902	Shield
							2306	4	4	4	4	51100304S	B.H.M. Screw, B3 x 4
							2313	2	2	2	2	288810102	Support
PR01			1		YD2975001	P.W. Board	2314	2	2	2	2	51100306S	B.H.M. Screw, B3 x 6
			1		ZZ2975001	P.W. Board Assembly	2316	1	1	1	1	291610901	Shield
JR01			1		YJ0800020	Socket, Fuse Socket	2317	2	2	2	2	51100304S	B.H.M. Screw, B3 x 4
JR02			1		YJ0800020	Socket, Fuse Socket	0271	1	1	1	1	297510901	Shield
JR03			1		YJ0800020	Socket, Fuse Socket	2323	2	2	2	2	291610101	Support
JR04			1		YJ0800020	Socket, Fuse Socket	2324	2	2	2	2	51100304S	B.H.M. Screw, B3 x 4
JR05			1		YJ0800020	Socket, Fuse Socket	2415		1	1		285416003	Bracket
JR06			1		YJ0800020	Socket, Fuse Socket	2416		2	2		51570305B	P.H. Tapped Screw, P3 x 5
JR07							2418		2	2		51100306S	B.H.M. Screw, B3 x 6
JR12			6		YP1000113	Plug	2425	1	1	1	1	138200503	Clamper
0221	4	4	4	4	293205701	Leg	0251		1	1		291712002	Insulator
0222	4	4	4	4	51490410S	B.H.M. Screw FS, B4 x 10	2428	1	1	1	1	51570306B	P.H. Tapped Screw, P3 x 6
0430	1	1	1	1	288686101	Label, "Marantz" on Transformer	2429	1	1	1	1	54050300R	T.L. Washer, OR
0431	1	1	1	1	951022101	Label, Fuse Caution	2432	1	1	1	1	121000501	Clamper
0510	6	6	6	6	51100306S	B.H.M. Screw, B3 x 6	2433	1	1	1	1	51570306B	P.H. Tapped Screw, P3 x 6
0527			1		54050400R	T.L. Washer, OR	2434	1	1	1	1	54050300R	T.L. Washer, OR
0622			2		51100306S	B.H.M. Screw, B3 x 6	2503	1	1	1	1	291710551	Chassis, K
0907	10	10	10	10	51570306B	P.H. Tapped Screw, P3 x 6	2513	5	5	5	5	288600502	Clamper
1707	1	1	1	1	288910903	Shield	2514	3	3	3	3	288600506	Clamper
1708	2	2	2	2	51100306S	B.H.M. Screw, B3 x 6	2515	2	2	2	2	288600505	Clamper
1713	4	4	4	4	51570306B	P.H. Tapped Screw, P3 x 6	2519	2	2	2	2	291616007	Bracket
1715	2	2	2	2	288912006	Insulator	2521	2	2	2	2	285310102	Support
1716	1	1	1	1	54020301E	Flat Washer	2522	2	2	2	2	54040402N	Spring Washer
0051	6	6	6	6	291612002	Insulator	0352	1	1	1	1	291612005	Insulator
2008	8	8	8	8	51570306B	P.H. Tapped Screw, P3 x 6	0353		1			295616008	Bracket
2034	1	1	1	1	291610903	Shield	0354		2			51570305B	P.H. Tapped Screw, P3 x 5
2035	3	3	3	3	51570306B	P.H. Tapped Screw, P3 x 6	2530	2	2	2	2	288925901	Bushing
2107	1	1	1	1	51570306S	P.H. Tapped Screw, P3 x 6	2532	1	1	1	1	281805603	Buffer
2109	3	3	3	3	51100306S	B.H.M. Screw, B3 x 6	2607	3	3	3	3	51570306B	P.H. Tapped Screw, P3 x 6
0071	1	1	1	1	297516001	Bracket	2611	1	1	1	1	51570306B	P.H. Tapped Screw, P3 x 6
0072	1	1	1	1	290825901	Bushing	2615	1	1	1	1	51570306B	P.H. Tapped Screw, P3 x 6
2114	4	4	4	4	51570308B	P.H. Tapped Screw, P3 x 8	0451	1	1	1	1	62030039W	Lug
2115	1	1	1	1	291616006	Bracket	2706	2	2	2	2	51570305B	P.H. Tapped Screw, P3 x 5
2116	1	1	1	1	51570408B	P.H. Tapped Screw, P4 x 8	0452	1	1	1	1	54050300R	T.L. Washer, OR
2117	2	2	2	2	51570310B	P.H. Tapped Screw, P3 x 10	2710	1	1	1	1	51570306B	P.H. Tapped Screw, P3 x 6
2118	2	2	2	2	54040302N	Spring Washer	FR01		1			FS1040003	Fuse, 4A
0151	1	1	1	1	54050400R	T.L. Washer, OR	FR02		1			FS1010003	Fuse, 1A
2128	4	4	4	4	51490514A	B.H.M. Screw FS, B5 x 14	FR03		1			FS1010003	Fuse, 1A
2129	4	4	4	4	53110501A	Hexagon Nut	W001		1			YC0190003	AC Cord
2130	4	4	4	4	54040602N	Spring Washer	C004	1	1	1	1	EC1090502	Electrolytic Cap., 10000µF 50V
							C005	1	1	1	1	EC1090502	Electrolytic Cap., 10000µF 50V
							L004	1	1			TS6050208	Power Transformer
							L004			1	1	TS6050209	Power Transformer

U: For U.S.A. E: For Europe
C: For Canada N: For Scandinavia

REF	Q'TY				PARTS NO.	DESCRIPTION
	DESIG.	U	C	E		
FP01				1	FS1035080	Fuse, 3.5A 250V SEMKO
FP02				1	FS1010080	Fuse, 1A 250V SEMKO
FP03				1	FS1010080	Fuse, 1A 250V SEMKO
0115	4	4	4	4	52017039J	Bolt
0120	1	1	1	1	291605501	Collar
0207	4	4	4	4	51480406S	B.H.M. Screw F, B4 x 6
0216	10	10	10	10	51100406S	B.H.M. Screw, B4 x 6
0303	1	1	1	1	290415404	Knob, Power Sw.
0304	1	1	1	1	285015401	Knob, Slide Vol.
0305	10	10	10	10	288615403	Knob, Push Sw.
0307	2	2	2	2	281815403	Knob, (24φ)
0402	1				297526501	Indicator
0403		1			297526502	Indicator
0404			1		297526503	Indicator
0754				1	297526509	Indicator
0410	2	2	2	2	51060306S	P.H.M. Screw, P3 x 6
0411	1	1	1	1	257886101	Label, UL Caution
0413	1	1	1	1	293286101	Label, Caution "Do Not Remove."
0414	1	1	1	1	250626506	Indicator, Do Not Use As....
0419		1			951091101	Label, LL No.
0420		1			282186102	Label, Fuse Caution
0421	1				951091102	Label, UL Factory No.
0424	1				951110102	Label, UL
0751				1	288286102	Label
0752		1			951061104	Label, 4A 250V
0753	1				281886101	Label, FTC
0819	1	1	1	1	289610701	Sheet
0823	2	2	2	2	289610701	Sheet
1410	1	1	1	1	285011202	Shaft
1411	1	1	1	1	54040402N	Spring Washer
1612	1	1	1	1	291526901	Protector
1613	2	2	2	2	51570305B	P.H. Tapped Screw, P3 x 5
1615	2	2	2	2	287105302	Cover
1618	1	1	1	1	291626901	Protector
1619	2	2	2	2	51100306S	B.H.M. Screw, B3 x 6
1910	1	1	1	1	56382540G	Eyelet
2802	1				297585101	Instructions, Set
2803	1	1	1	1	297585131	Instructions, Set
0951				1	297585129	Instructions, Leaflet
2807	1				288685110	Instructions, Leaflet
0953	1				281885402	Guarantee Card, Warranty
2809	1	1			297585601	Schematic
2810			1		297585602	Schematic
2813				1	297585605	Schematic
2814	1	1	1		281885108	Instructions, Accessories
2816				1	291585102	Instructions, Accessories
2817	1	1	1		281885104	Instructions, Packing
2824	1	1	1	1	257785401	Guarantee Card
2825	1	1	1	1	257785102	Instructions, Red Tag
2826	1				257781301	Envelope
0952		1			291881301	Envelope
2831			1		281881301	Envelope
2902	1	1	1		297580101	Packing Case, Inner
2903	1	1	1		297580111	Packing Case, Outer
2904				1	297580103	Packing Case, Inner
2907				1	297580113	Packing Case, Outer
2908	1	1	1	1	288680302	Cushion

REF	Q'TY				PARTS NO.	DESCRIPTION
	DESIG.	U	C	E		
2909	1	1	1	1	288680303	Cushion
2911					291580701	Reinforcing
2912	1	1	1	1	901483838	Polyethylene Bag
2914	1	1	1	1	901302501	Polyethylene Bag
2915	1	1	1	1	901302501	Polyethylene Bag
1052		2			951090102	Label
2917	1	1	1		102980401	Sleeve
2918			1		956000004	Hang Tag
2919	1	1	1	1	273182101	Silicagel
2920	1	1	1	1	281905601	Buffer
2922	4				952281501	Serial No. Card
2923		4			952301512	Serial No. Card
2924			4		952301511	Serial No. Card
2925				4	952301513	Serial No. Card
2928				1	288286101	Label
1051	1	1	1	1	291810713	Sheet
2931	1	1	1	1	ZA0200007	Ext. Antenna

SPECIFICATIONS

AUDIO CIRCUITS:

Rated Power Output	
(Continuous average per channel, all channels driven)		
Power Output	45 Watts at 4 ohms 40 Watts at 8 ohms 20 Watts at 16 ohms
Power Band	20 Hz to 20 kHz
THD	0.25%
High-level hum and noise (ref. 40W at 8 ohms)	-60 dB
Phono hum and noise	1.5 μ V equivalent input
Dynamic range (phono input to tape recording output)	90 dB
I.M. Distortion (SMPTE), at rated power	0.3%
Distortion decreases as output is lowered		
Total Harmonic Distortion, at rated power	0.25% Maximum
Distortion decreases as output is lowered		
Damping Factor (ref. 8 ohms)	Greater than 30
Frequency Response		
Through phono	\pm 2 dB
Input Sensitivity (for 40W at 8 ohms)		
High-level	180 mV
Phono (1,000 Hz)	1.8 mV
High-level	100,000 ohms
Phono	47,000 ohms
Channel Separation 20 Hz to 10,000 Hz	30 dB Minimum

FM SECTIONS:

IHF Usable Sensitivity	2.3 μ V
Selectivity	60 dB
Noise Quieting	-55 dB at 5 μ V -60 dB at 10 μ V -65 dB at 50 μ V
Total Harmonic Distortion, 400 Hz, 100% Mod.	(Mono) 0.2% (Stereo) 0.4%
Frequency Response (ref. 50 μ sec. de-emphasis)	\pm 1 dB 50 Hz to 15 kHz
Stereo Separation	1,000 Hz 40 dB
Sub-Carrier (38 kHz) Suppression	60 dB

GENERAL:

Power Requirements	220V ~ 50/60 Hz
(This unit can be converted by a qualified technician to operate on 110/120/240V~50/60 Hz)		
At rated output, both channels operating	170 Watts
Idling Power (Volume Control at zero)	30 Watts
Dimensions		
Panel Width	17-3/8 Inches
Panel Height	5-3/8 Inches
Depth	14-3/8 Inches
Weight		
Unit alone	30.8 lbs
Packed for shipment	38.1 lbs

*These specifications and exterior designs may be changed for improvement without advance notice.

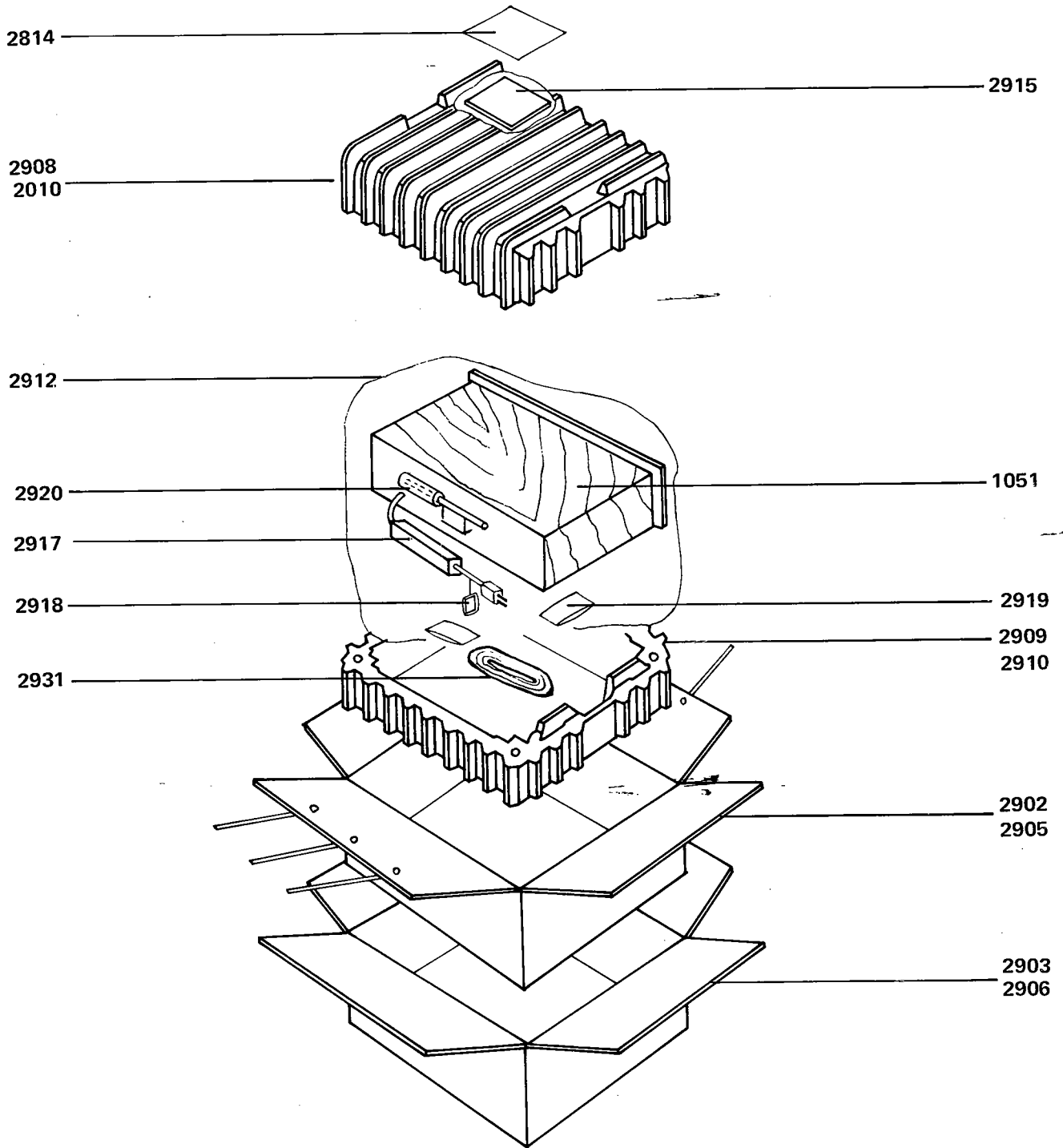


Fig. 37 Packing

SERVICE INFORMATION FOR EUROPEAN MODEL

The information contained here in includes the rear panel and main chassis component locations, schematic diagram, voltage conversion and FTZ regulation.

For the circuit description, alignment method and repairing hints, refer to the original service manual.

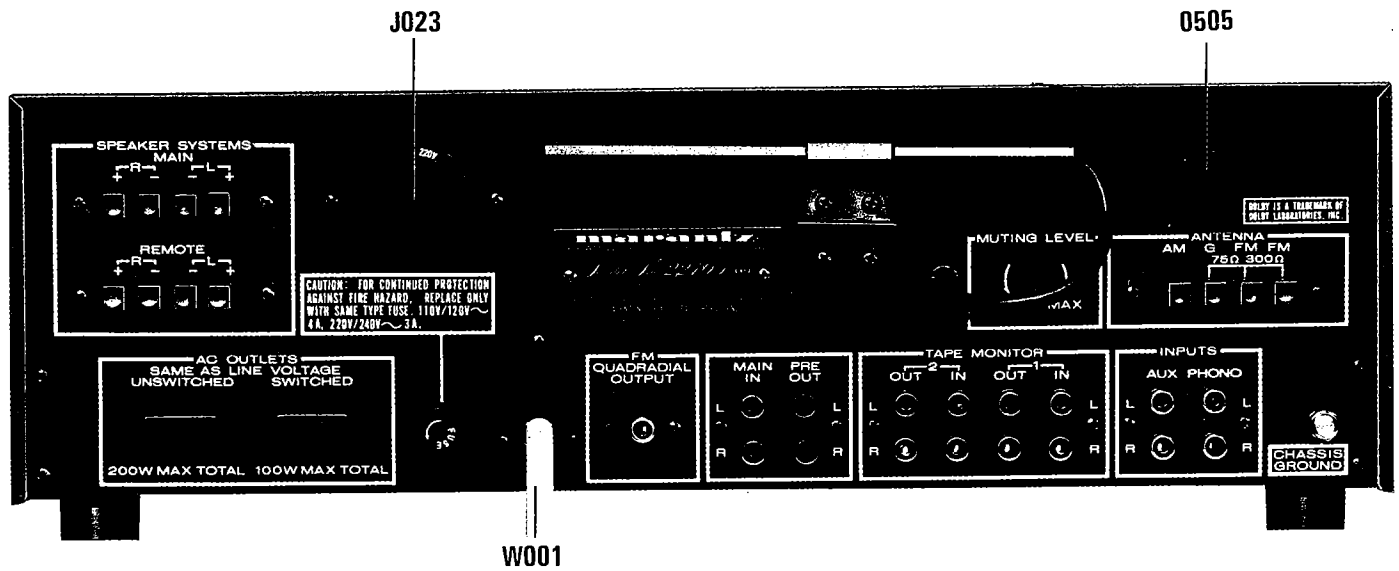


Fig. 38 Rear Panel Adjustments and Component Locations for European Model

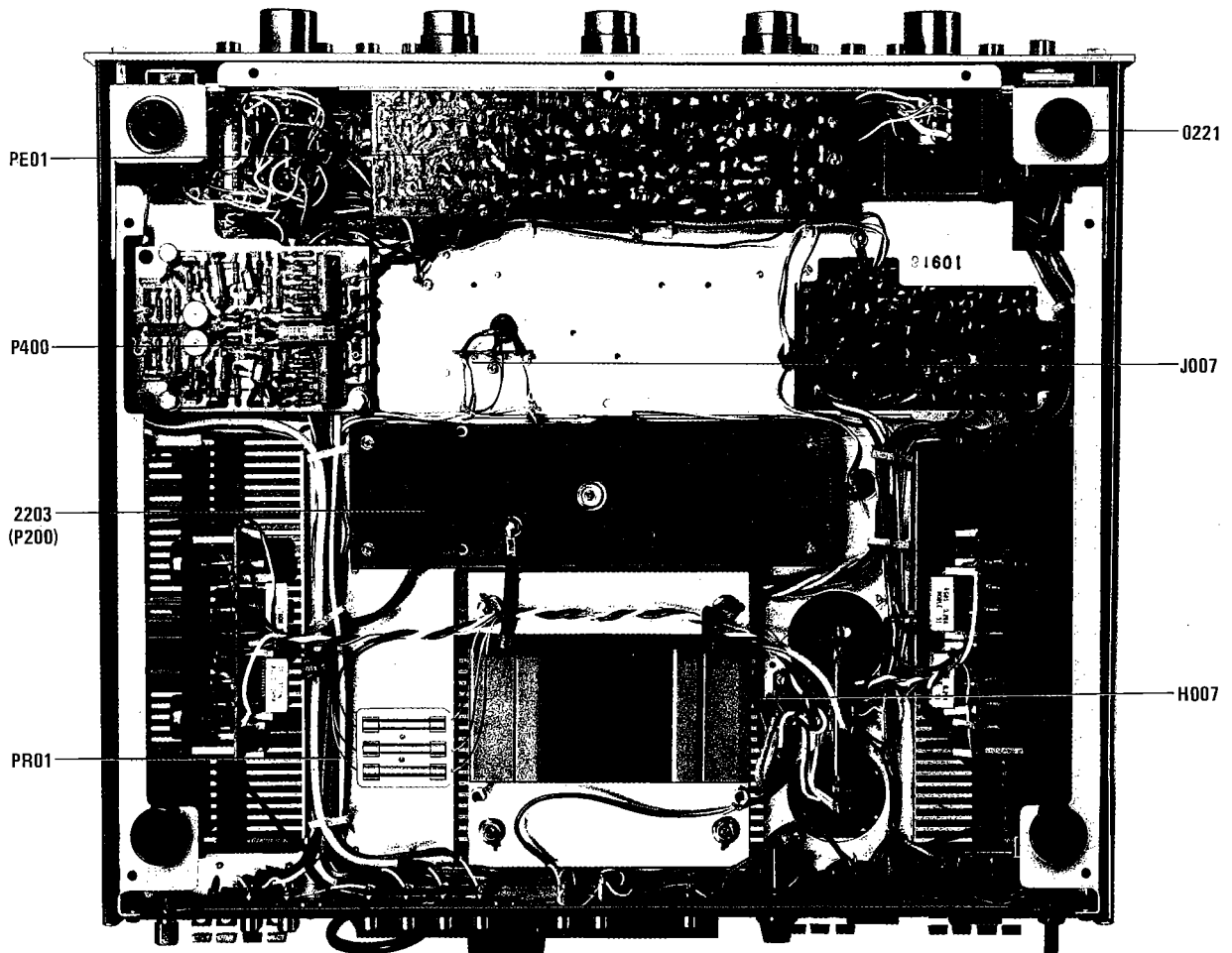


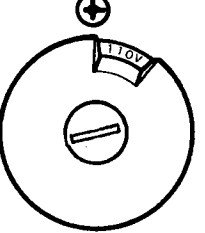
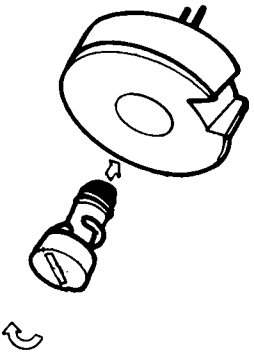
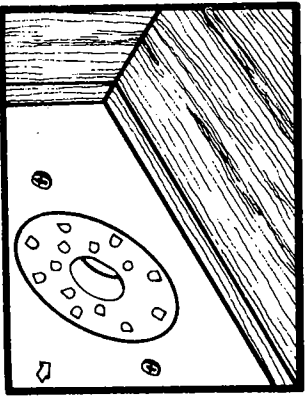
Fig. 39 Main Chassis Component Locations (Bottom View) for European Model

VOLTAGE CONVERSION

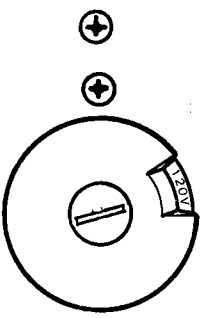
This Model is equipped with a universal power transformer to permit operation at 110, 120, 220 and 240 V AC 50/60 Hz.

To convert the unit to the required voltage, set the plug as illustrated so that you can adjust the voltage as required.

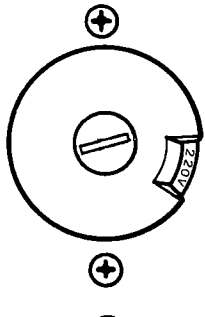
CAUTION: DISCONNECT POWER SUPPLY CORD FROM AC OUTLET BEFORE CONVERTING VOLTAGE.



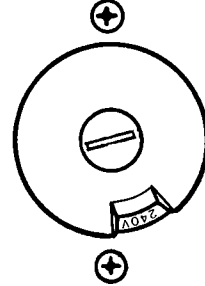
For 110V Operation



For 120V Operation



For 220V Operation



For 240V Operation

Fig. 40 Voltage Conversion Chart

FTZ REGULATION

Instruction for the use in the range other than specified in FTZ codes

Achtung für die Leute, die in dem Gebiet wohnen, wo die FTZ-Bestimmungen vorherrschend sind.

Sollte das Gerät auch für Frequenzen ausserhalb des in den FTZ-Bestimmungen angegebenen Bereiches empfangsbereit sein, bitten wir, den Bereich durch Nachstellen des Kernes in der Oszillatortspule (in der Abbildung mit „FTZ“ gekennzeichnet) so zu korrigieren, dass er den Bestimmungen entspricht.

NOTE: This schematic diagram applied to units manufactured for the European market.

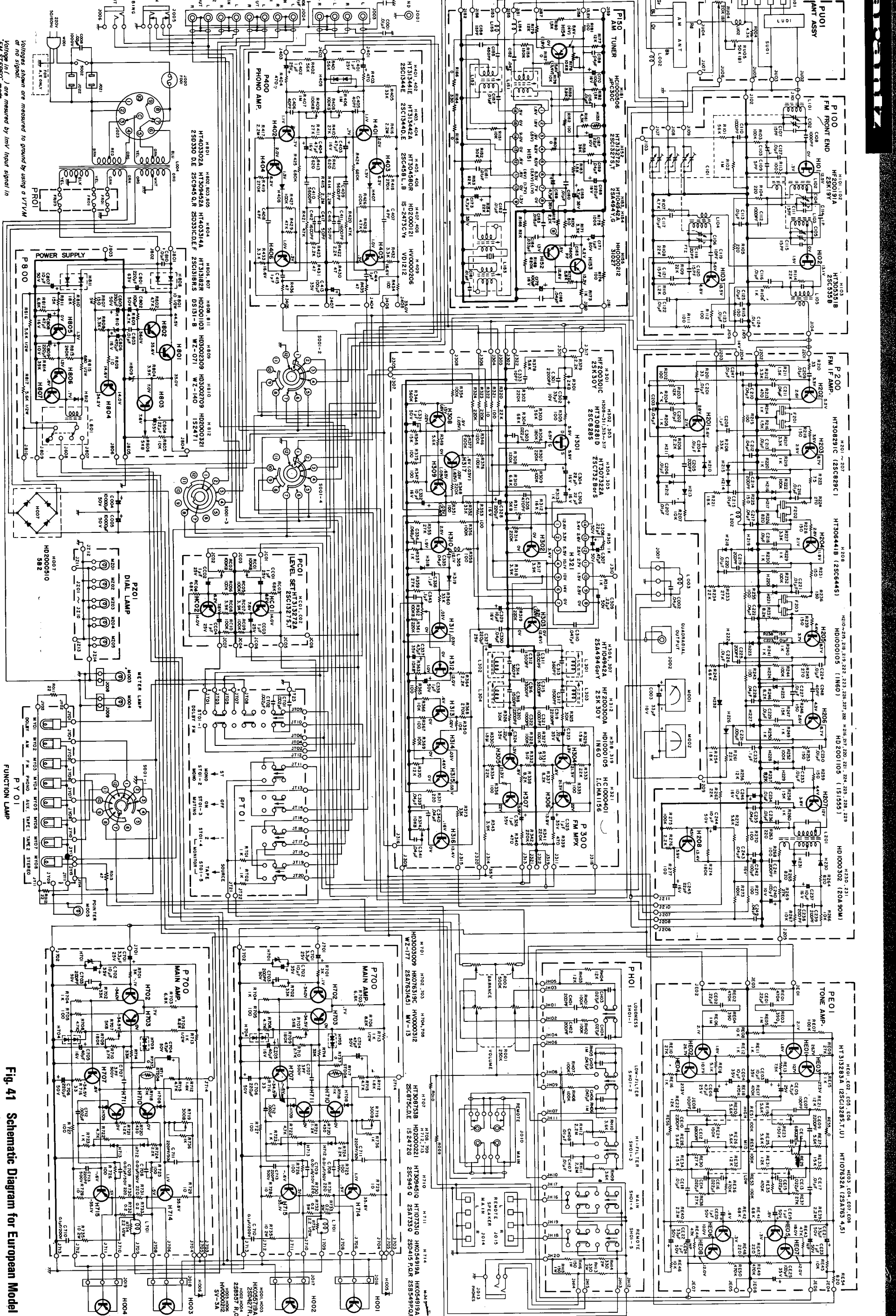


Fig. 41 Schematic Diagram for European Model