

marantz

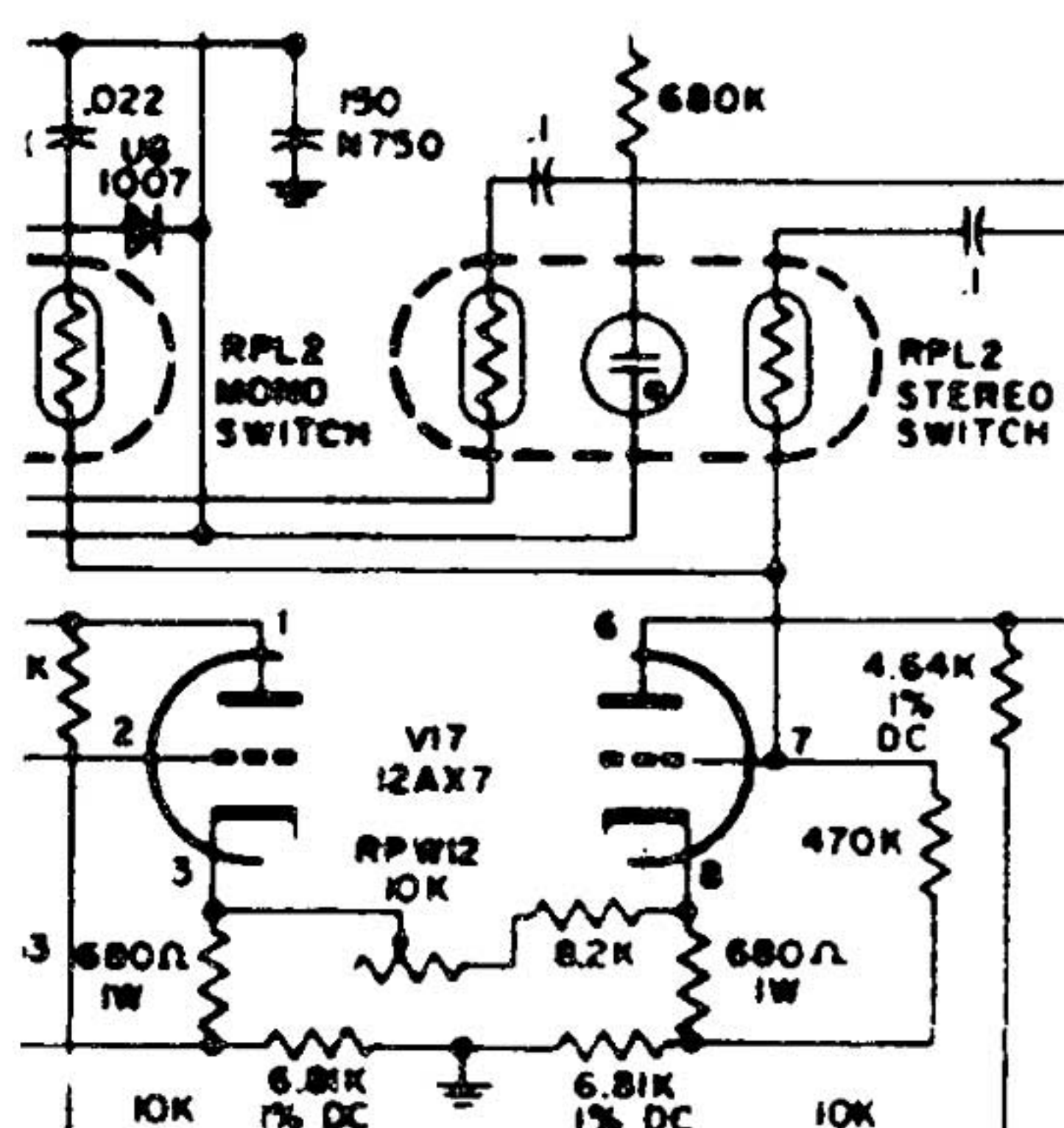
SERVICE BULLETIN

SS-MAR0234

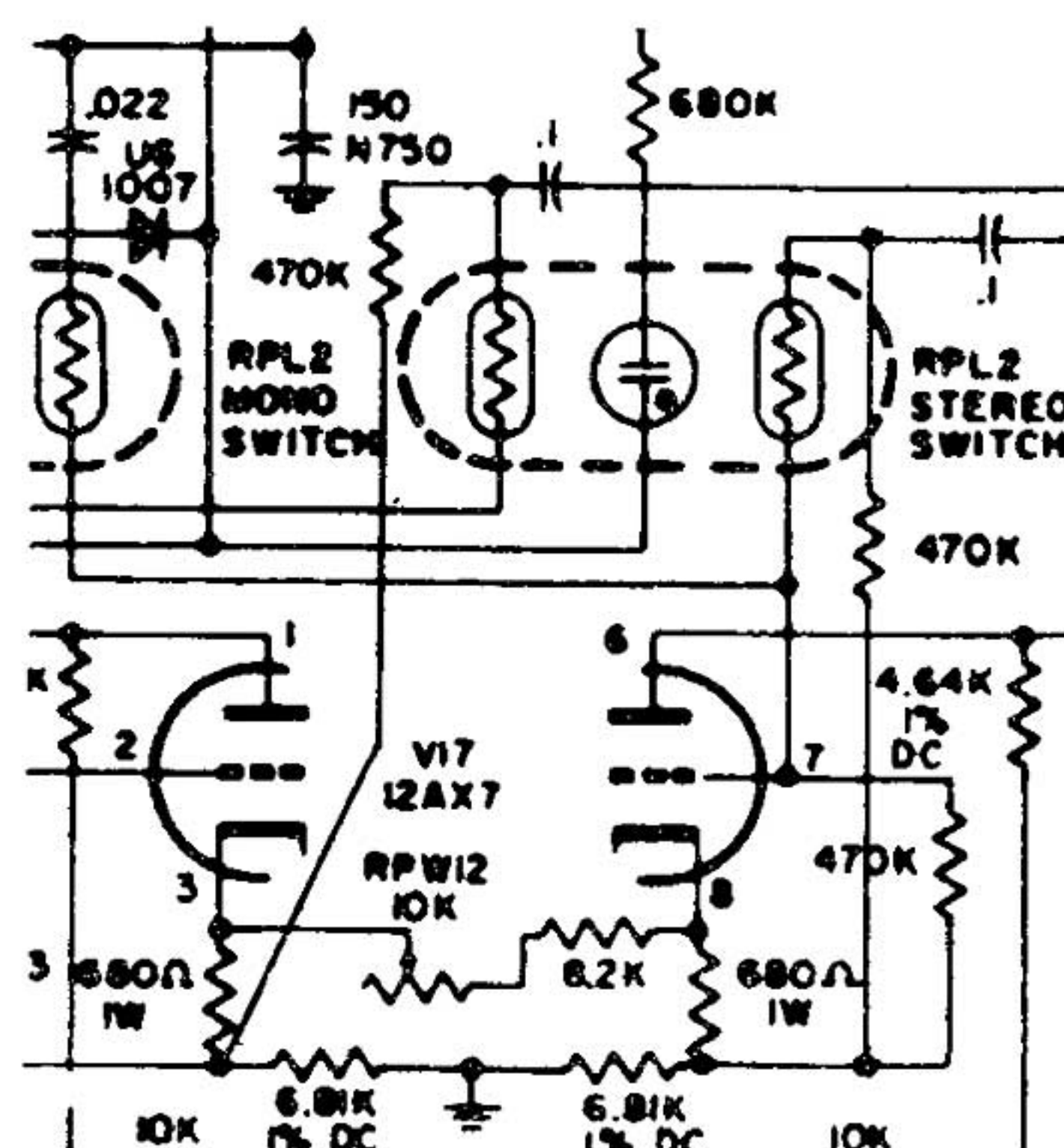
model number 10B	bulletin number M-10B-2
for serial numbers ALL	
subject WARM UP TRANSIENTS	
engineering approval <i>[Signature]</i>	date 6/17/76

If you receive customer complaints regarding strong pop transients from the Marantz Model 10B during warm-up, the following modification is recommended.

At Stereo Switch RPL2, install two 470K ohm 1/4 W resistors (part number 434-6472) as shown below:

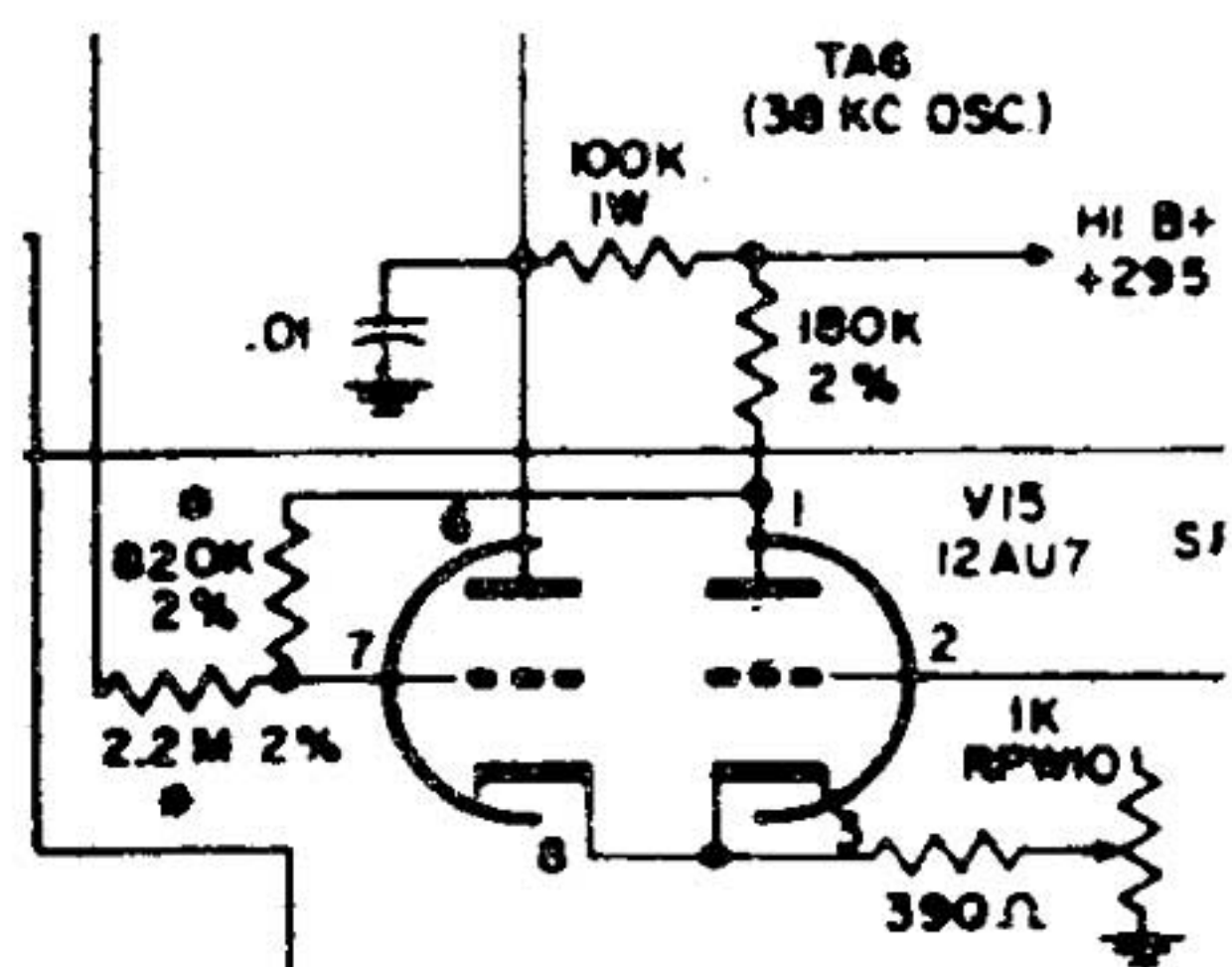


ORIGINAL

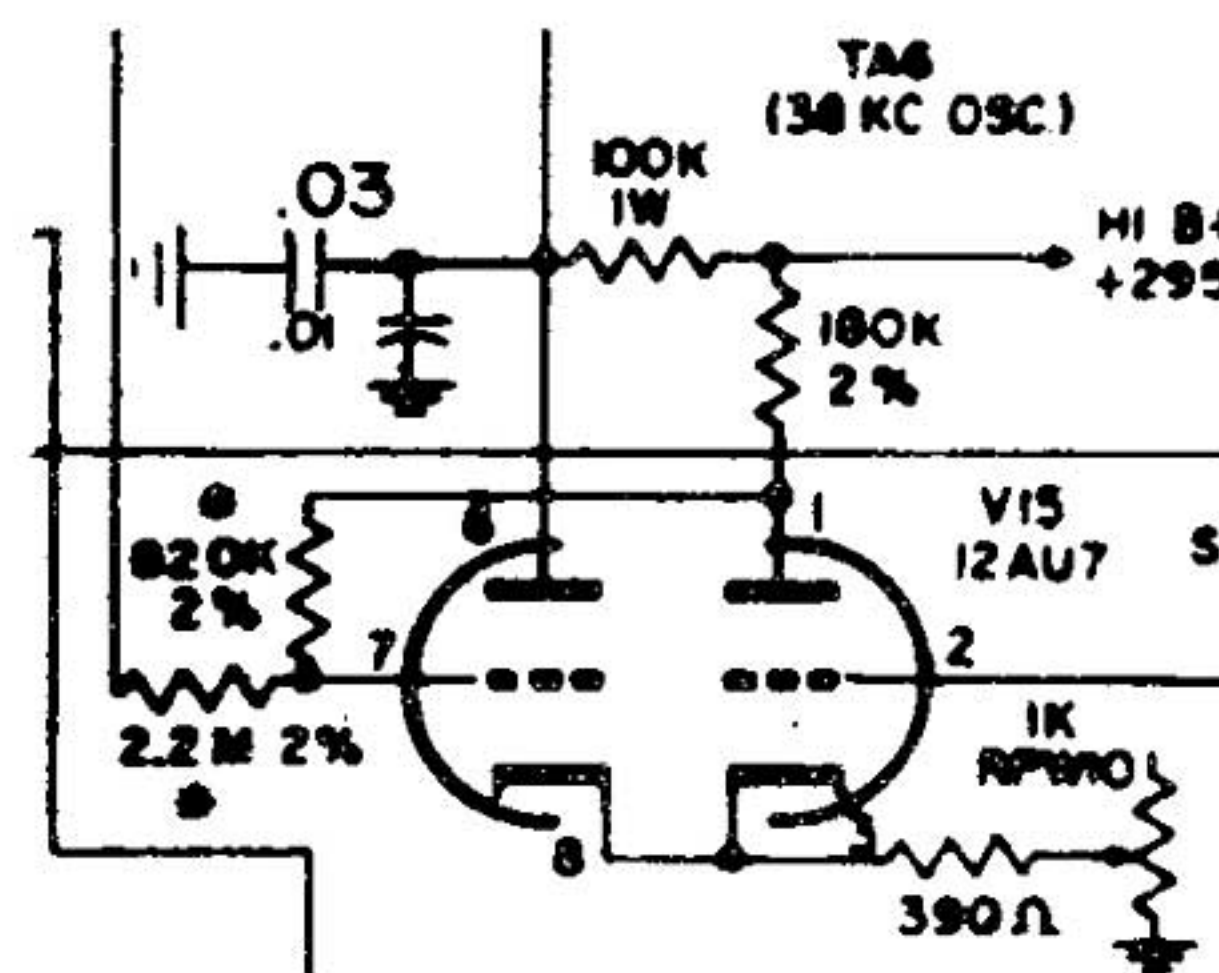


MODIFIED

If a click noise occurs when the stereo indicator lamp is activated, it is recommended a .03 uF 450 V capacitor be installed at V15 as shown below:



ORIGINAL



MODIFIED

[Signature]

Albert Almeida, Manager
Technical Services