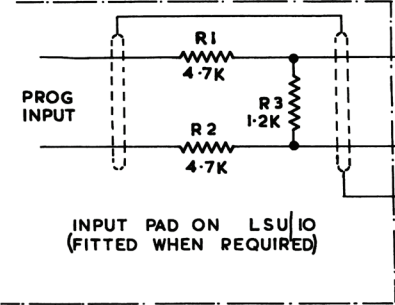
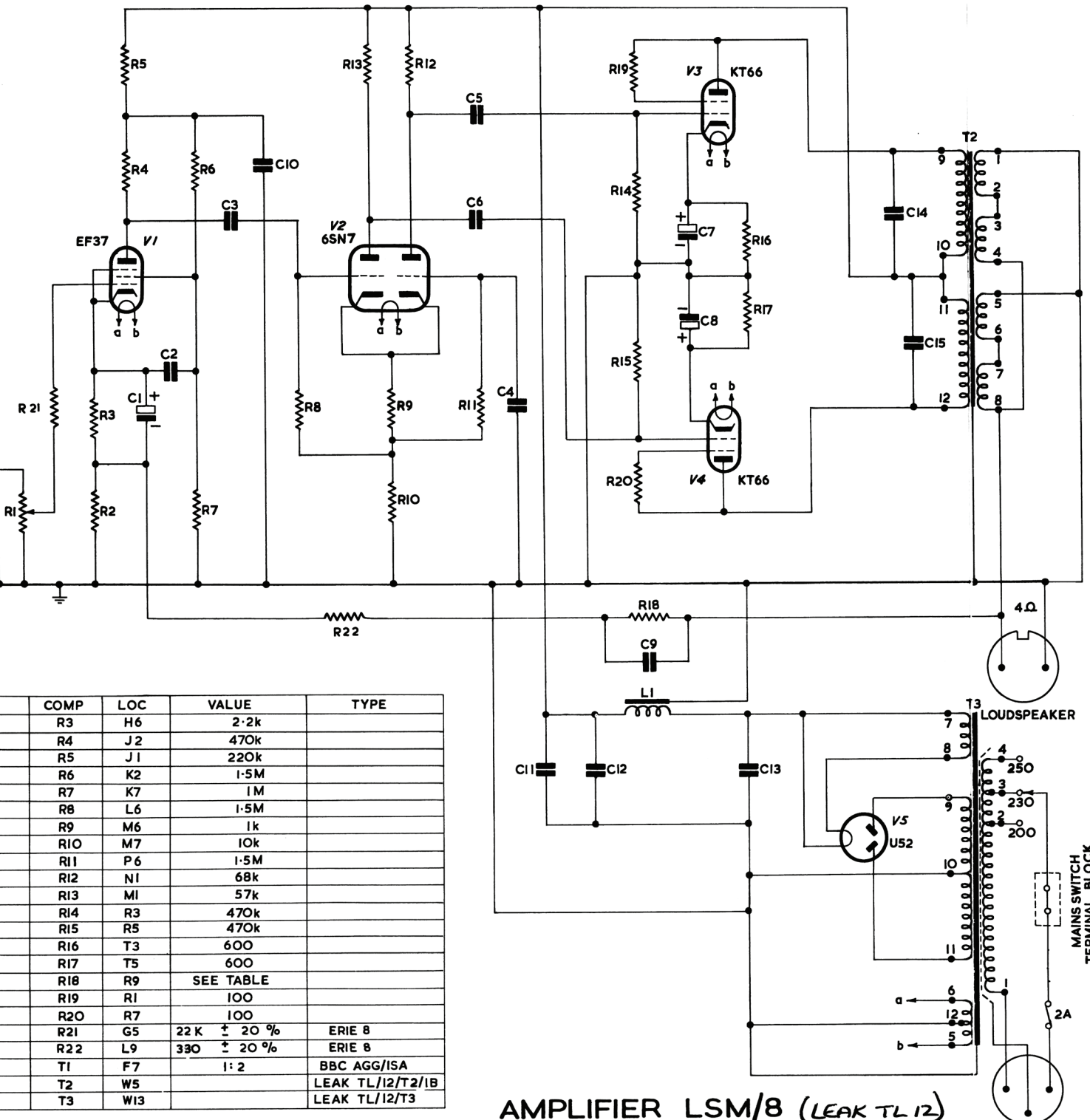


OUTPUT TRANSFORMER		FEEDBACK COMPONENTS	
LOAD Ω	STRAPPINGS	R18 k Ω	C9 pF
1	1-3-5-7 2-4-6-8	2.2	500
4	2-3/6-7 1-5/4-8	4.7	500
9	2-3-5 4-6-7	6.6	300
16	2-3/4-5 6-7	9	300

NOTE:- CONNECTIONS SHOWN FOR T2 SECONDARY WINDING ARE FOR 4 Ω LOAD (LS/I)



COMP	LOC	VALUE	TYPE	COMP	LOC	VALUE	TYPE
C1	J6	50		R3	H6	2.2k	
C2	J5	0.25		R4	J2	470k	
C3	K3	0.25		R5	J1	220k	
C4	P6	0.25		R6	K2	1.5M	
C5	P2	0.25		R7	K7	1M	
C6	P3	0.25		R8	L6	1.5M	
C7	S3	25		R9	M6	1k	
C8	S4	25		R10	M7	10k	
C9	R9	SEE TABLE		R11	P6	1.5M	
C10	L2	4		R12	N1	68k	
C11	Q11	4		R13	M1	57k	
C12	Q11	4		R14	R3	470k	
C13	T11	4		R15	R5	470k	
C14	V3	0.001		R16	T3	600	
C15	V5	0.001		R17	T5	600	
				R18	R9	SEE TABLE	
				R19	R1	100	
				R20	R7	100	
L1	R10			R21	G5	22K \pm 20%	ERIE 8
				R22	L9	330 \pm 20%	ERIE 8
R1	G7	50k		T1	F7	1:2	BBC AGG/ISA
R2	H7	100		T2	W5		LEAK TL/12/T2/1B
				T3	W13		LEAK TL/12/T3



AMPLIFIER LSM/8 (LEAK TL 12)