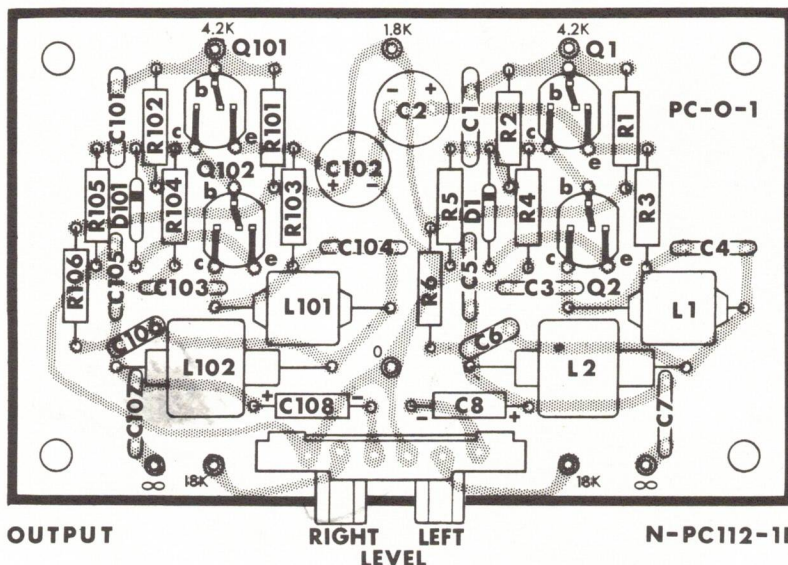


Q1, Q101 - QA-1
 Q2, Q102 - QA-14



Z-PC-01 Parts List

C1, C101, C7, C107	CC-.015-10%	Q1, Q101	QA-1 (2N1305)
C2, C102	CEPC-50/15	Q2, Q102	Germanium*
C3, C103, C5, C105	CC-2700-10%		QA-2 (2N1304)
C4, C104	CC-6800-10%		Germanium**
C6, C106	CC-470-10%	R1, R101	RC21-22K
C8, C108	CTT-1/25	R2, R102, R4, R104, R6,	RC21-4.7K
D1, D101	DSI-1	R106	RC21-15K
L1, L101	LRFC-.01	R3, R103	RC21-68
L2, L102	LRFC-.05	R5, R105	RCV-2 x 25K-PC
		R7-R107	

8.3 Test and Service Procedures with Instruments

a. General Service Notes & Transistor Precautions

Service, other than replacement of pilot lights, is usually not required. If the tuner is not operating properly, all external connections should be checked to make sure that the difficulty is in the tuner. Generally, it is advisable to replace the connection to the tuner with a tape recorder or similar device to check out the amplifier performance. If the difficulty appears to be located in the tuner, the level controls should be first checked to insure that they are rotated away from their extreme counter-clockwise positions. Then, the transistors should be checked by replacing them with new ones, one by one. **Transistor defects frequently do not show up in a transistor tester.** Only operation in the tuner will insure the proper operation of transistors. Transistors may be checked for shorts as outlined below.

*For a PNP Silicon equivalent, 2N3702.

**For NPN Silicon equivalents, QA-14 or 2N2924, 2N3710.

Transistor Electrical and Mechanical Precautions

1. All cracked printed circuit boards should be replaced.
2. Only 60 watt or smaller soldering irons are to be used because larger ones emit too much heat and will cause the circuit boards to de-laminate or possibly crack. Use as little heat as possible to obtain good solder connections.
3. PC boards should be handled only by the edges. Do not put fingers across the boards.
4. Be exceptionally careful to install the **correct transistor in the correct socket**; and **correctly install the transistor into the socket.**

Transistor Test Precautions

1. The cases of some of the transistors we are using are "hot" (have voltage on them) so be very careful not to short them.