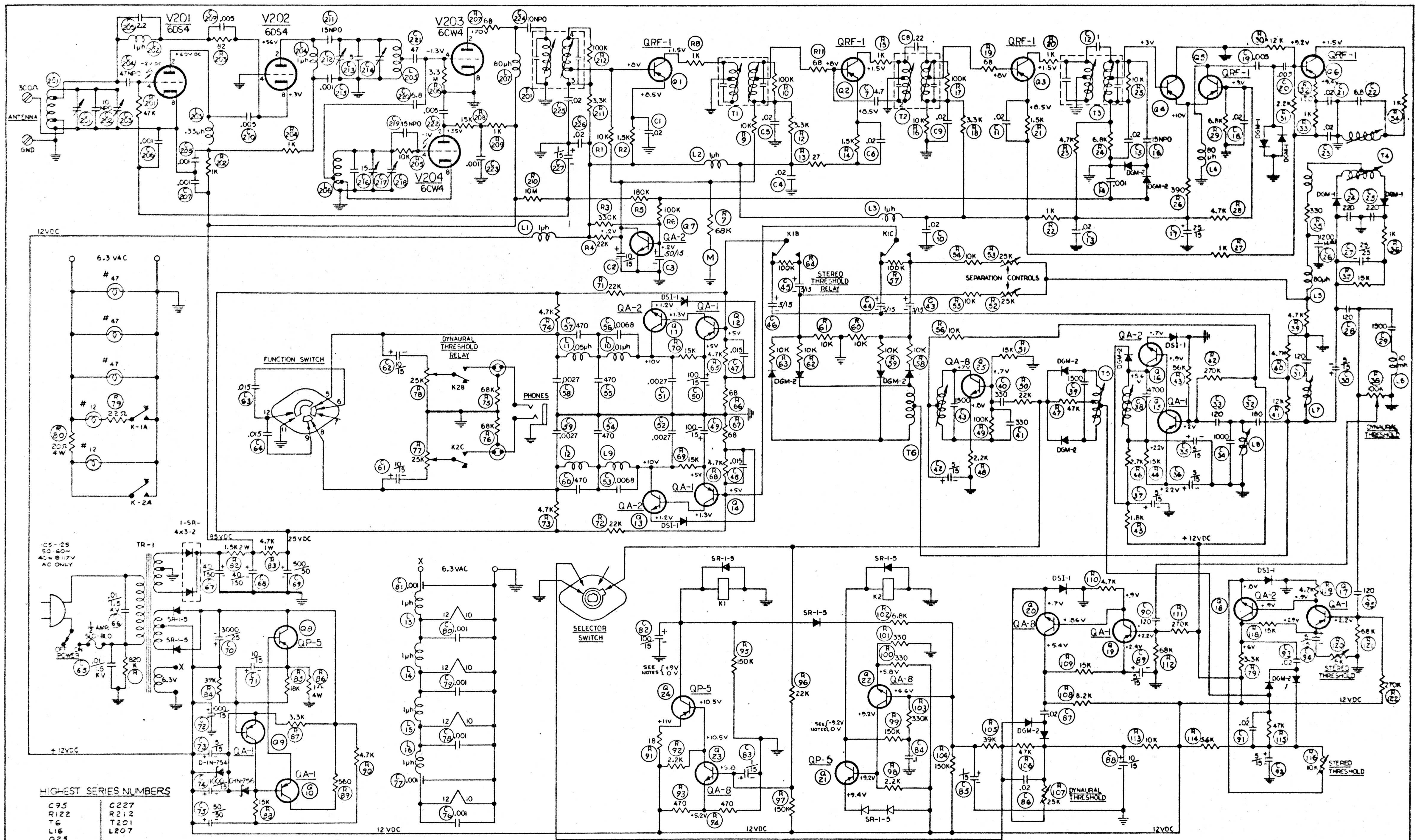


HiFi ENGINE®

For more Hi-Fi manuals and set-up information
please visit www.hifiengine.com



HIGHEST SERIES NUMBERS
 C95 R122 T6 L16 Q25
 C227 R212 T201 L207

REVISIONS
 1 IN 754 - 6.2V 400mW 2
 2 IN 756 - 8.2V 400mW 2

NOTES:
 Q24 VOLTAGES - +9V STEREO PULL-IN (.0V MONO DROP-OUT)
 Q21 VOLTAGES - +9.2V SQUELCH OFF RELAY PULL-IN
 (.0V SQUELCH ON RELAY DROP-OUT).

TYPE 4312 TRANSISTOR FM-MPX TUNER

SCALE: —	CIRCUIT DIAGRAM	10-4-63
H. H. SCOTT, INC. MAYNARD, MASS. U.S.A.		
DR. A. P. RAMOS	ENG. —	DWG. NO. D-432-C-1
CH	PROD.	SUB. 1