

MODEL 312 SOLID STATE FM STEREO TUNER



The new Scott 312 transistor tuner brings a major improvement to FM stereo listening. It is probably the most significant new component to come from Scott in many years. Here for the first time, and at a modest cost, is a tuner that actually delivers all the advantages that modern technology has promised. ■ The superb performance of the new Scott 312 required an entirely new approach to tuner circuit design . . . not merely a substitution of transistors for tubes. ■ One of the most significant innovations in the 312 is the four-stage IF circuit. Here, Scott uses silicon IFs to assure long life, exceptional

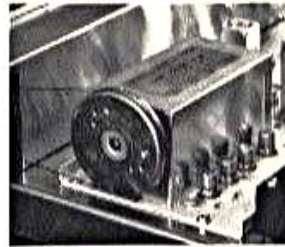
stability and unequalled selectivity. Only Scott utilizes expensive silicon transistors in the IF circuit. This innovation alone assures better performance than from any other tuner, tube or transistor. ■ The new Scott 312 solid-state FM stereo tuner is as important an accomplishment in the evolution of the high fidelity industry as were its predecessors, the famous 310A and the 350A. Built without compromise . . . it exceeds the performance of conventional tube units. It is factory guaranteed for two full years.



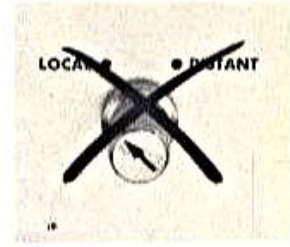
Exclusive "Comparison" pinpoints front-proof actual automatic stereo switching. Momentary changes in signal strength will not cause stereo to switch in and out as do ordinary automatic devices. New computer-like device samples incoming signal and compares it to a fixed noise signal. If the incoming signal includes only noise, the Comparison is not fooled. It stays in the mono-plus mode. If the incoming signal includes a 19 kc multiplex pilot carrier, the 312 instantly locks itself into stereo operation.



Only Scott utilizes expensive silicon transistors for the IF circuit. This use offers remarkable stability, selectivity and wide bandwidth — far superior to geranium transistor performance. In addition "Flat Tuning" circuit assures quiet, noise-free FM reception, impervious to pulses caused by automobile ignitions and other electrical noises.

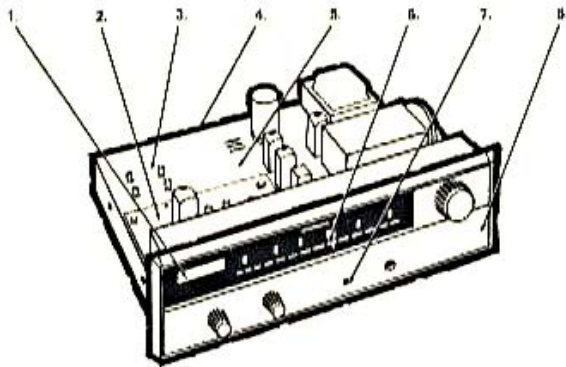


New Scott silver-plated four resistor front end outperforms even the best conventional vacuum tube front ends. Resistors with their low internal heat and lower noise give greater reliability, longer life, and guaranteed stability over years of use. Specially is conservatively rated at 22 watt (RMS). The average unit will exceed this figure.



There is no "local-distant" switch on the new model 312, since it is not needed. Most solid state tuners have poor overload capabilities and require this cumbersome switching which prevents you from receiving distant stations in the local position and causes severe distortion and overload on strong nearby stations when in the distant position.

FEATURES



1. Precision D'Arsonval meter for accurate station tuning and perfect antenna orientation.
2. Scott's exciting new Comparatron circuit instantly and quietly switches the tuner to stereo operation when you tune to a stereo broadcast.
3. Special Scott-designed filters improve the listening quality from marginal stations.
4. Separate level controls on the rear deck assure perfect matching to any amplifier or tape recorder.
5. In critical circuit areas Scott . . . and only Scott . . . continues to use expensive copper bonded to the aluminum chassis for maximum sensitivity and lowest noise. Most manufacturers compromise with inexpensive cadmium-plated steel.
6. Easy-to-read slide rule dial with helpful logging scale makes tuning fast . . . easy.
7. Separate stereo indicator gives positive indication of stereo broadcasts.
8. Completely new styling blends perfectly into any decor.

SPECIFICATIONS

Front Panel Features Include: Function Switch with these positions: Off, Normal, Sub Channel Filter, Stereo Filter.

Stereo Selector Switch with these positions: Mono, Automatic Stereo. Other Front Panel Features include: Separate Stereo Indicator Light, Sensitive Tuning Meter, Tape Recorder Output Jack, Precision Slide Rule tuning, Logging Scale.

Rear panel Features include: Audio Outputs, Tape Outputs, Separate Level Controls for each channel, 300 ohm unbalanced antenna input. Nuvistor/Transistor/Diode complement. 2-6CW4, 2-6DS4, 6-QA1, 2-QA2, 1-QA10, 22 Diodes. Selenium Rectification 5-QRF2.

Dimensions: In accessory case: 15" w x 5½" h x 13½" d
 Front Panel: 15" w x 4¾" h
 Depth behind front panel: 11½" (includes fuse-post and allows for audio cable connection)

Weight: 13 lbs.

Usable Sensitivity (IHF) (μv)	2.2
Cross Modulation Rejection (db)	80
Signal/Noise Ratio	65
Distortion (%)	0.8
Frequency Response (Stereo) (cps)	30-15,000*
Capture Ratio (db)	4
Selectivity (db)	35
AM Suppression (db)	55
Audio Hum (db below 1 volt)	70
Separation (db)	35

*Limit of FCC Multiplex Broadcast Specifications. All Scott tuners have far wider response.

All Specifications subject to change without notice.

SCOTT IS THE LEADER

COMPARE THESE KEY FEATURES

	Scott 312	Brand A	Brand B
4 Nuvistor Front End for maximum sensitivity and stability	Yes	No	No
Silver Plated Front End	Yes	No	No
Wide Detector Bandwidth for best separation and minimum distortion. (Wider the better)	3mc	1mc *	1mc
Expensive Silicon Transistors in IF Stages	Yes	No	No
Automatic Stereo Switching	Yes	Yes	Yes
All Aluminum Chassis for lowest operating temperature, lowest hum	Yes	No	No



H.H. Scott, Inc., 111 Powdermill Road, Maynard, Mass.

Export: H.H. Scott International, 111 Powdermill Road, Maynard, Mass. Canada: Atlas Radio Corp., 50 Wingold Ave., Toronto. Cable HIFI