



QUAD

SERVICE MANUAL

MODEL QUAD II-40 AMPLIFIER

1. SPECIFICATIONS

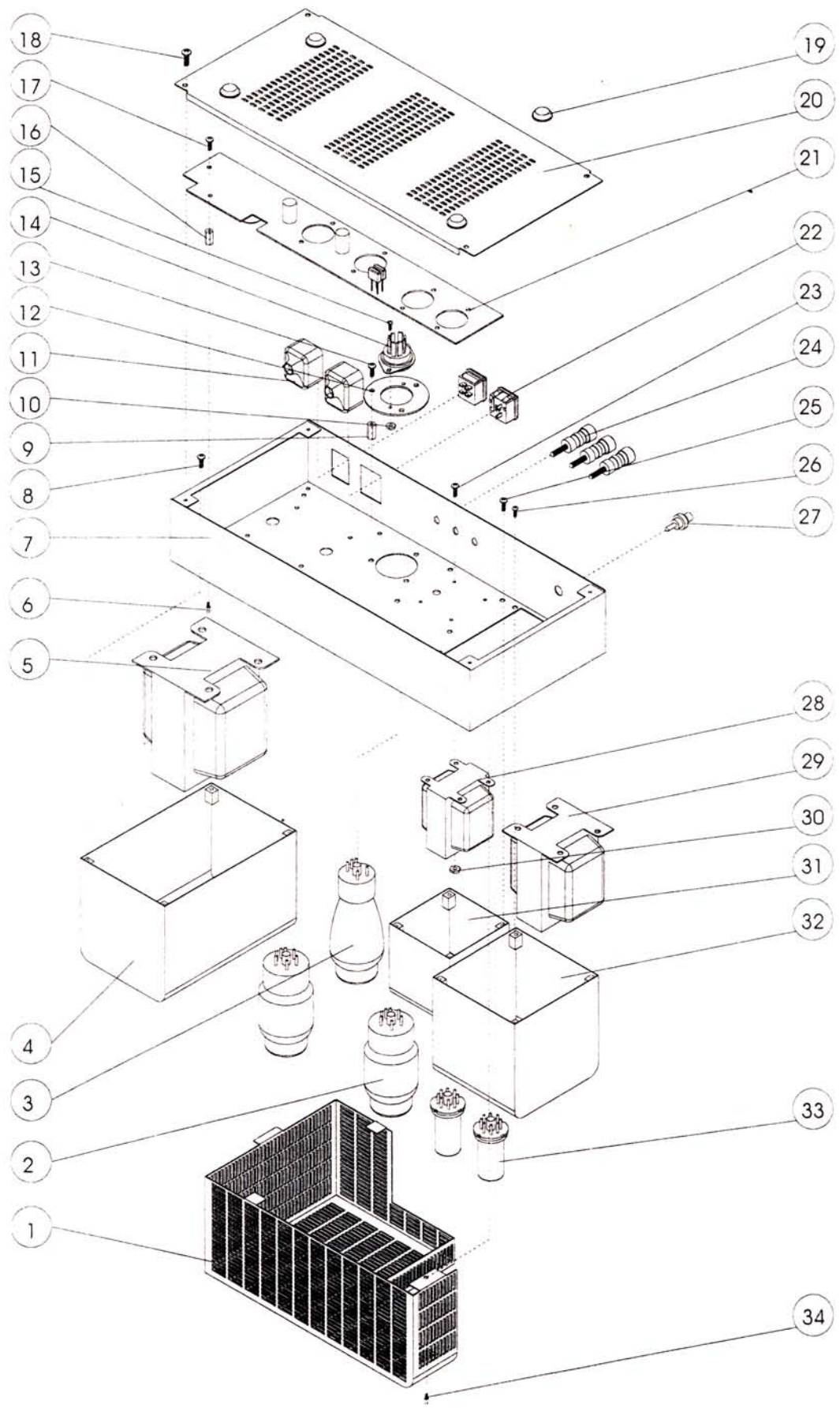
Q II 40	OUTPUT-POWER(8 Ω)	40.5W
	OUTPUT VOLTAGE(FOR MAX. OUTPUT)	20V
	FREQUENCY	20Hz~20kHz
	SIGNAL/NOISE	76dB
	ELECTRICAL CURRENT (STATIC STATE)	<900mm

2. ASSEMBLY SKETCH

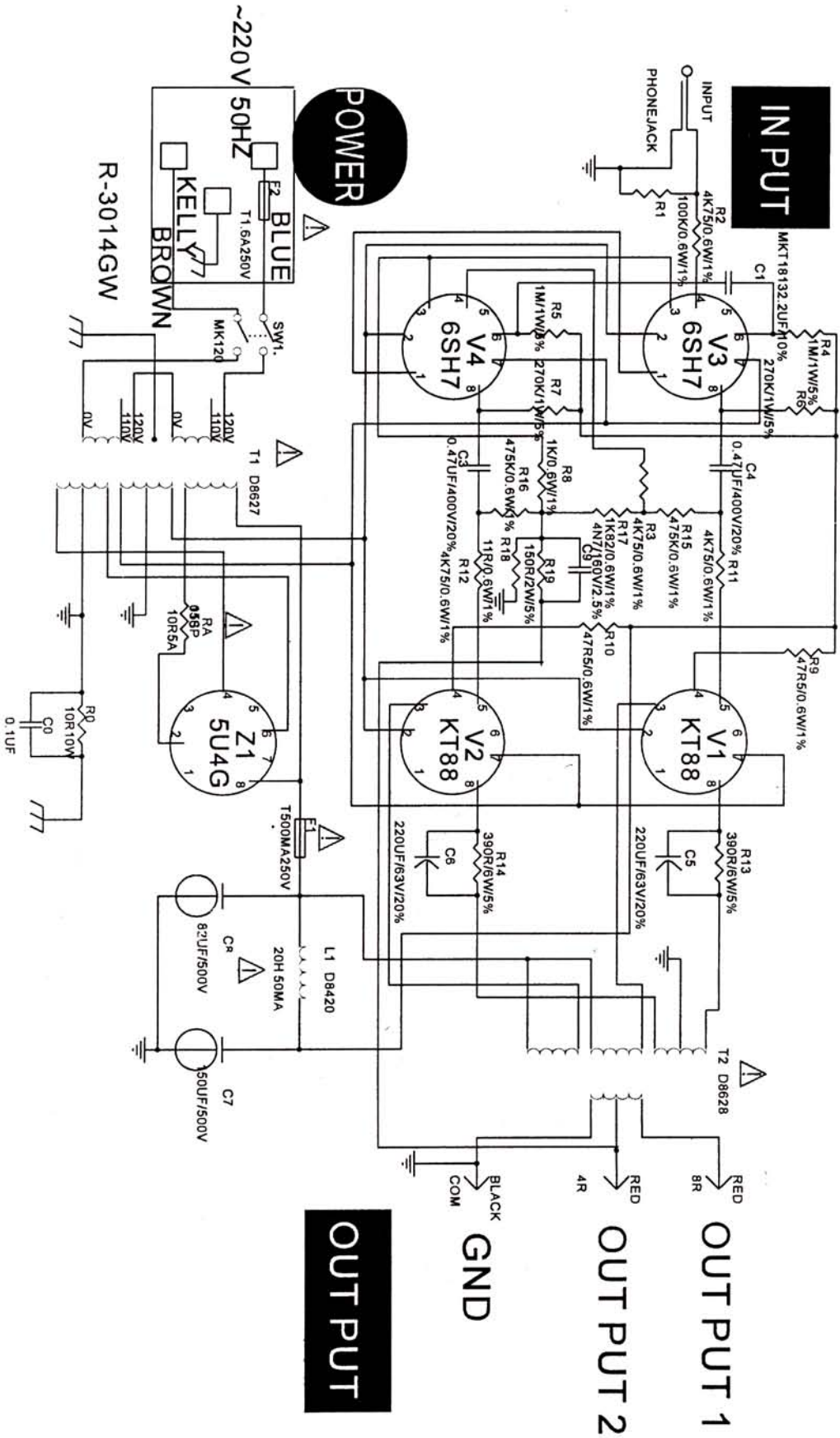
SEE NEXT PAGE

2. ASSEMBLY SKETCH

Q П 40



3. SCHEMATIC DIAGRAM



Q 1140

4. ASSEMBLY PARTS LIST

ITEM	PART NO.	DESCRIPTION AND SPEC.	QTY.	PRICE(GBP)
1	309-1182000021	MAIN CABINET 003.083 115V/230V	1	1.645
2	336-1150000001	SLOPE 003.078	1	1.431
3	336-1150000002	SLOPE 003.079	1	0.239
4	336-1150000003	SLOPE 003.080	1	0.419
5	383-1150000001	SAFELY-COVER 003.093	1	28.34
6	303-1150000001	MANUSCRIPT 003.084	1	1.794
7	305-1150000001	BRACKET 003.090	1	0.825
8	226-0220001021	KICK STARTER FR21-10I(G) \varnothing 21.6*10	4	0.048
9	315-1061995241	PIECE (GND-4)	1	0.021
10	391-1178000001	SOCKET AM-FIECB/PRE	2	0.579
11	231-2080000180	MAT RF-001 \varnothing 8*1.8	4	0.007
12	401-1182000001	MAT(UNDER)C182.01	1	0.043
13	401-1182000002	MAT(ABOVE&LEFT)C182.02	1	0.015
14	401-1182000003	MAT (ABOVE&RIGHT)C182.03	1	0.015
15	538-3001100603A	SCREW Ni D M3*10	8	0.002
16	538-4001060603A	SCREW Ni D M4*6	3	0.003
17	533-3001060301A	SCREW MT(+)*3*6 Zn D	14	0.002
18	533-3001080801	SCREW MT(+)*3*8 BZn D	1	0.002
19	533-4001080801A	SCREW MT(+)*4*8 BZn D	12	0.003
20	533-4001100801A	SCREW MT(+)*4*10 BZn D	12	0.003
21	534-3001100801A	SCREW MK(+)*3*10 BZn D	1	0.002
22	575-1003010200	COLUMNATION M3*10 Ni	10	0.022
23	575-1004014200	COLUMNATION M4*14 Ni	3	0.04
24	500-4070320300A	NUT M4 Zn	5	0.004
25	500-3050240300A	NUTM3 Zn	3	0.001
26	521-3005060500A	WASHERM3*5*0.6 Cu	24	0.001
27	521-4009060300A	WASHER M4*9*0.6 Zn	23	0.007

5. DETAIL PARTS LIST

5.1 POWER AMPLIFIER PCB. PARTS LIST

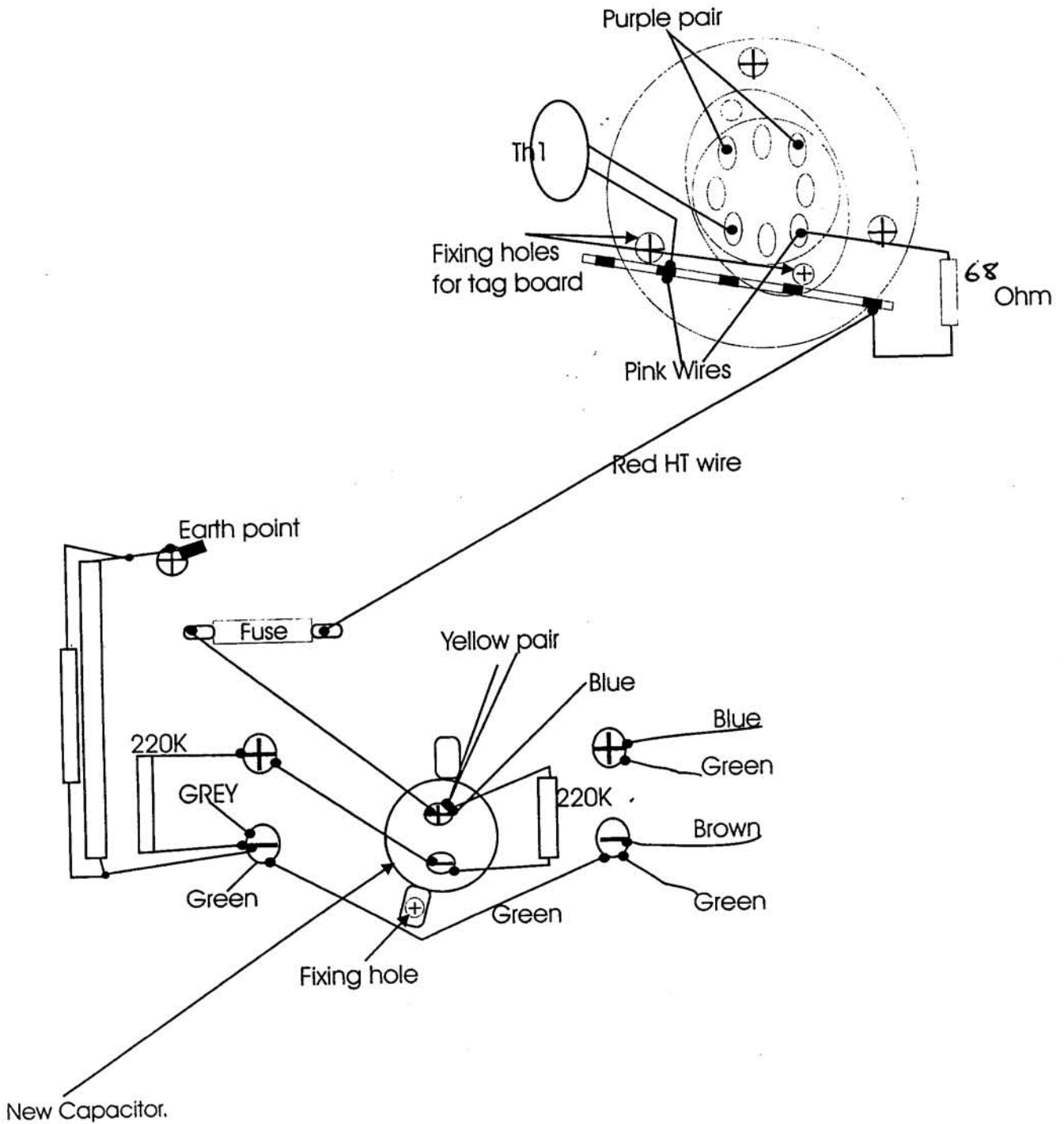
REF. NO.	PART NO.	DESCRIPTION AND SPEC.	QTY.	PRICE(GBP)
1	053-1150001638	P.C.B.374*64*2.5mm	1	4.117
2	001-3901425050	RESISTOR 390R 6W 5%	2	0.087
3	001-1002317050	RESISTOR 1K 0.6W 5%	1	0.015
4	001-4700107050	RESISTOR 47K 1W 5%	2	0.008
5	001-4752317050	RESISTOR 4.75K 0.6W 5%	4	0.01
6	001-1004317050	RESISTOR 100K 0.6W 5%	1	0.009
7	001-4754317050	RESISTOR 475K 0.6W 5%	2	0.01
8	001-1100317050	RESISTOR 11R 0.6W 5%	1	0.01
9	001-1822317050	RESISTOR 1.82K 0.6W 1%	1	0.01
10	001-2701107050	RESISTOR 270K 1W 5%	2	0.01
11	001-1005107050	RESISTOR 1M 1W 5%	2	0.01
12	001-1501408050	RESISTOR 150R 2W 5%	1	0.018
13	016-4747003302	CAPACITOR 0.47uF 400V 5%	2	0.74
14	006-1514254603	CAPACITOR 150uF 500V 20% 25*46mm	1	0.574
15	006-8204253103	CAPACITOR 82uF 500V 20% 25*31mm	1	2.22
16	006-2211122573	CAPACITOR 220uF 63V 10% 12*25mm	2	2.9
17	016-4721330002	CAPACITOR 4.7nF 160V 2.5%	1	0.268
18	060-0030050301	LEAD L=50mm ϕ l=1.0mm ϕ i=0.6mm BLUE	1	0.045
19	060-0030230301	LEAD L=230mm ϕ l=1.0mm ϕ i=0.6mm BLUE	1	0.224
20	060-0030080001	LEAD L=80mm ϕ l=1.0mm ϕ i=0.6mm RED	1	0.075
21	060-0030110001	LEAD L=105mm ϕ l=1.0mm ϕ i=0.6mm RED	1	0.09
22	060-0030020701	LEAD L=25mm ϕ l=1.0mm ϕ i=0.6mm YELLOW	1	0.03
23	060-0030030701	LEAD L=30mm ϕ l=1.0mm ϕ i=0.6mm YELLOW	1	0.03
24	060-0030060701	LEAD L=55mm ϕ l=1.0mm ϕ i=0.6mm YELLOW	1	0.045
25	060-0030090701	LEAD L=90mm ϕ l=1.0mm ϕ i=0.6mm YELLOW	1	0.075
26	060-0030130701	LEAD L=125mm ϕ l=1.0mm ϕ i=0.6mm YELLOW	1	0.105
27	060-1260150510	LEAD L=150MM 26# (silver-gilt)	1	0.046
28	031-2200502121	FUSES 50T0500H	1	0.06
29	061-0060000000	FUSES ϕ =0.6MM	0.45	0.01
30	TERMINALSTURRETTAGS	52	0.933	
31	001-1000411050	RESISTOR 10W 10 Ω 5% L=50CM	1	1.16
32	014-2250511006	CAPACITOR MKT1813 2.2uF 400V 10% GREEN	1	2.9

TO NEXT

5.1 POWER AMPLIFIER PCB. PARTS LIST

REF. NO.	PART NO.	DESCRIPTION AND SPEC.	QTY.	PRICE
33	014-1040511006	CAPACITOR1813 0.1uF 400V 10% YELLOW	1	0.55
34	004-5508000000	CONTAACBREAKER 10R 5A	1	2.64
35	051-4800000000	TERMINAL	1	1.58
36	046-4100000000	AUDIO TERMINAL	2	1.38
37	046-4200000000	AUDIO TERMINAL	1	1.38
38	022-1115802094	TRANSFORMER D8627	1	65.52
39	022-1115802095	TRANSFORMER D8628	1	85.68
40	029-1000000000	FILTER D8420 20 20H 50mA	1	16.6
41	044-0400000000	FLASHBOARD R-3014GW	1	0.613
42	041-2171000000	SWITCH MK120	1	0.523
43	031-2200526121	FUSES 50T016H 1.6A 250V	1	0.058
44	062-5318000110	LEAD PHP-304R.&PHS-301&RVV3G0.75mm2 300/500V	1	0.767
45	060-0220200000	LEAD 1015#22 L=200mm RED	3	0.015
46	060-0240270000	LEAD 1015#24 L=270mm RED	1	0.012
47	060-0240050000	LEAD 1015#24 L=50mm RED	1	0.009
48	060-0220200400	LEAD 1015#22 L=200mm BLACK	2	0.017
49	060-0240290400	LEAD 1015#24 L=290mm BLACK	1	0.012
50	060-0180120300	LEAD 1015#18 L=120mm BLUE	1	0.02
51	060-0180120800	LEAD 1015#18 L=120mm PURPLE	1	0.013
52	060-0180121000	LEAD 1015#18 L=120mm YELLOW&GREEN	1	0.014
53	060-0200250400	LEAD 1007#20 L=250mm BLACK	1	0.012
54	060-0200250000	LEAD 1007#20 L=250mm RED	1	0.012
55	060-0200250700	LEAD 1007#20 L=250mm YELLOW	1	0.012
56	060-0200250800	LEAD 1007#20 L=250mm PURPLE	1	0.012
57	737-0106020000	LEAD ϕ 1=1mm ϕ i=0.6mm BLUE	0.5	0.026
58	737-0106100000	LEAD ϕ 1=1mm ϕ i=0.6mm ORANGE	0.5	0.026
59	391-11780000001	WASHERS29X32mm	2	0.579
60	391-11820000001	WASHERS WHITE	3	0.027
61	819-0008800000	RADIO TUBE KT88	2	25.1
62	819-0504000000	RADIO TUBE 5U4G	1	5.78
63	819-060070000	RADIO TUBE 6SH7	2	2.94
64	820-0020000000	RADIO TUBE PLUG	5	1.4
65	742-0301000000	PIPE ϕ =3MM BLACK	0.09	0.112
66	742-0501000000	PIPE ϕ =5MM BLACK	0.07	0.147

QUAD



Quad Electroacoustics Ltd, I.A.G House, Sovereign Court,
 Ermine Business Park, Huntingdon, Cambs, PE29 6XU United Kingdom.
 Telephone: 0845 458 0011 / 01480 447700 Fax: 01480 431767
 Service Department Telephone: 0845 458 1122 / 01480 452561 Fax: 01480 413403
 Website: www.quad-hifi.co.uk Email: info@quad-hifi.co.uk
 Registered in England Registration No. 1388827. A Member of the International Audio Group

