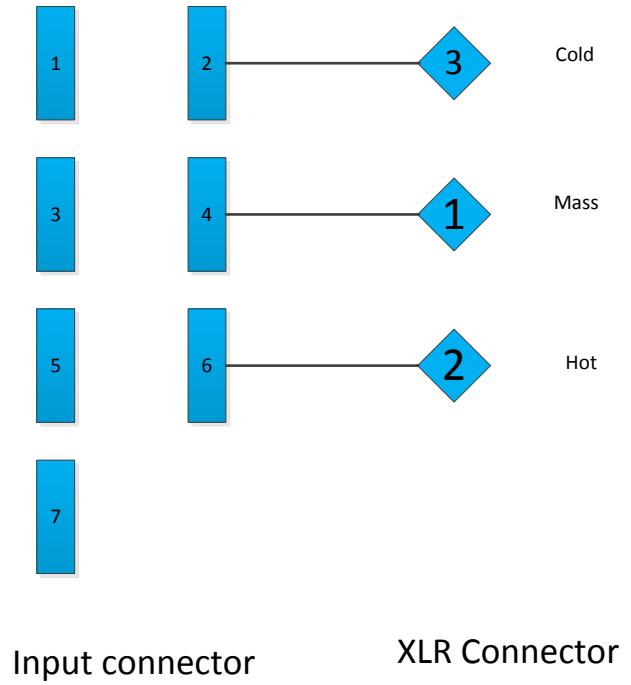


# Topview!!! Solder side



Recipe:  
 Connect pin 1 to 3 with a small diameter wire.  
 Then pin 3 to 5 and so on.  
 Follow the diagram. The loudspeaker is connected between pin 1 and 2.