



LEAK MODEL  
"Point-one Plus"



LEAK MODEL  
"Point-one Plus"

TRADE NAME	Leak Model "Point-One Plus"
IMPORTER	British Industries Corp., 80 Shore Road, Port Washington, N. Y.
TYPE SET	Externally Powered Preamplifier
TUBES (Two)	Types EF86/ 6267 (Or) Z729 Preamplifier, EF86/ 6267 (Or) Z729 Preamplifier

**HOWARD W. SAMS & CO., INC.** Indianapolis 6, Indiana

The listing of any available replacement part herein does not constitute in any case a recommendation, warranty or guaranty by Howard W. Sams & Co., Inc., as to the quality and suitability of such replacement part. The numbers of these parts have been compiled from information furnished to Howard W. Sams & Co., Inc., by the manufacturers of

the particular type of replacement part listed. Reproduction or use, without express permission, of editorial or pictorial content, in any manner, is prohibited. No patent liability is assumed with respect to the use of the information contained herein. © 1959 Howard W. Sams & Co., Inc., Indianapolis 6, Indiana. Printed in U.S. of America

# PARTS LIST AND DESCRIPTIONS

## TUBES ( GENERAL ELECTRIC, SYLVANIA )

ITEM No.	USE	TYPE	ITEM No.	USE	TYPE
V1	Preamplifier	EF86/ 6287	V2	Preamplifier	EF86/ 6287

① Alternate type 2729.

### ELECTROLYTIC CAPACITORS

ITEM No.	RATING CAP. VOLT.	REPLACEMENT DATA					SPRAGUE PART No.
		AEROVOX PART No.	CORNELL-DUBILIER PART No.	MALLORY PART No.	RYKAMID PART No.	SANICAMO PART No.	
C1	8 350	PRS550V8	BR835	TC81	TD-8-350	MT-3508	TVA-1603
C2	50 12	SRE12V50	BBR50-25	TC29	TD-50-25	MQ-0150	TE-1160
C3	50 12	SRE12V50	BBR50-25	TC29	TD-50-25	MQ-0150	TE-1160

### FIXED CAPACITORS

Capacity values given in the rating column are in mfd. for Paper Capacitors, and in mmfd. for Mica and Ceramic Capacitors.

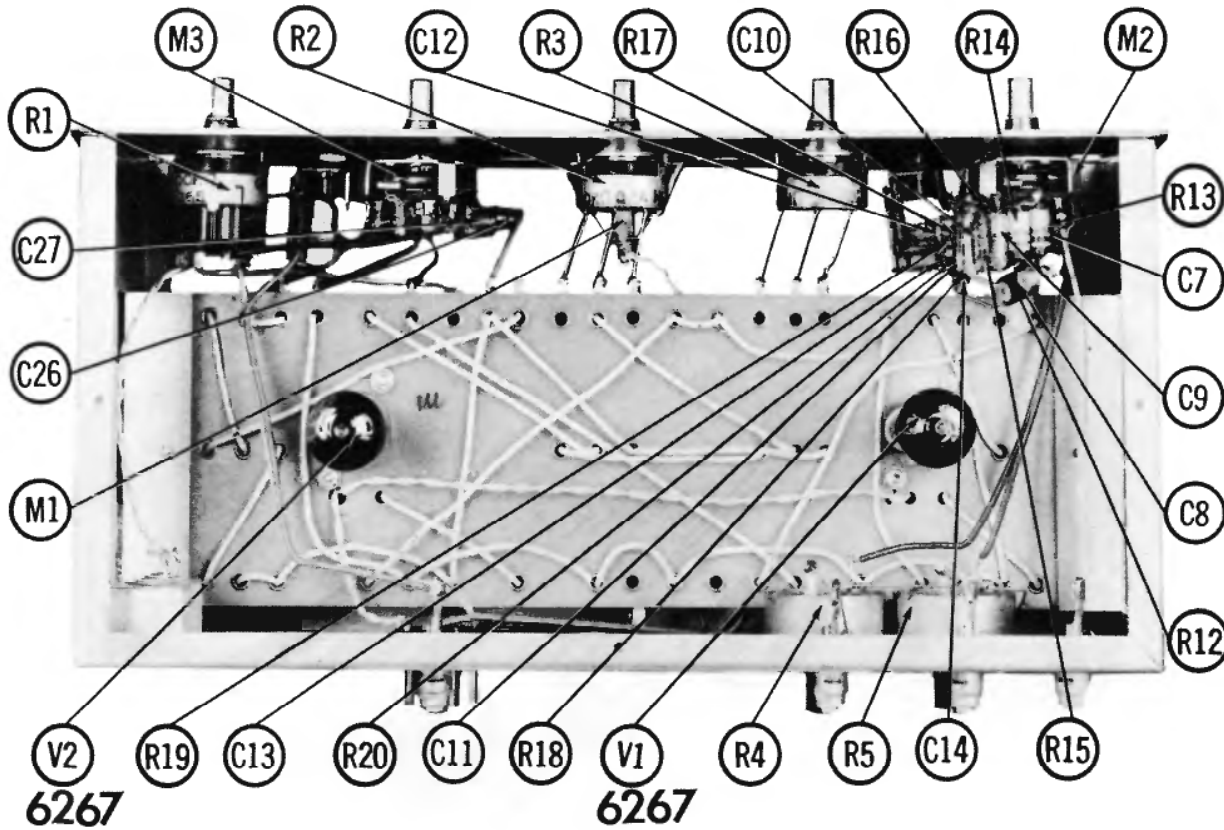
ITEM No.	RATING CAP. VOLT.	REPLACEMENT DATA						NOTES
		AEROVOX PART No.	CENTRALAB PART No.	CORNELL-DUBILIER PART No.	MALLORY PART No.	SPRAGUE PART No.		
C4	.1 150	P288N-1	DF-104	CUB2P1	GEM-201	2TM-P1		
C5	.1 250	P488N-1	DF-104	CUB4T1	GEM-401	4TM-P1		
C6	.1 250	P488N-1	DF-104	CUB4T1	GEM-401	4TM-P1		
C7	15	1468-00015	D6-150	5W9Q15	MC240	1FM-415		
C8	250	1468-00025	D6-251	5W9T25	MC285	1FM-325		
C9	100	1468-0001	D6-101	5W9T11	MC285	1FM-31		
C10	100	1468-0001	D6-101	5W9T11	MC285	1FM-31		
C11	50	1468-00005	D6-500	5W9Q5	MC285	1FM-45		
C12	150	1468-00015	D6-151	5W9T15	MC286	1FM-35		
C13	50	1468-00005	D6-500	5W9Q5	MC225	1FM-45		
C14	125	P488N-1	DF-104	CUB4T1	GEM-401	4TM-P1		
C15	.1 250	1467-001	D6-102	1W5D1	MC255	1FM-21		
C16	1000	1467-001	D6-102	1W5D1	MC255	1FM-21		
C17	1000	1467-001	D6-102	1W5D1	MC237	1FM-32		
C18	200	1468-0002	D6-201	5W5T2	MC241	1FM-33		
C19	200	1468-0002	D6-201	5W5T2	MC241	1FM-33		
C20	300	1468-0003	D6-301	5W5T3	DC511	5HK-S1		
C21	10000	SI10000	D6-103	L76S1	GEM-4025	4TM-P25		
C22	.25 250	P488N-25	D6-501	CUB4P25	MC245	1FM-35		
C23	500	1468-0005	D6-501	5W5T5	MC245	1FM-35		
C24	500	1466-0005	D6-501	5W5T5	MC245	1FM-35		
C25	1000	1467-001	D6-102	1W5D1	MC255	1FM-21		
C26	6500	1467-0025	D6-252	1W5D25	GEM-4025	1FM-225		
C27	2500	P488N-25	D6-252	CUB4P25	GEM-4025	4TM-P25		
C28	.25 250							

### CONTROLS

ITEM No.	RATING RESIST-ANCE	WATTS	REPLACEMENT DATA				INSTALLATION NOTES
			LEAK PART No.	CENTRALAB PART No.	CLAROSTAT PART No.	IRC PART No.	
R1A	100K	1/2	B-41	A47-100K-Z	Q13-128	U41	Volume
B	Shaft	1/2	Not Req.	RS-2	PQ	US-27	Not Req.
C	Switch	1/2	KB-2 or KB-2	SWE-20	76-2	U87	Treble
R2A	500K	1/2	B-59	A47-500K-S	Q11-114	U87	Not Req.
B	Shaft	1/2	Not Req.	RS-2	PQ	U87	Not Req.
R3A	5meg	1/2	B-87	A47-5meg-S	Q11-141	U87	Bass
B	Shaft	1/2	Not Req.	RS-2	PQ	Not Req.	Pickup Tuner
R4	100K	1/2					
E1	250K	1/2					

\* Use KB with CRL "Red Label" controls and KB with "Blue Label" controls.

### CHASSIS—TOP VIEW



# PARTS LIST AND DESCRIPTIONS (Continued)

## RESISTORS

All wattages 1/2 watt, or less, unless otherwise listed.

ITEM No.	RATING		LEAK PART No.	NOTES	LEAK PART No.	NOTES
	OHMS	WATT				
R6	120K					
R7	10K					
R8	2.2meg					
R9	4700Ω					
R10	330K					
R11	2.2meg					
R12	1.8meg					
R13	50meg					
R14	50meg	1				
R15	1.8meg	1				
R16	50meg	1				
R17	2.2meg	1				
R18	50meg	1				
R19	50meg	1				
R20	1.8meg	1				
R21	50meg	1				
R22	470K					
R23	4.7meg					
R24	50meg	1				
R25	50meg					
R26	4.7meg					
R27	50meg					
R28	50meg					
R29	50meg					
R30	50meg					
R31	50meg					
R32	50meg					
R33	50meg					
R34	4700Ω					
R35	47K					
R36	20K					
R37	20K					
R38	10K					
R39	2.2meg					
R40	2.2meg					
R41	2.2meg					
R42	100K					

## MISCELLANEOUS

ITEM No.	PART NAME	LEAK PART No.	NOTES
M1	Lamp		
M2	Switch		
M3	Switch		6-8V Input Selector, Rotary, Wafer Type Filter, Rotary, Wafer Type

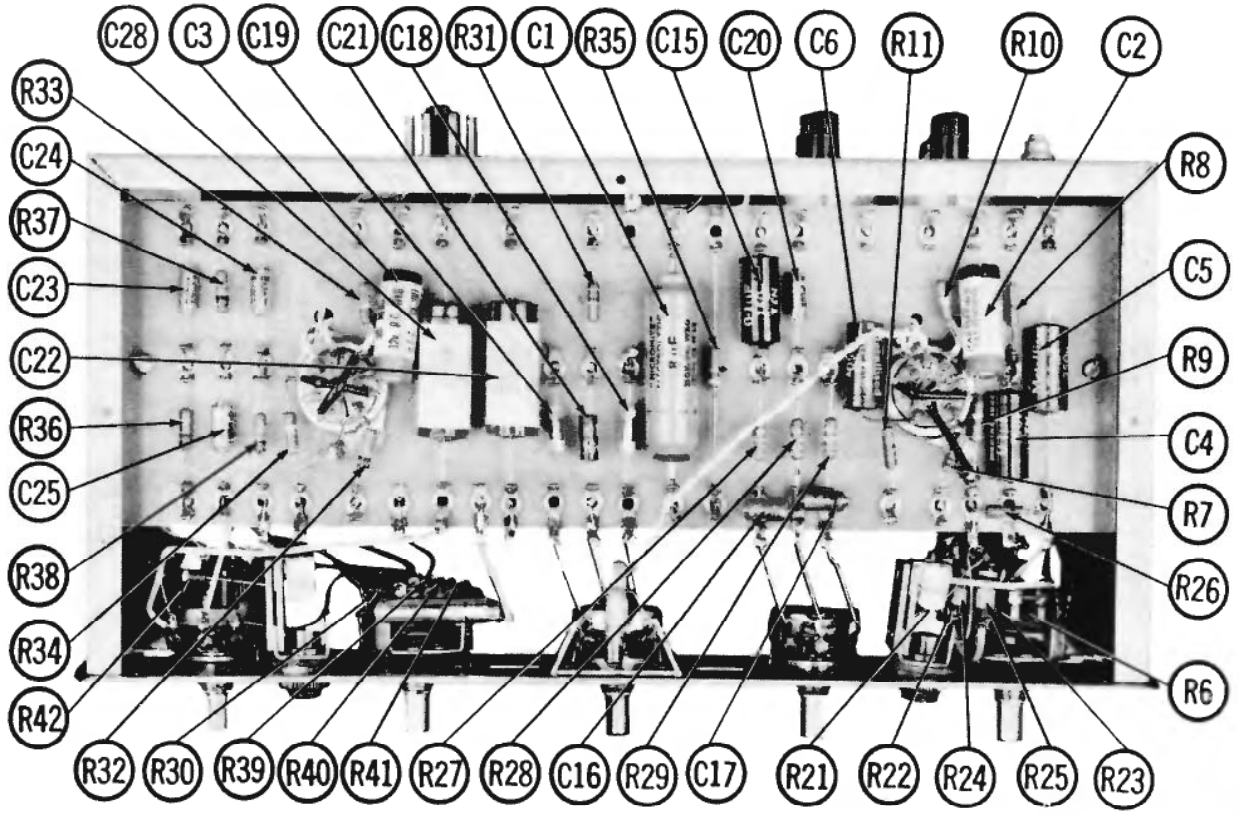
## CABINETS & CABINET PARTS

(When Ordering Cabinets & Cabinet Parts, Specify Model, Chassis & Color)

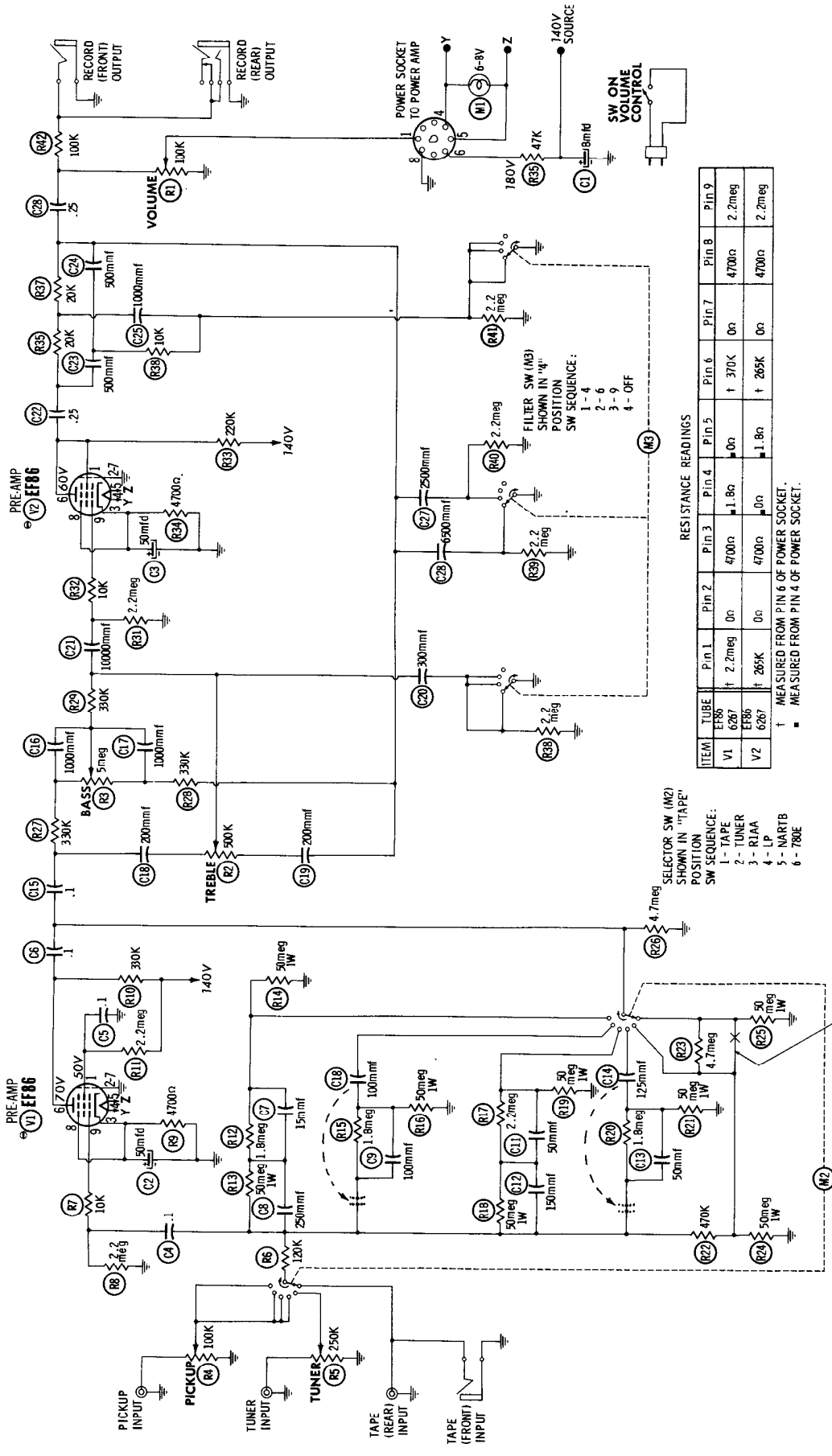
## WIRING DATA

General-use Unshielded Hook-up Wire ..... Use BELDEN No. 8530 (Solid) Available in Ten Colors  
8524 (Stranded) Available in Ten Colors

## CHASSIS—BOTTOM VIEW



LEAK MODEL  
"Point-one Plus"



RESISTANCE READINGS

ITEM	TUBE	Pin 1	Pin 2	Pin 3	Pin 4	Pin 5	Pin 6	Pin 7	Pin 8	Pin 9
V1	EF86	± 2.2meg	0Ω	4700Ω	± 1.8Ω	0Ω	± 370K	0Ω	4700Ω	2.2meg
V2	EF86	± 265K	0Ω	4700Ω	0Ω	± 1.8Ω	± 265K	0Ω	4700Ω	2.2meg

† MEASURED FROM PIN 6 OF POWER SOCKET.  
 ■ MEASURED FROM PIN 4 OF POWER SOCKET.

1. DC voltage measurements taken with vacuum tube volt meter.
2. Socket connections are shown as bottom views.
3. Measured values are from socket pin to common negative.
4. Nominal tolerance on component values makes possible a variation of ±15% in voltage and resistance readings.
5. Volume control at maximum. no signal applied for voltage measurements.

TO INCREASE THE SENSITIVITY OF THE TAPE REPLAY INPUT FOR MIC OPERATION, CUT WHITE WIRE ON INPUT SWITCH

⊙ SEE PARTS LIST FOR ALTERNATE VALUE OR APPLICATION  
 DC COIL RESISTANCE VALUES UNDER ONE OHM NOT SHOWN ON SCHEMATIC DIAGRAM

▲ PHOTOFACT STANDARD NOTATION SCHEMATIC  
 ©Howard W. Sams & Co., Inc. 1959