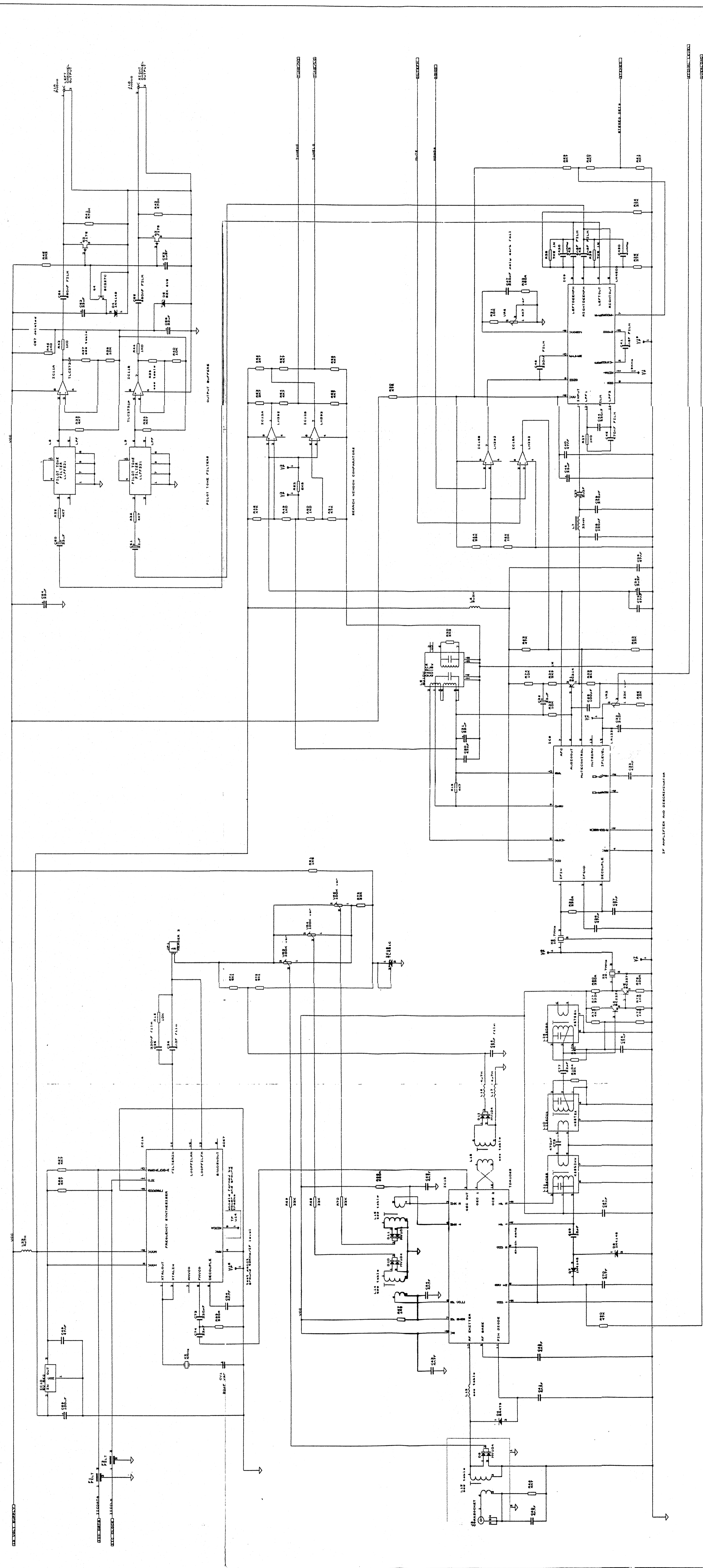


FUNCTIONAL NUMBER	TYPE	PACKAGE	MANUFACTURER	REMARKS
000001	74100	100	100	
000002	74101	100	100	
000003	74102	100	100	
000004	74103	100	100	
000005	74104	100	100	
000006	74105	100	100	
000007	74106	100	100	
000008	74107	100	100	
000009	74108	100	100	
000010	74109	100	100	
000011	74110	100	100	
000012	74111	100	100	
000013	74112	100	100	
000014	74113	100	100	
000015	74114	100	100	
000016	74115	100	100	
000017	74116	100	100	
000018	74117	100	100	
000019	74118	100	100	
000020	74119	100	100	
000021	74120	100	100	
000022	74121	100	100	
000023	74122	100	100	
000024	74123	100	100	
000025	74124	100	100	
000026	74125	100	100	
000027	74126	100	100	
000028	74127	100	100	
000029	74128	100	100	
000030	74129	100	100	
000031	74130	100	100	
000032	74131	100	100	
000033	74132	100	100	
000034	74133	100	100	
000035	74134	100	100	
000036	74135	100	100	
000037	74136	100	100	
000038	74137	100	100	
000039	74138	100	100	
000040	74139	100	100	
000041	74140	100	100	
000042	74141	100	100	
000043	74142	100	100	
000044	74143	100	100	
000045	74144	100	100	
000046	74145	100	100	
000047	74146	100	100	
000048	74147	100	100	
000049	74148	100	100	
000050	74149	100	100	
000051	74150	100	100	
000052	74151	100	100	
000053	74152	100	100	
000054	74153	100	100	
000055	74154	100	100	
000056	74155	100	100	
000057	74156	100	100	
000058	74157	100	100	
000059	74158	100	100	
000060	74159	100	100	
000061	74160	100	100	
000062	74161	100	100	
000063	74162	100	100	
000064	74163	100	100	
000065	74164	100	100	
000066	74165	100	100	
000067	74166	100	100	
000068	74167	100	100	
000069	74168	100	100	
000070	74169	100	100	
000071	74170	100	100	
000072	74171	100	100	
000073	74172	100	100	
000074	74173	100	100	
000075	74174	100	100	
000076	74175	100	100	
000077	74176	100	100	
000078	74177	100	100	
000079	74178	100	100	
000080	74179	100	100	
000081	74180	100	100	
000082	74181	100	100	
000083	74182	100	100	
000084	74183	100	100	
000085	74184	100	100	
000086	74185	100	100	
000087	74186	100	100	
000088	74187	100	100	
000089	74188	100	100	
000090	74189	100	100	
000091	74190	100	100	
000092	74191	100	100	
000093	74192	100	100	
000094	74193	100	100	
000095	74194	100	100	
000096	74195	100	100	
000097	74196	100	100	
000098	74197	100	100	
000099	74198	100	100	
000100	74199	100	100	

DRAWING NUMBER: 100-100-100-100  
 DATE: 10/10/10  
 DESIGNED BY: 100-100-100-100  
 CHECKED BY: 100-100-100-100  
 APPROVED BY: 100-100-100-100  
 REVISIONS: 100-100-100-100



RADIO ELECTRONICS CORP.   
 4500 12th St. S.E.   
 Bellevue, Wash.   
 Phone BR 7-2000   
 Copyright © 1965

CHANGE NOTE 101483 REVISIONS TO THE ORIGINAL DRAWING  
 DATE 10/28/65 BY 101483/101483

REVISION NUMBER	DESCRIPTION	DATE	BY	APP'D
001	ORIGINAL DESIGN	10/28/65	101483/101483	
002	REVISION TO THE ORIGINAL DESIGN	10/28/65	101483/101483	
003	REVISION TO THE ORIGINAL DESIGN	10/28/65	101483/101483	
004	REVISION TO THE ORIGINAL DESIGN	10/28/65	101483/101483	
005	REVISION TO THE ORIGINAL DESIGN	10/28/65	101483/101483	
006	REVISION TO THE ORIGINAL DESIGN	10/28/65	101483/101483	

APPROVED FOR RELEASE UNDER E.O. 13526, SECTION 1.4