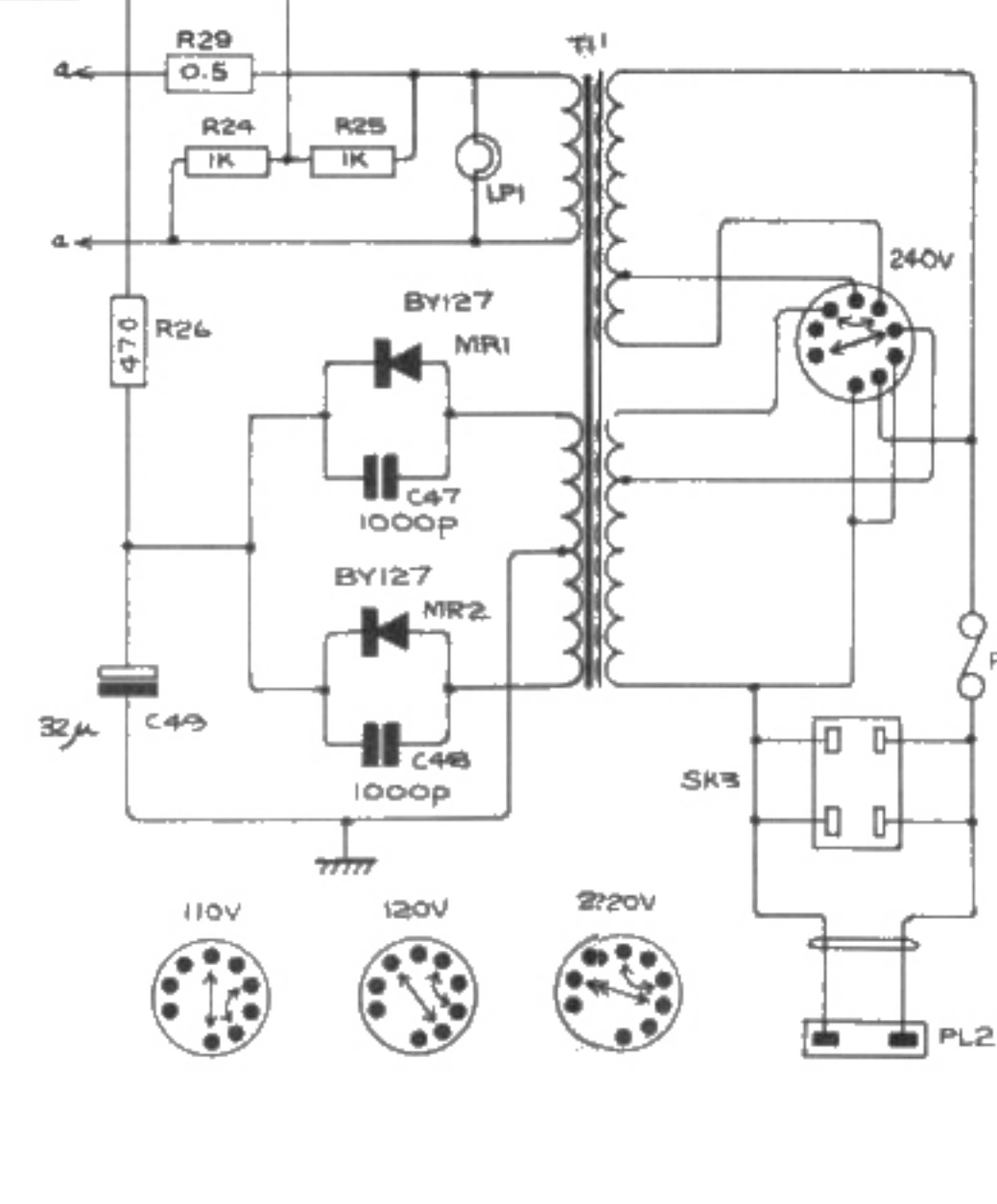


AN ADDITIONAL CONTACT IS FITTED TO THE REAR OF S1B, D&E WHICH EARTHS THE UNUSED TUNED WINDINGS.

REF	VALUE	TOL	MAKERS	REFERENCE	STOCK No.	REF	VALUE	TOL	MAKERS	REFERENCE	STOCK No.	REF	VALUE	TOL	MAKERS	REFERENCE	STOCK No.	
R1	53	±10%	ISKRA	UPM 1/4W	314/R	C11	10/40p		STARTITE	10 S-TRIKO 07 10/40 D90	554/N	R29	0.5					334/A
R2	100K	±10%	ISKRA	UPM 1/4W	200/R	C12	10/40p		STARTITE	10 S-TRIKO 07 10/40 D90	554/N	R24	1K					334/A
R3	180	±10%	ISKRA	UPM 1/4W	290/D	C13	10/40p		STARTITE	10 S-TRIKO 07 10/40 D90	554/N	R25	1K					334/A
R4	4.7K	±10%	ISKRA	UPM 1/2W	240/F	C14	33p ±5%	350V	LEMCO	7x3mm	527/N	R26	470					442/R
R5	100K	±10%	ISKRA	UPM 1/4W	200/R	C15	0.1μ ±20%	250V	HUNTS	BD16	501/R	R27	180	±10%	ISKRA	UPM 1/4W	290/D	554/N
R6	33	±10%	ISKRA	UPM 1/4W	314/R	C16	528p		ACOUSTICAL	DRG. No. A11490 1552 WITH C5 & C29	554/N	R28	56K	±10%	ISKRA	UPM 1/4W	204/R	554/N
R7	18K	±10%	ERIE	10ARD	220/R	C17	100p ±10%	350V	LEMCO	7x5mm	527/N	R29	0.5	±5%	AMC	3W	334/A	
R8	47K	±10%	ISKRA	UPM 1/4W	208/F	C18	180p ±2%	125V	LEMCO	7x5mm	527/N	C1	10/40p		STARTITE	10 S-TRIKO 07 10/40 D90	554/N	
R9	150	±10%	ISKRA	UPM 1/4W	295/R	C19	0.1μ ±20%	250V	HUNTS	BD16	501/R	C2	10/40p		STARTITE	10 S-TRIKO 07 10/40 D90	554/N	
R10	47K	±10%	ISKRA	UPM 1/4W	208/F	C20	180p ±2%	125V	LEMCO	7x5mm	527/N	C3	10/40p		STARTITE	10 S-TRIKO 07 10/40 D90	554/N	
R11	4.7	±10%	ISKRA	UPM 1/4W	310/C	C21	47p ±5%	350V	LEMCO	7x4mm	527/N	C4	33p ±5%	350V	LEMCO	7x3mm	527/N	
R12	22K	±10%	DUBILIER	BTR	27/B	C22	180p ±2%	125V	LEMCO	7x5mm	527/N	C5	528p		ACOUSTICAL	DRG. No. A11490 1552 WITH C16 & C29	554/N	
R13	2.2M	±10%	ISKRA	UPM 1/4W	157/D	C23	510p ±2%	125V	LEMCO	7x6mm	527/N	C6	100p ±10%	350V	LEMCO	7x5mm	528/R	
R14	270K	±10%	ISKRA	UPM 1/4W	195/F	C24	4700p ±5%	125V	LEMCO	20x10mm	527/N	C7	0.1μ ±20%	250V	HUNTS	BD16	501/R	
R15	100K	±10%	ISKRA	UPM 1/4W	200/R	C25	10/40p		STARTITE	10 S-TRIKO 07 10/40 D90	554/N	C8	0.1μ ±20%	250V	HUNTS	BD16	501/R	
R16	2.2M	±10%	ISKRA	UPM 1/4W	157/D	C26	10/40p		STARTITE	10 S-TRIKO 07 10/40 D90	554/N	C9	0.1μ ±20%	500V	HUNTS	BD21	504/C	
R17	180	±10%	ISKRA	UPM 1/4W	290/D	C27	6/25p		STARTITE	10 S-TRIKO 07 6/25 D90	554/N	C10	16μ	250V	HUNTS	KDQ485H WITH C35 & C45	469/C	
R18	56K	±10%	ISKRA	UPM 1/4W	204/R	C28	68p		LEMCO	7x5mm	527/N							
R19	470K	±10%	ISKRA	UPM 1/4W	176/C	C29	528p		ACOUSTICAL	DRG. No. A11490 1552 WITH C5 & C16	554/N							
R20	27K	±10%	ISKRA	UPM 1/4W	210/D	C30	100p ±10%	350V	LEMCO	7x5mm	527/N							
R21	27K	±10%	ISKRA	UPM 1/4W	210/D	C31	0.1μ ±20%	500V	HUNTS	BD21	504/C							
R22	150K	±10%	ISKRA	UPM 1/4W	193/R	C32	4.8p ±5p		ERIE	PIOPR	547/R							
R23	15K	±10%	ISKRA	UPM 1/4W	224/C	C33	0.1μ ±20%	250V	HUNTS	BD16	501/R							
R24	1K	±10%	ISKRA	UPM 1/4W	258/K	C34	68p ±5%	350V	LEMCO	7x5mm	527/N							
R25	1K	±10%	ISKRA	UPM 1/4W	218/E	C35	180p ±2%	125V	LEMCO	7x5mm	527/N							
R26	470	±10%	ISKRA	UPM 1/2W	270/G	C36	0.1μ ±20%	250V	HUNTS	BD16	501/R							
R27	0.8K	±10%	ISKRA	UPM 1/4W	235/B	C37	4.7p ±5p		ERIE	PIOPR	547/R							
R28	470K	±10%	ISKRA	UPM 1/4W	176/C	C38	180p ±2%	125V	LEMCO	7x5mm	527/N							
R29	0.5	±5%	AMC	3W	334/A	C39	16μ	350V	HUNTS	KDQ485H WITH C10 & C45	469/C							
C1	10/40p		STARTITE	10 S-TRIKO 07 10/40 D90	554/N	C40	0.1μ ±20%	500V	HUNTS	BD21	504/C							
C2	10/40p		STARTITE	10 S-TRIKO 07 10/40 D90	554/N	C41	100p ±10%	350V	LEMCO	7x5mm	527/N							
C3	10/40p		STARTITE	10 S-TRIKO 07 10/40 D90	554/N	C42	22p ±5%	350V	LEMCO	7x3mm	544/R							
C4	33p ±5%	350V	LEMCO	7x3mm	527/N	C43	1800p ±5%	125V	LEMCO	10x5mm	515/G							
C5	528p		ACOUSTICAL	DRG. No. A11490 1552 WITH C16 & C29	554/N	C44	0.1μ		MULLARD	C296AC/100K	465/F							
C6	100p ±10%	350V	LEMCO	7x5mm	528/R	C45	16μ	350V	HUNTS	KDQ485H WITH C10 & C35	469/C							
C7	0.1μ ±20%	250V	HUNTS	BD16	501/R	C46	0.1μ ±20%	250V	HUNTS	BD16	501/R							
C8	0.1μ ±20%	250V	HUNTS	BD16	501/R	C47	1000p ±20%	750V	ERIE	RP K3000/AP/11	516/T							
C9	0.1μ ±20%	500V	HUNTS	BD21	504/C	C48	1000p ±20%	750V	ERIE	RP K3000/AP/11	516/T							
C10	16μ	250V	HUNTS	KDQ485H WITH C35 & C45	469/C	C49	32μ	275V	HUNTS	JP283AT	469/B							



QUAD AM 3 TUNER (European)

