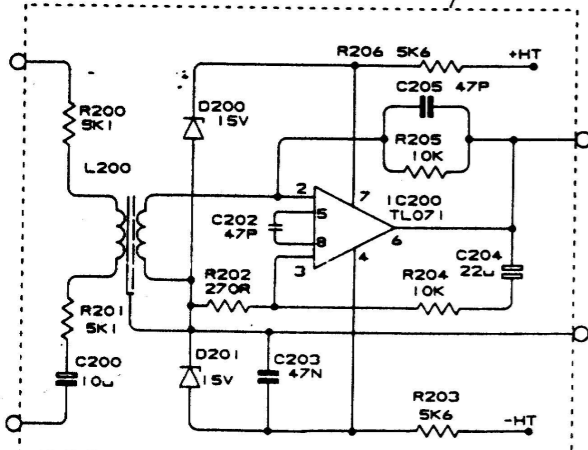
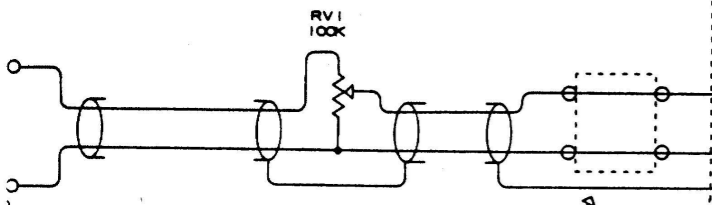
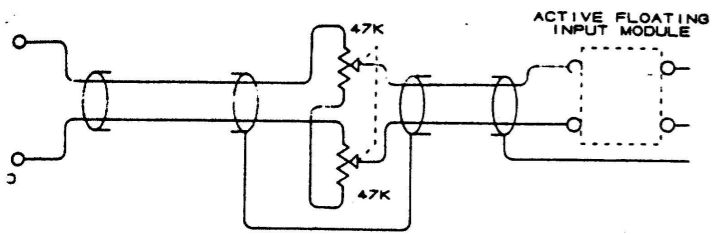
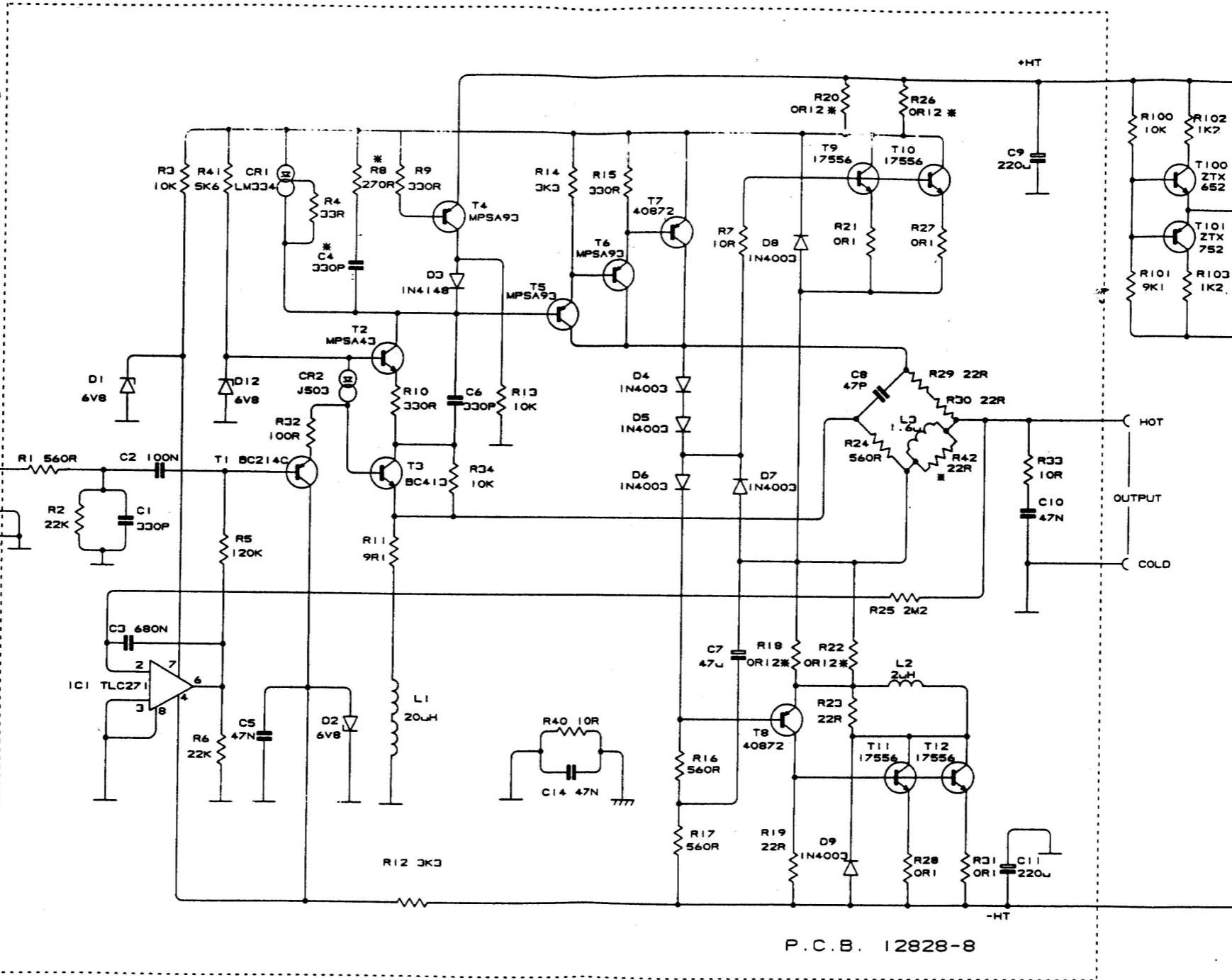


INPUT ATTENUATION ARRANGMENT FOR 5211



P.C.B. 12900-2

OPTIONAL ACTIVE FLOATING INPUT MODULE



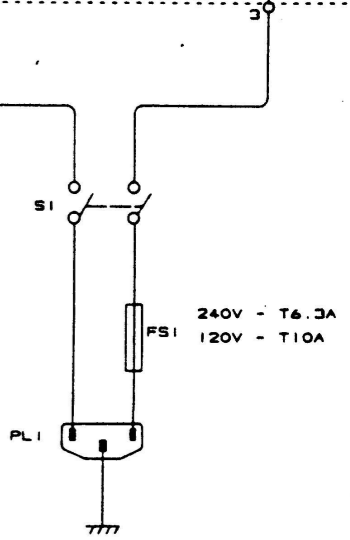
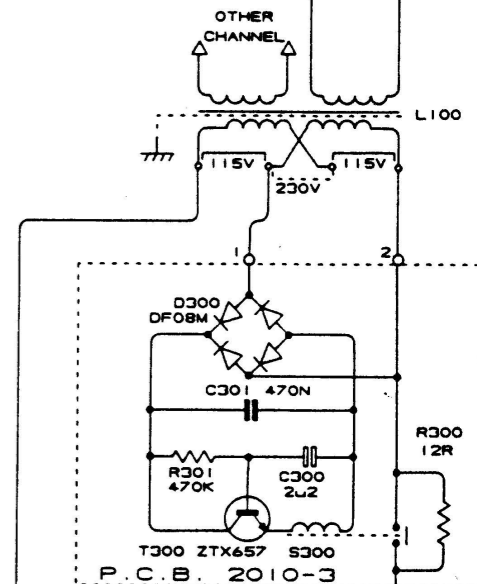
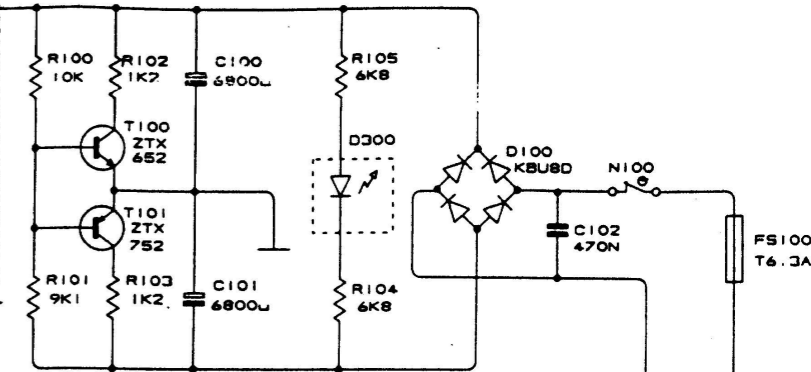
P.C.B. 12828-8

ONLY ONE CHANNEL SHOWN  
 17556 ALTERNATIVE - MJ15003  
 MPSA93 ALTERNATIVE - ZTX 542

\* VALUE SUBJECT TO CHANGE

CHANNEL 1 ⊥ NOT INTERNALLY CONNECTED TO ⊥ OF CHANNEL 2

**520f series**  
 Circuit diagram 2001-6.520  
 (pcb issue 12828-8)



240V - T6, 3A  
 FS1 120V - T10A

