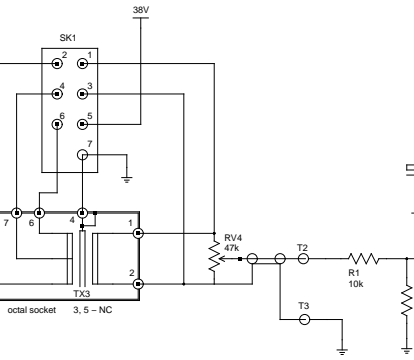
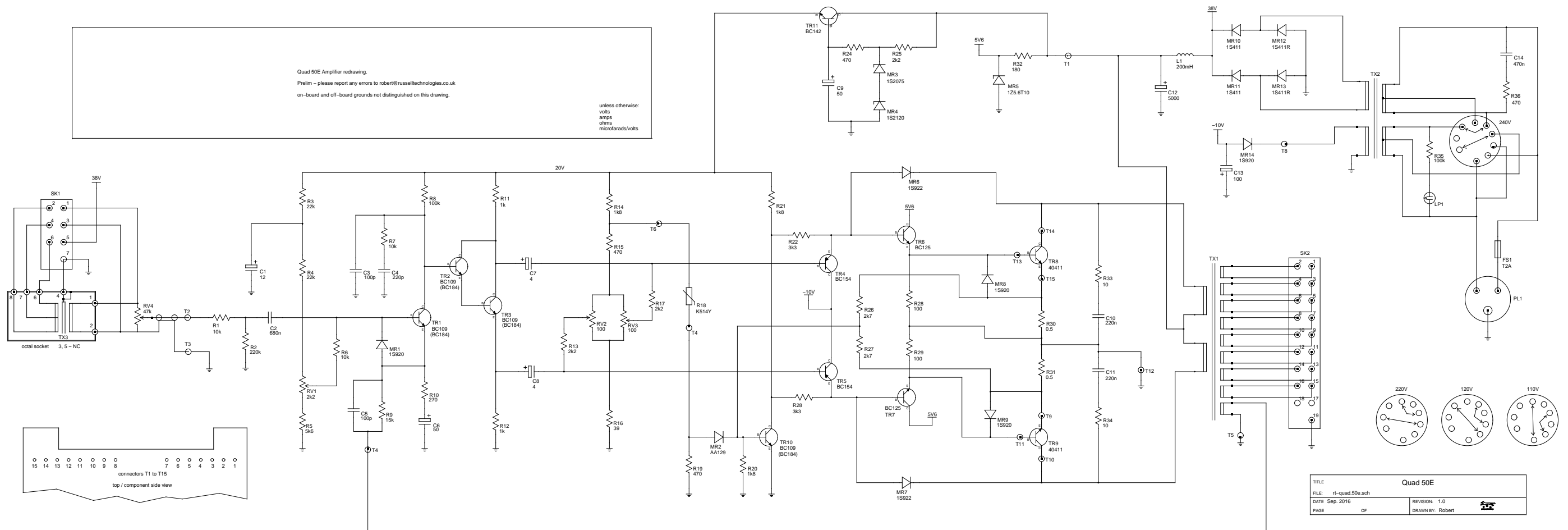


Quad 50E Amplifier redrawing.
 Prelim - please report any errors to robert@russelltechnologies.co.uk
 on-board and off-board grounds not distinguished on this drawing.

unless otherwise:
 volts
 amps
 ohms
 microfarads/volts



TITLE		Quad 50E	
FILE:	rt-quad.50e.sch	REVISION:	1.0
DATE:	Sep, 2016	DRAWN BY:	Robert
PAGE:	of		