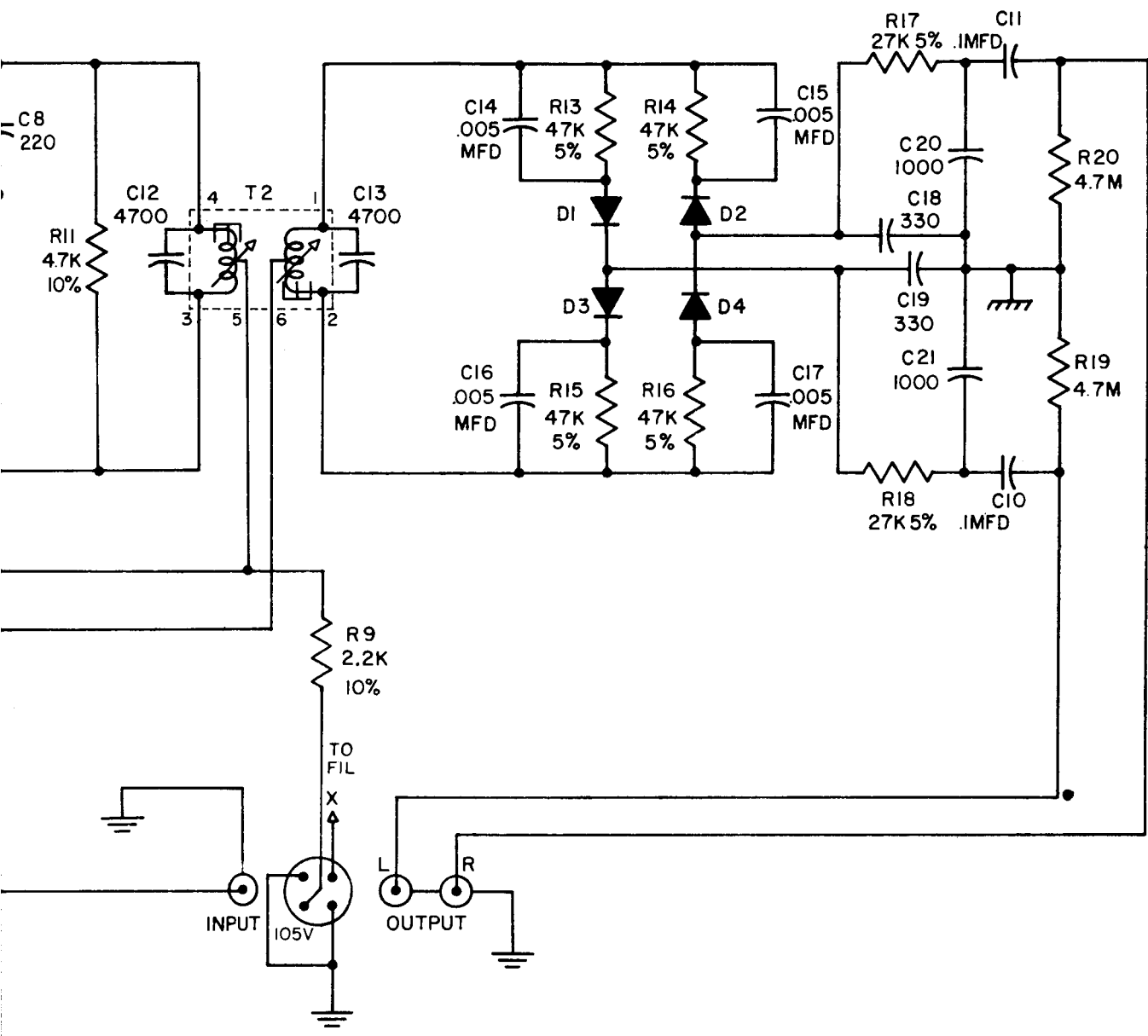


UNLESS OTHERWISE SPECIFIED

ALL RESISTORS $\frac{1}{2}$ W 20%

ALL CAPACITORS IN MMFD

USE CABLES SUPPLIED ONLY FOR CONNECTION TO MODEL MR-66 T



CONNECTION TO MODEL MR-66 TUNER

REVISIONS					
NO	DATE	BY			
1					
2					
3					
4					
5					

SCHEMATIC MA-6			
DRAWN BY	A.D.C.	SCALE	MATERIAL
CHK'D		DATE	11-20-61
TRACED		APP'D	
			DRAWING NO SC 134-102