

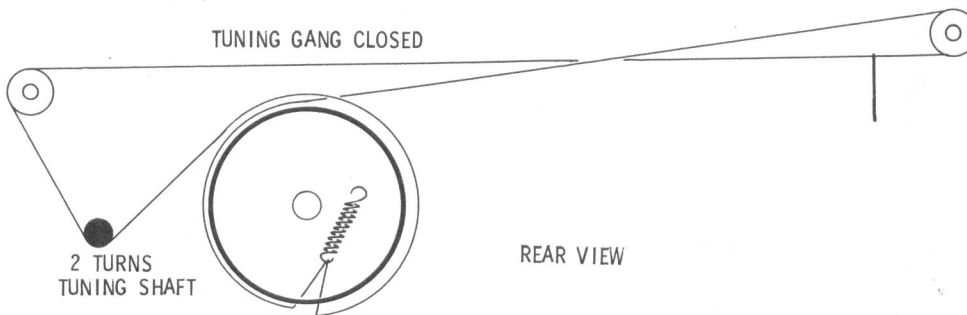
LEAK MODEL
Trough Line II



LEAK MODEL
Trough Line II

TRADE NAME	Leak Model Trough Line II		
IMPORTER	British Industries, Corp., 50 Shore Road, Port Washington, N. Y.		
TYPE SET	AC Operated 7 Tube FM Tuner		
POWER SUPPLY	110/117/124 Volts AC, 50-60 Cycles	RATING	37 Watts, .35 Amp. @117 Volts AC (On 117V tap)
TUNING RANGE - FREQ. MOD.	88 - 108MC		

DIAL CORD STRINGING

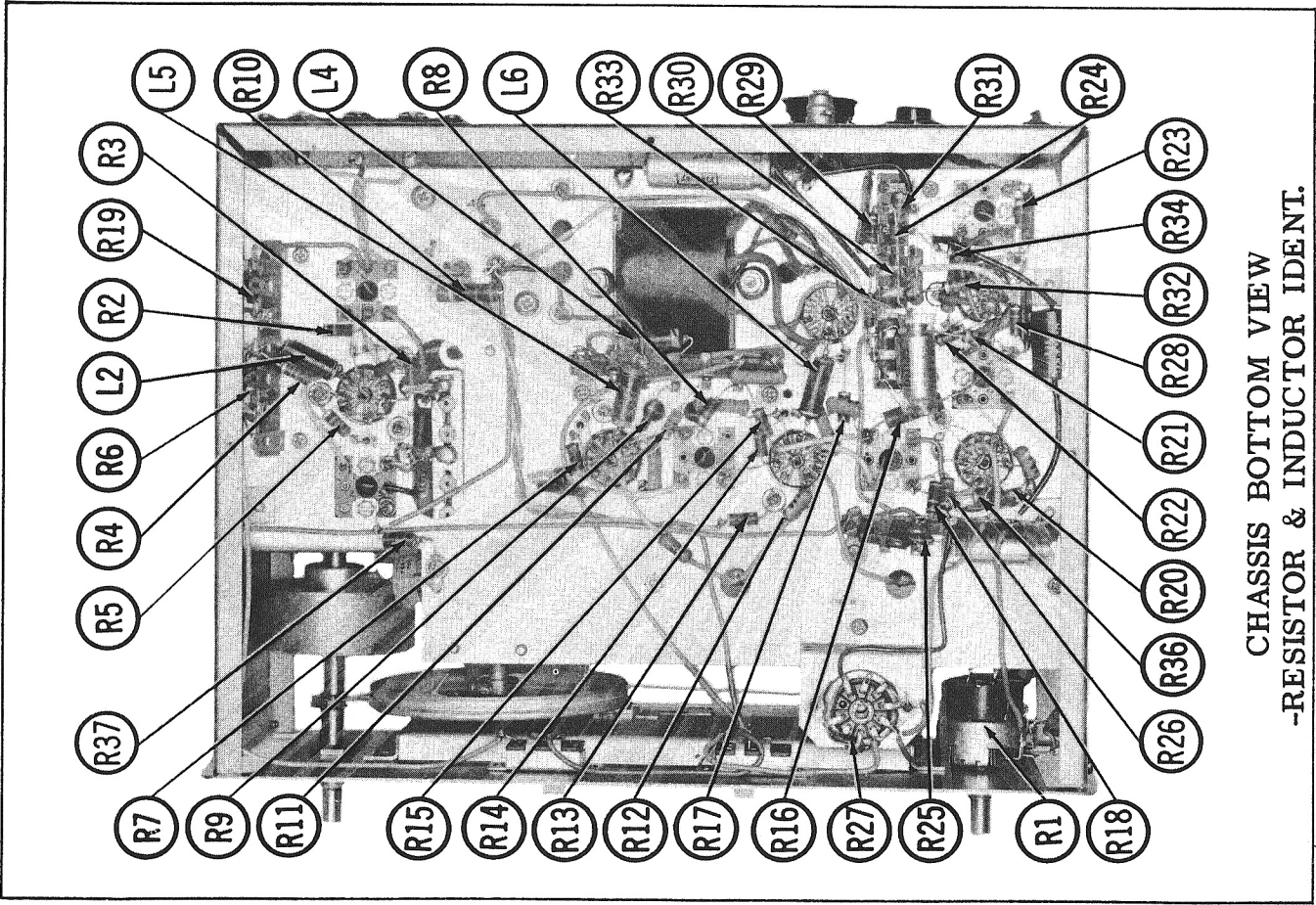


HOWARD W. SAMS & CO., INC. Indianapolis 6, Indiana

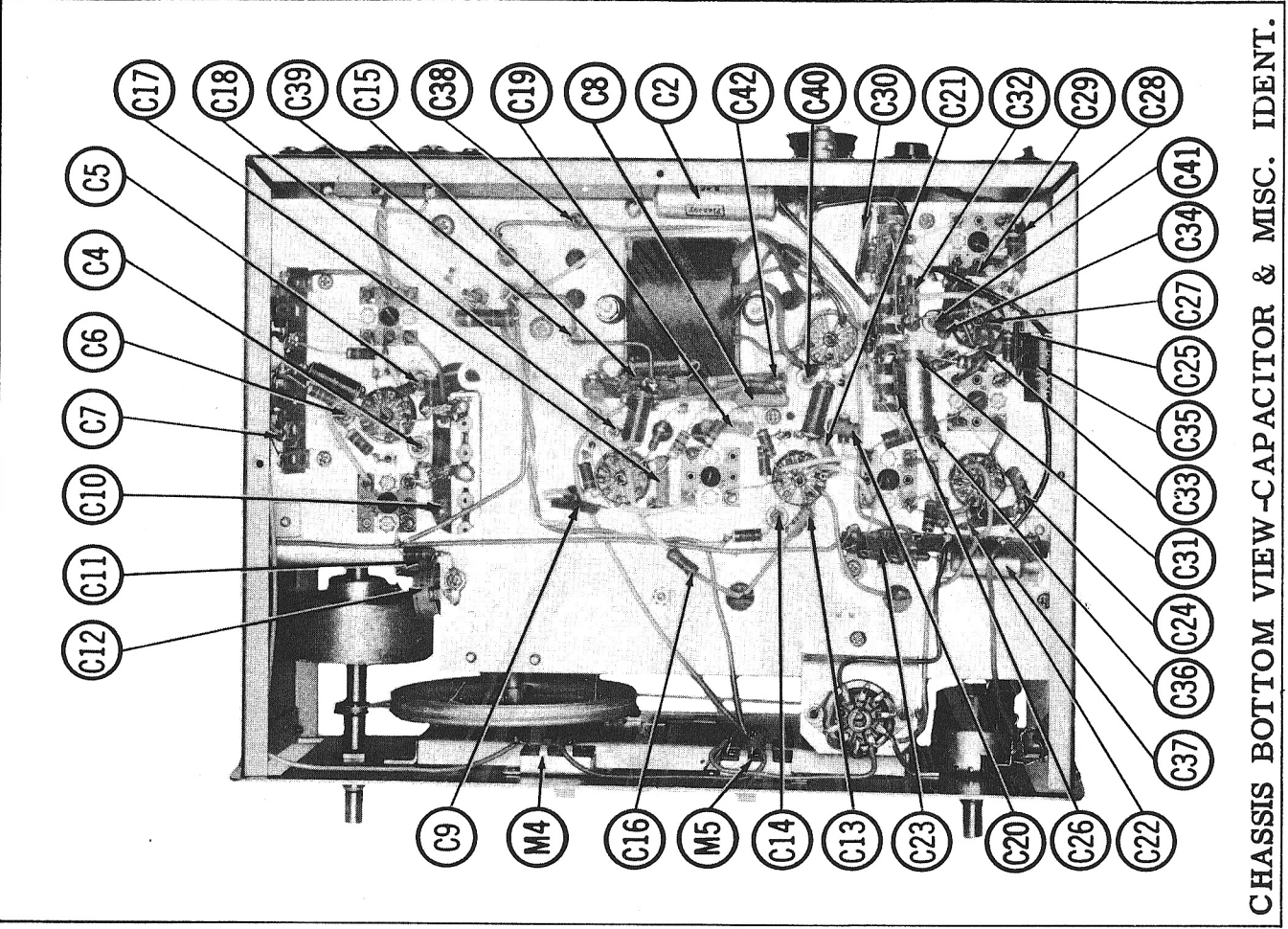
The listing of any available replacement part herein does not constitute in any case a recommendation, warranty or guaranty by Howard W. Sams & Co., Inc., as to the quality and suitability of such replacement part. The numbers of these parts have been compiled from information furnished to Howard W. Sams & Co., Inc., by the manufacturers of KJ509

the particular type of replacement part listed. Reproduction or use, without express permission, of editorial or pictorial content, in any manner, is prohibited. No patent liability is assumed with respect to the use of the information contained herein. © 1961 Howard W. Sams & Co., Inc., Indianapolis 6, Indiana. Printed in U.S. of America

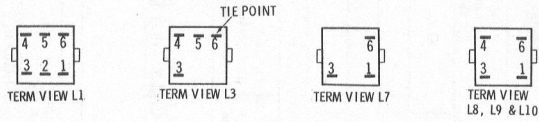
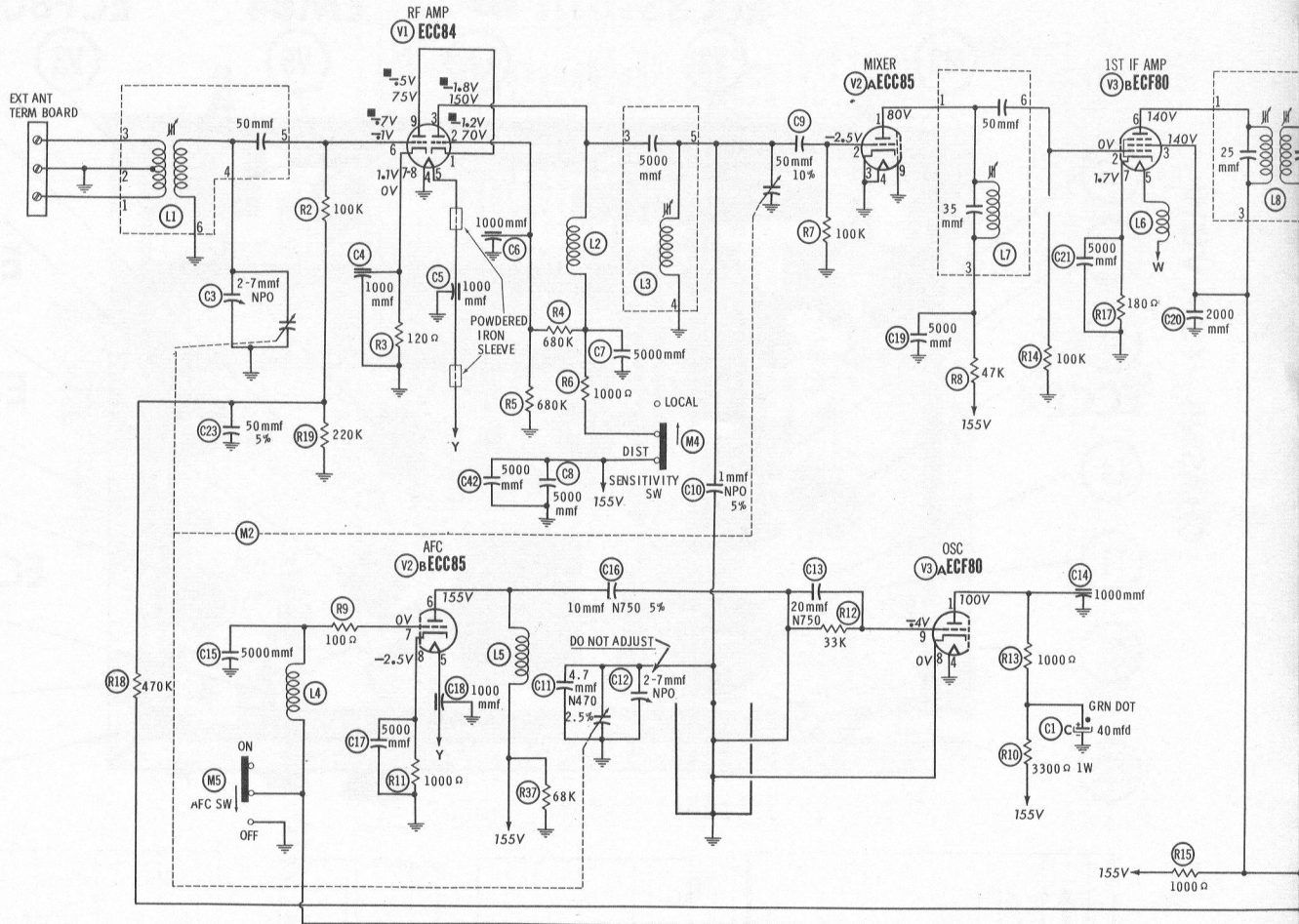




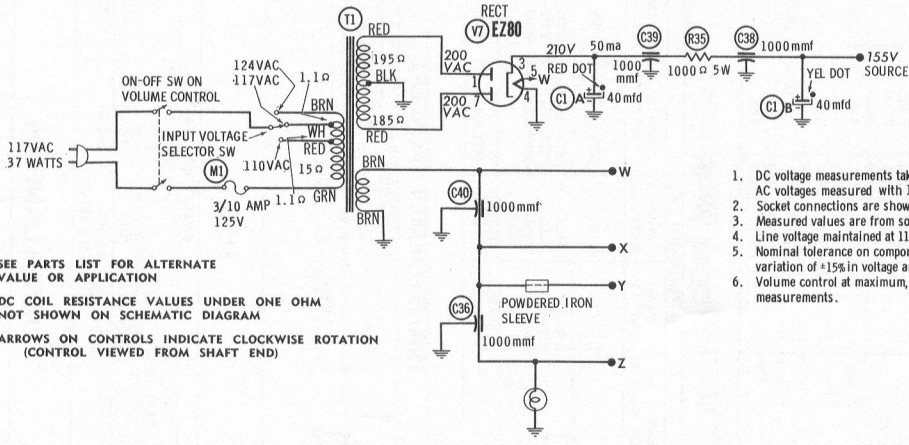
CHASSIS BOTTOM VIEW
 -RESISTOR & INDUCTOR IDENT.



CHASSIS BOTTOM VIEW -CAPACITOR & MISC. IDENT.



NUMBERS ASSIGNED TO COILS, SWITCHES, PLUGS, SOCKETS, AND TRANSFORMERS ARE TO FACILITATE CIRCUIT TRACING OR COMPONENT REPLACEMENT AND MAY NOT NECESSARILY BE FOUND ON THE UNIT.



● SEE PARTS LIST FOR ALTERNATE VALUE OR APPLICATION
 DC COIL RESISTANCE VALUES UNDER ONE OHM NOT SHOWN ON SCHEMATIC DIAGRAM
 ARROWS ON CONTROLS INDICATE CLOCKWISE ROTATION (CONTROL VIEWED FROM SHAFT END)

1. DC voltage measurements taken with vacuum tube voltmeter; AC voltages measured with 1000 ohm per volt voltmeter.
2. Socket connections are shown as bottom views.
3. Measured values are from socket pin to common ground.
4. Line voltage maintained at 117 volts for voltage readings.
5. Nominal tolerance on component values makes possible a variation of +15% in voltage and resistance readings.
6. Volume control at maximum, no signal applied for voltage measurements.

ITEM	TUBE	Pin 1	Pin 2
V1	ECC84	1NF	350K 680K
V2	ECC85	148K	100K
V3	ECF80	15300Ω	100K
V4	EF80	33Ω	100K
V5	EM84	3 meg	NC
V6	ECF80	111K	100K
V7	EZ80	195Ω	NC

ALL MEASUREMENTS MADE WITH "A"
 ● MEASURED WITH "AFC" IN "OFF"
 ■ MEASURED IN "LOCAL" POSITION

MANUFACTURER RECOMMENDS ALIGNMENT NOT BE ATTEMPTED UNLESS SPECIAL EQUIPMENT IS AVAILABLE

PARTS LIST AND DESCRIPTIONS

WIRING DATA

General-use Unshielded Hook-up Wire Use BILDEN No. 8530 (Solid) Available in Ten Colors
 Power Cord Use BILDEN No. 8524 (Stranded) Available in Ten Colors
 Use BILDEN No. 1765-B (6 Ft. Length) 1125-K (7 1/2 Ft. Length)

TUBES

ITEM No.	USE	GENERAL ELECTRIC		RAYTHEON		SYLVANIA	
		TYPE	ITEM No.	USE	TYPE		
V1	RF Amplifier	ECC84	V5	Tuning Indicator	EM83		
V2	Mixer-AFC	ECC85	V6	Limiter-Cath. Follower	ECF80		
V3	Osc.-1st IF Amp.	ECF80	V7	Rectifier	EZ80		
V4	2nd IF Amplifier	EF80					

ELECTROLYTIC CAPACITORS

ITEM No.	RATING CAP. VOLT.	LEAK PART No.	REPLACEMENT DATA				NOTES	
			AEROVOX PART No.	CORNELL-DUBILIER PART No.	MALLOY PART No.	SPRAGUE PART No.		
C1A	B 40	300	AFH4-02	E0260	FE327-89	TMMD-2315	TYL-2575	
B	Y 40	300		BR4035		TD-40-350	TYA-1611	
C	G 40	300					TYA-1611	
C2	B 8	350		BR835	TC61	TD-8-350	TYA-1603	Note 1

Note 1. Not used in some versions.

FIXED CAPACITORS

Capacity values given in the rating column are in mfd. for Paper Capacitors, and in mmfd. for Mica and Ceramic Capacitors.

ITEM No.	RATING	REMARKS	REPLACEMENT DATA						
			AEROVOX PART No.	CENTRALAB PART No.	CORNELL-DUBILIER PART No.	ELEMENCO PART No.	MALLOY PART No.	SPRAGUE PART No.	
C3	2-7 NPO			822-EZ					
C4	1000		EF-001	MFT-1000			CCF-102	CT380A	
C5	1000		EF-001	MFT-1000			CCF-102	CT380A	
C6	1000		EF-001	MFT-1000			CCF-102	CT380A	
C7	5000		SI 5000	D6-502			CCD-5000	B-250	5HK-D50
C8	5000		1469-00005	D6-502			CCD-502	B-250	5HK-D50
C9	50 10%		NPO-SI 1.0	TCZ-50			CM-19B-500K	MCP225	MS-45
C10	1 NPO 5%			TCZ-50					107CC-V10
C11	4.7 M470 2.5%			TCZ-1					

FIXED CAPACITORS (cont)

ITEM No.	RATING	REMARKS	REPLACEMENT DATA						
			AEROVOX PART No.	CENTRALAB PART No.	CORNELL-DUBILIER PART No.	ELEMENCO PART No.	MALLOY PART No.	SPRAGUE PART No.	
C12	2-7 NPO		NT50-SI 20	822-EZ					
C13	20 NT50		TCN-20						
C14	1000		EF-001	MFT-1000			C10Q2U	CCTN-200	CNT-420
C15	5000		SI 5000	D6-502			BYA10D5	CCF-102	CT280A
C16	10 NT50 5%		NT50-SI 10	TCN-10			C10Q1U	CCD-502	B-250
C17	5000		SI 5000	D6-502			BYA10D5	CCD-5000	B-250
C18	1000		EF-001	MFT-1000			BYA10D5	CCF-102	CT280A
C19	5000		SI 5000	D6-502			BYA10D5	CCD-502	B-250
C20	2000		SI 2000	D6-202			BYA10D5	CCD-502	B-250
C21	5000		1469-00005	D6-502			BYA10D5	CCD-502	B-250
C22	25 5%		1469-000025	TCZ-25			22R8Q25	CM-19B-250J	MCE225
C23	50 5%		1469-00005	TCZ-50			22R8Q25	CM-19B-500J	MCE225
C24	2000		SI 2000	TCZ-50			BYA10D2	CCD-202	B-220
C25	50 10%		1469-00005	TCZ-50			22R8Q25	CM-19B-500K	MCE225
C26	50 10%		1469-00005	TCZ-50			22R8Q25	CM-19B-500K	MCE225
C27	2000		SI 2000	D6-202			BYA10D2	CCD-202	B-220
C28	50 10%		1469-00005	TCZ-50			22R8Q25	CM-19B-500K	MCE225
C29	50 10%		1469-00005	TCZ-50			22R8Q25	CM-19B-500K	MCE225
C30	150 5%		1469-00015	TCZ-150			22R8T15	CM-19B-151J	MCE236
C31	1.1 150V		P288N-1	DP-104			CUB2P1	2DP-3-104	GEM-201
C32	3000		SI 3000	D6-502			BYA10D5	CCD-502	B-250
C33	3000		SI 3000	D6-502			BYA10D5	CCD-502	B-250
C34	3000		SI 3000	D6-502			BYA10D5	CCD-502	B-250
C35	.25 250V		P488N-25	D6-502			CUB4P25	4DP-5-254	GEM-4025
C36	1000		EF-001	MFT-1000			CFE-001	CFE-102	CT280A
C37	1.1 150V		P288N-1	DP-104			CUB2P1	2DP-3-104	GEM-201
C38	1000		EF-001	MFT-1000			CFE-001	CFE-102	CT280A
C39	1000		EF-001	MFT-1000			CFE-001	CFE-102	CT280A
C40	1000		EF-001	MFT-1000			CFE-001	CFE-102	CT280A
C41	1000		BPD-005	MFT-1000			DD-502	CCD-502	CT380A
C42	5000						BYA10D5	CCD-502	B-250

* Not normally in distributor's stock. Available thru distributor on order to manufacturer.

CONTROLS

ITEM No.	RATING	REPLACEMENT DATA							
		RESISTANCE	WATTS	LEAK PART No.	CENTRALAB PART No.	CLAROSTAT PART No.	CTS-IRC PART No.	MALLOY PART No.	INSTALLATION NOTES
RLA	50K				B-32	A47-500K-Z	BI3-123	U33	Volume
B	Shaft				Not Req.	RS-2	Not Req.	Not Req.	
C	Switch				KR-2	SWE-20	76-2	US-27	Power Off-On

PARTS LIST AND DESCRIPTIONS (Continued)

RESISTORS

All wattages 1/2 watt, or less, unless otherwise listed.

ITEM No.	REPLACEMENT DATA		ITEM No.	RATING	REPLACEMENT DATA	
	IRC PART No.	WORKMAN TV PART No.			IRC PART No.	WORKMAN TV PART No.
R2			R20	332		
R3	100K		R21	470K		
R4	1200		R22	47K		
R5	680K		R23	10K		
R6	680K		R24	680K		
R7	1000Ω		R25	10meg		
R8	100K		R26	3.3meg		
R9	47K		R27	1meg		
R10	1000		R28	100K		
R11	3300Ω 1W		R29	470K		
R12	1000Ω		R30	1meg		
R13	33K		R31	47K		
R14	100K		R32	10K		
R15	1000Ω		R33	1000Ω		
R16	10K 1W		R34	1000Ω 5W		Note 1
R17	1800		R35	100K		
R18	470K		R36	100K		
R19	220K		R37	68K		

Note 1. Not used in some versions.

COILS (RF-IF)

ITEM No.	USE	REPLACEMENT DATA			NOTES
		Leak Part No.	Merit Part No.	Stancor Part No.	
L1	Art. RF Choke (8th)		SW-630	4606	RTC-8517
L2	RF Choke (8th)		SW-630	4606	RTC-8517
L3	RF Choke (8th)		SW-630	4606	RTC-8517
L4	RF Choke (8th)		SW-630	4606	RTC-8517
L5	RF Choke (8th)		SW-630	4606	RTC-8517
L6	FIL. Choke (3rd)				
L7	1st IF		FM-256	1463-PC	RTC-9046
L8	2nd IF		FM-256	1463-PC	RTC-9046
L9	3rd IF				T854 T854

TRANSFORMER (POWER)

ITEM No.	RATING	REPLACEMENT DATA			NOTES
		Leak Part No.	Merit Part No.	Stancor Part No.	
T1	124V T ₂₀ 400VCT ①117V ③ ④117V ⑤ 35A T ₂₀ ⑥110V				
	SEC. 1 6.3V ④				
	SEC. 2 ①.050A 3A				
	DC				

FUSES

ITEM No.	TYPE	RATING	REPLACEMENT DATA		
			Leak Part No.	Holder	Fuse
M1		3/10A 125V		312.500 (3/10A 125V)	
			Holder	342001	AGC 1/2
			Holder		HKP

MISCELLANEOUS

ITEM No.	Part Name	Leak Part No.	Notes
M2	Tuning Cap		3 Gang
M3	Detector Ass'y.		Sensitivity (SPDT Slide Type)
M4	Switch		AFC (SPDT Slide Type)
M5	Switch		

CHASSIS—TOP VIEW

